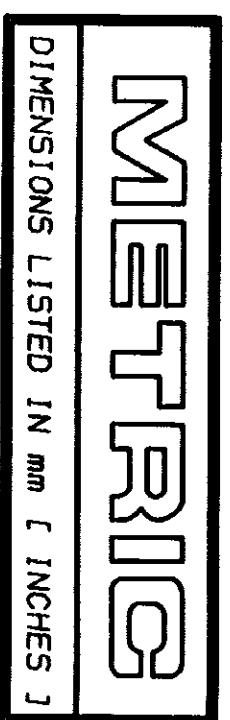
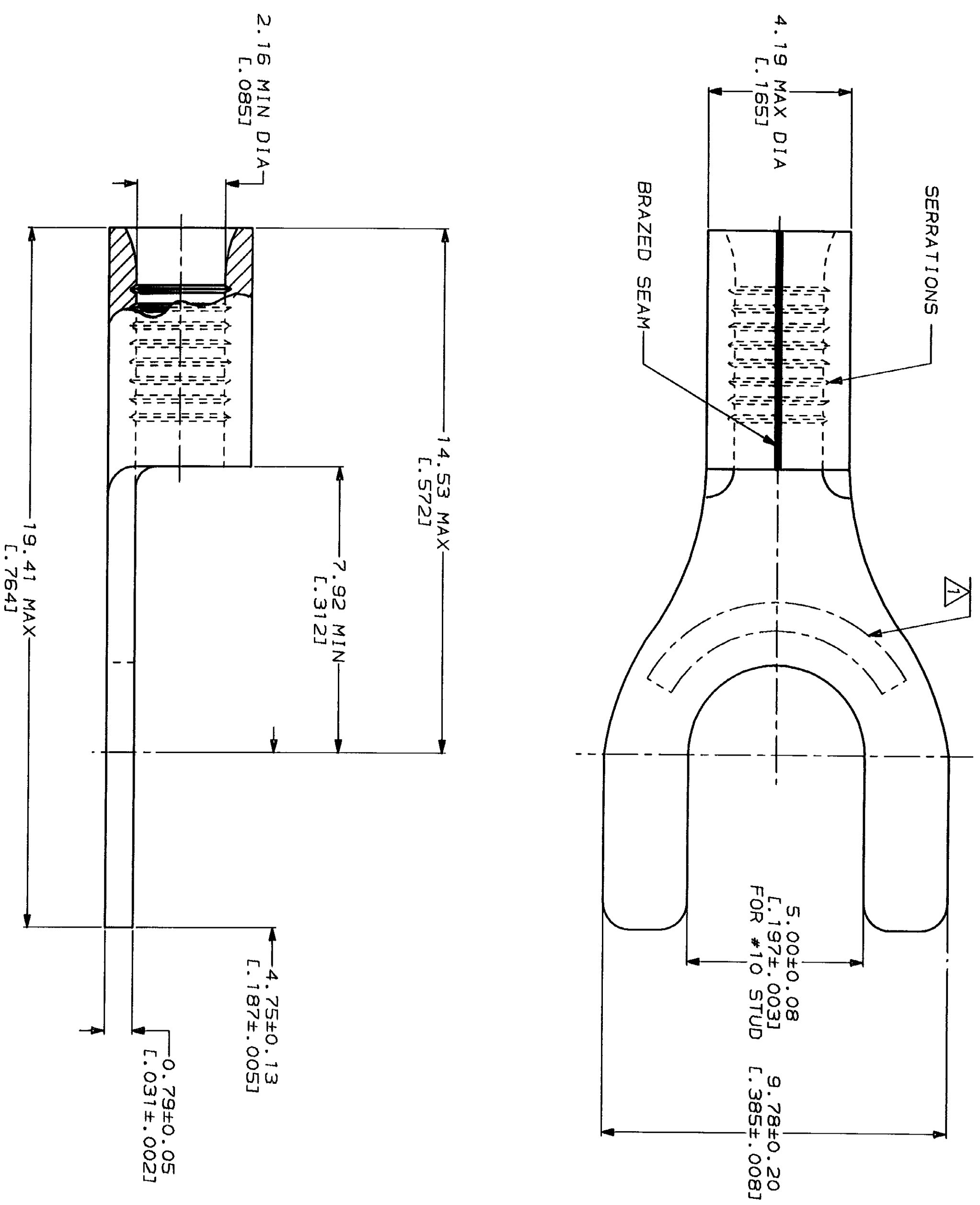


LOC	DIST	ZONE	LTR	DESCRIPTION	DATE	APPD
G	14	P	F	REV, RDRW, & SM PKG PER 0720-0040-93	3-25-93	18 DAP



AMP WIRE RANGE	UL E13288 Listed
16-14 AWG SOLID OR STRANDED	16-14 AWG SOLID OR STRANDED
LR7189 Certified	MILITARY P/N AND CLASS
16-14 AWG SOLID OR STRANDED	NOT APPLICABLE

△ STAMP AMP 16-14* APPROX AS SHOWN



QUANTITY	PACKAGE TYPE	PART NO
50	LOOSE PIECE, BAG	8-33219-5
100	LOOSE PIECE, BOX	8-33219-1
---	LOOSE PIECE	33219

AMP AMP Incorporated
 Harrisburg, PA 17105-3608

TERMINAL, SPADE
 TONGUE, SOLI STRAND™

AMP INCORPORATED
CUSTOMER SERVICE SYSTEMS

FOR ADDITIONAL PRODUCT INFORMATION OR COPIES OF DRAWINGS AND TECHNICAL DOCUMENTS
 1-800-522-6752

FOR APPLICATION TOOLS ASSISTANCE CENTER
 1-800-722-1111

FOR ORDER ENTRY
 1-800-526-5142

MAX RECOMMENDED OPERATING TEMPERATURE: 170°C MAX

VOLTAGE RATING: NOT APPLICABLE

WIRE CROSS SECTIONAL AREA RANGE: 1.04-2.62mm² [2,050-5,180] CIR MILS SOLID OR STRANDED

DO NOT SCALE PRINT. UNLESS SPECIFIED OTHERWISE IN -mm- ENGLISH- TOLERANCES ON:
 2 PLC DEC ±
 3 PLC DEC ±
 ANGLES

MATERIAL: COPPER PER ASTM B-152 ANNEALED

FINISH: TIN PLATE 0.00254 [L.000100] MIN THK PER MIL-T-10727

DR 3-26-93 TA BRINKMAN	APPD 3-26-93 DE MILLER	NAME
CHK 3-26-93 DA PATTERSON	APPD 3-26-93 JL MECKLEY	SIZE
	PRODUCT SPEC	CAGE CODE
	APPLICATION SPEC	DRAWING NO
	WEIGHT	SCALE 10:1

CUSTOMER DRAWING