

4

3

2

1

THIS DRAWING IS UNPUBLISHED.

RELEASED FOR PUBLICATION

20

© COPYRIGHT 20

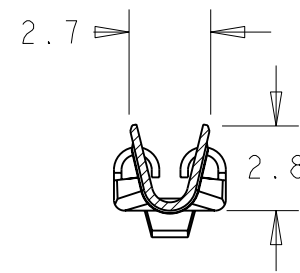
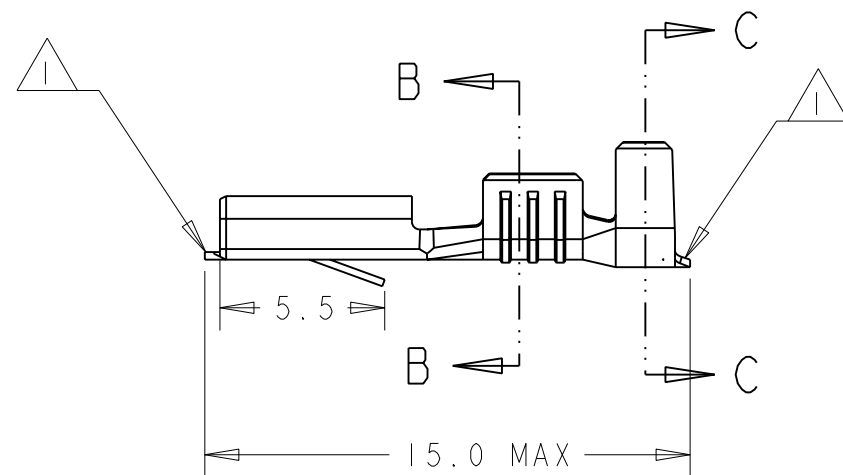
ALL RIGHTS RESERVED.

LOC  
B

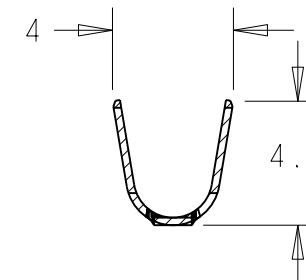
DIST  
E

REVISIONS

P	LTR	DESCRIPTION	DATE	DWN	APVD
	B	FIRST ISSUE	19/08/08	MJG	-
	B1	REVISED PER ECO-10-000444	09JAN10	KK	AEG
	B2	ECR-10-022530	17JUN2011	KK	HMR



SECTION B-B



SECTION C-C

NOTES:

- 1 MAX CUT OFF TAB 0.5mm
- 2. WIRE SIZE 0.5 - 1.5mm<sup>2</sup>
- 3. FOR FURTHER INFORMATION REFER TO DRAWING NO 160655
- 4. FOR USE WITH 0.8mm TAB
- 5 OBSOLETE PARTS: OBSOLETE CIS STREAMLINING PER D.RENAUD/D.SINISI

	TIN ELECTROPLATE	BRASS	160668-6
	SILVER ELECTROPLATE	BRASS	160668-5
OBSOLETE	PRE-TINNED (HOT DIPPED)	PHOSPHOR BRONZE	<del>160668-4</del>
		PHOSPHOR BRONZE	<del>160668-3</del>
	PRE-TINNED (HOT DIPPED)	BRASS	160668-2
5 OBSOLETE		BRASS	<del>160668-1</del>
	FINISH	MATERIAL	PART NO

THIS DRAWING IS A CONTROLLED DOCUMENT.		DWN M. GREENER 19AUG2008	<b>TE Connectivity</b>													
DIMENSIONS: mm		CHK J. AMBROSE 19AUG2008														
TOLERANCES UNLESS OTHERWISE SPECIFIED:		APVD J. AMBROSE 19AUG2008	NAME .110 SERIES FASTIN FASTON RECEPTACLE (LOOSE PIECE)													
<table border="0"> <tr><td>0 PLC</td><td>±0.5</td></tr> <tr><td>1 PLC</td><td>±0.5</td></tr> <tr><td>2 PLC</td><td>±0.5</td></tr> <tr><td>3 PLC</td><td>±0.5</td></tr> <tr><td>4 PLC</td><td>±0.5</td></tr> <tr><td>ANGLES</td><td>±0.5</td></tr> </table>		0 PLC	±0.5	1 PLC	±0.5	2 PLC	±0.5	3 PLC	±0.5	4 PLC	±0.5	ANGLES	±0.5	PRODUCT SPEC 108-20020	SIZE A3	
0 PLC	±0.5															
1 PLC	±0.5															
2 PLC	±0.5															
3 PLC	±0.5															
4 PLC	±0.5															
ANGLES	±0.5															
MATERIAL SEE TABLE		APPLICATION SPEC 114-3118	CAGE CODE 00779	DRAWING NO C-160668												
FINISH -		WEIGHT -	RESTRICTED TO -													
CUSTOMER DRAWING			SCALE 4:1	SHEET 1 OF 1												
			REV B2													