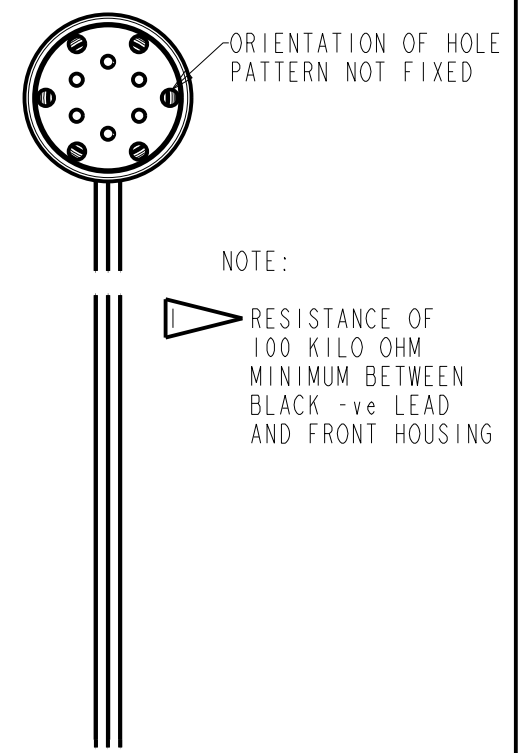
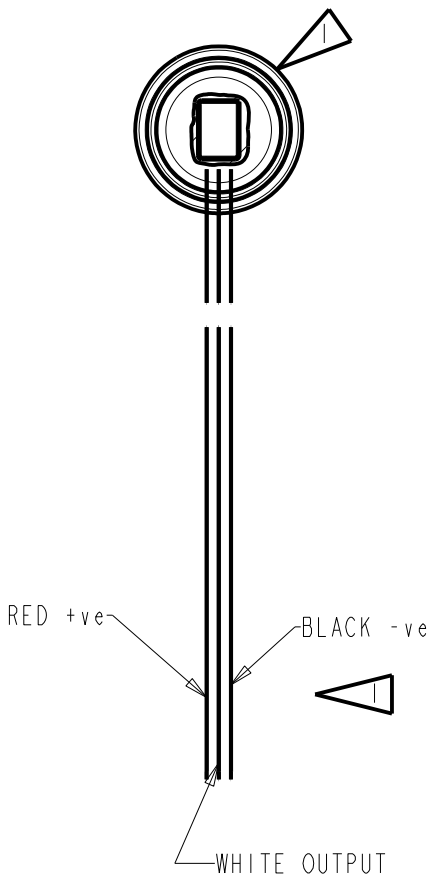
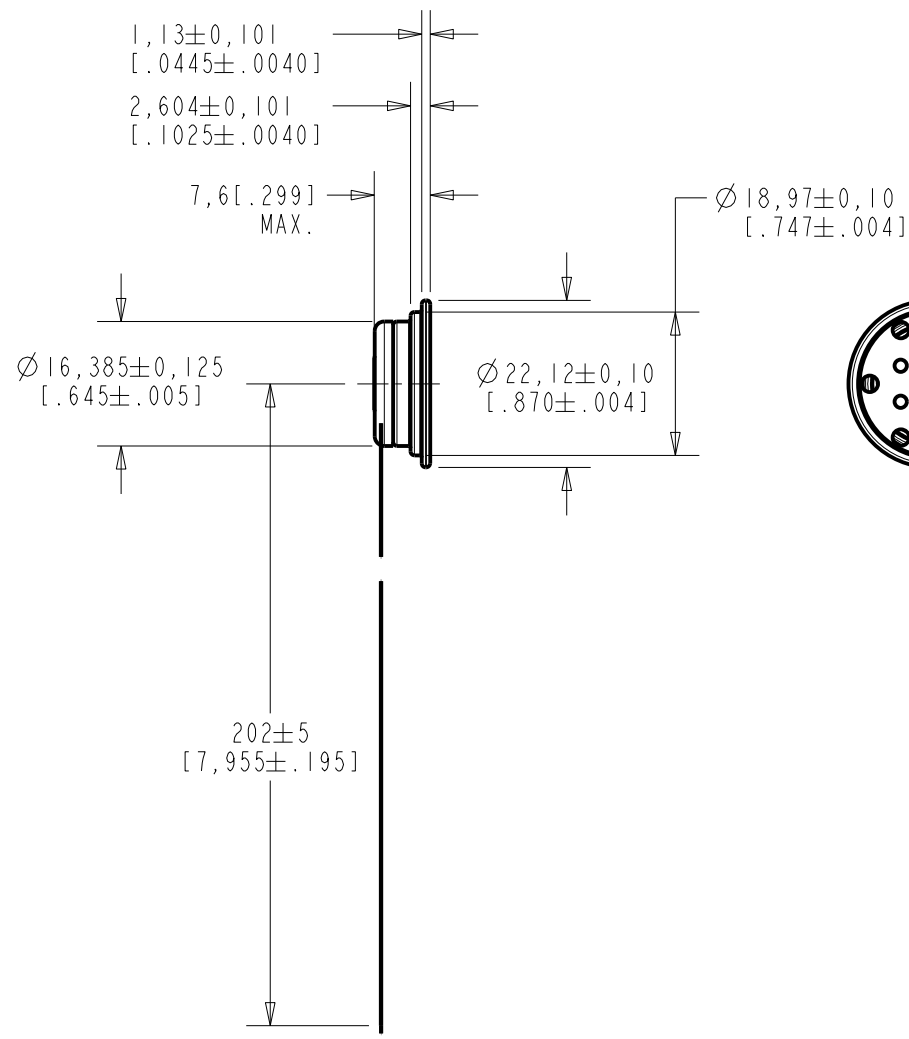


MR-28406-000
SHT 1.1

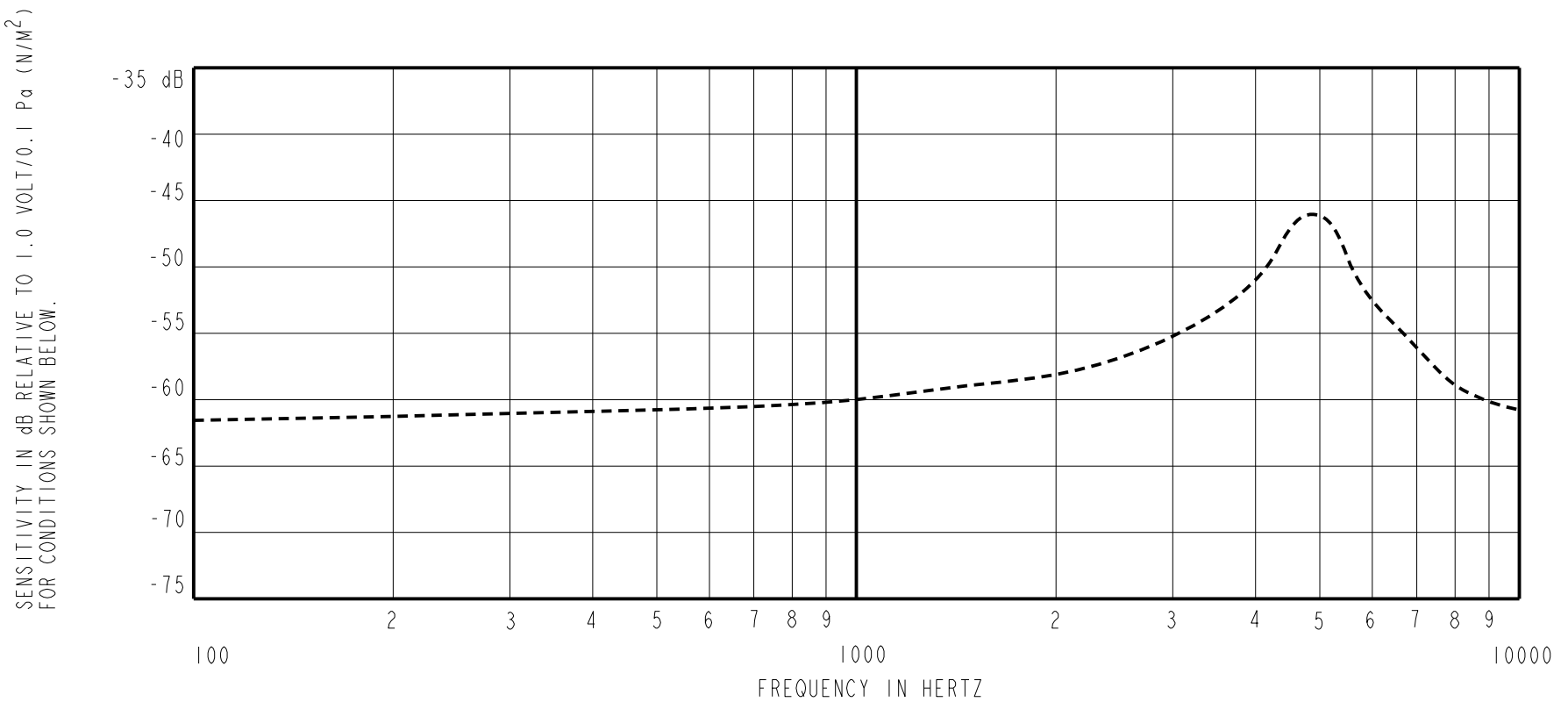


NOTE:
RESISTANCE OF 100 KILO OHM MINIMUM BETWEEN BLACK -ve LEAD AND FRONT HOUSING

DIMENSIONS IN MILLIMETERS [INCHES]

Revision	C.O. #	Implementation Date	RELEASE LEVEL	REVISION
B	MI0103544	2-23-10	Active	B
A	MI0101178	8-21-06		
SCALE: 1:1			DR. BY	DATE
DO NOT SCALE DRAWING			LSY	8-21-06
TITLE: WATERPROOF MICROPHONE			CK. BY	DATE
MR-28406-000			GJP	8-25-06
OUTLINE DRAWING			APP. BY	DATE
SHT 1.1			GJP	8-25-06

KNOWLES ELECTRONICS
ITASCA, ILLINOIS U.S.A.

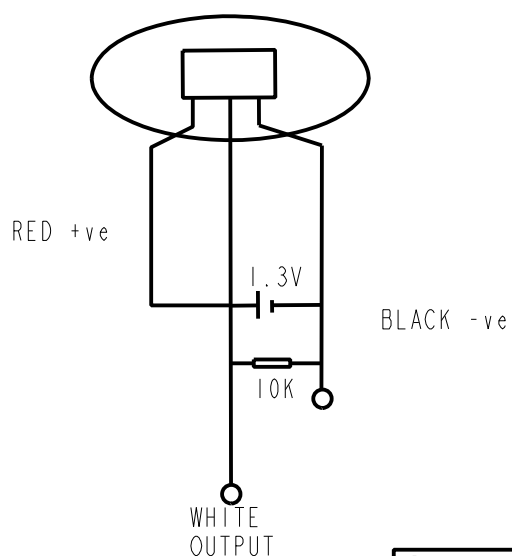


FREQUENCY	SENSITIVITY			DEVICE CONFORMITY	
	MIN.	NOM.	MAX.	RANGE OF DEVIATION FROM 1KHz	
100	---	-61.5	---	-4.0	+2.0
1000	-65.0	-60.0	-58.0	---	---
4700 APPROX	---	-47.0	---	+8.0	+20.0

NOTES:

- CASE OF MICROPHONE CONNECTED TO NEGATIVE BLACK LEAD.
- BELLOWS HOUSING INSULATED FROM MICROPHONE CASE.
- MICROPHONE TO BE FUNCTIONAL WITH 20 VDC SUPPLY.
- CONFORMS TO REQUIREMENTS SHOWN ON "ELECTRET MICROPHONE ENVIRONMENTAL QUALIFICATION TEST, BT-1759 SHEET 2.2.
- INDIVIDUAL SPECIFICATIONS.

LOAD RESISTANCE ON OUTPUT FOR SENSITIVITY OHMS	DC SUPPLY V	OUTPUT IMPEDANCE OHMS			AMPLIFIER CURRENT DRAIN uA MAX.	SENSITIVITY CHANGE ON REDUCING SUPPLY TO .9VDC	"A" WEIGHTED NOISE 1KHZ EQUIVALENT SPL dB SPL MAX
		MIN.	MOM.	MAX.			
10000	1.3	2000	3500	6000	50	3 dB MAX.	30



Revision	C.O. #	Implementation Date	RELEASE LEVEL	REVISION
B	M10103544	2-23-10	Active	B
A	M10101178	8-21-06		

KNOWLES ELECTRONICS
ITASCA, ILLINOIS U.S.A.

WHEN TEST LIMITS ARE USED TO ESTABLISH INCOMING INSPECTION ACCEPTANCE/REJECTION CRITERIA, CORRELATION OF TEST EQUIPMENT WITH KNOWLES IS ALSO REQUIRED FOR ELIMINATION OF EQUIPMENT AND TEST METHOD VARIATION

TITLE: **WATERPROOF MICROPHONE**
PERFORMANCE SPECIFICATION

MR-28406-000
SHT 2.1

DR. BY	DATE
LSY	8-21-06
CK. BY	DATE
GJP	8-25-06
APP. BY	DATE
GJP	8-25-06