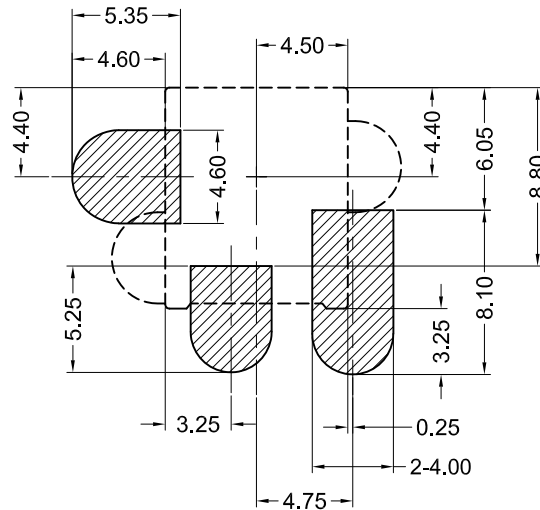


Schematic



Recommended PCB Layout (Top View)

**Material and Finish**

Housing: High Temp. material  
 UL94V-0, Color: Black  
 Center Pin: Copper, Nickel Plated  
 Contact #1: Brass, Silver Plated  
 Contact #2: Phosphor Bronze, Silver Plated  
 Contact #3: Brass, Silver Plated

**Electrical Characteristics**

Contact Resistance  
 Before Test  
 Between Terminals: 30 milliohms Max.  
 Plug to Contacts: 50 milliohms Max.  
 After Test:  
 Between Terminals: 60 milliohms Max.  
 Plug to Contacts: 100 milliohms Max.  
 Rated Voltage: 16V DC  
 Rated Current: 3.5 Amps  
 Insulation Resistance: 100 Megohms Min.  
 at 500V DC  
 Dielectric Withstanding Voltage:  
 500V AC for 1 minute

**Mechanical Characteristics**

Durability Test: 5000 cycles  
 Insertion Force: 0.3kg-3.0kg  
 Extraction Force: 0.3kg-3.0kg  
 Operating Temp: -25°C to +85°C



Tolerances
X.X ± 0.25
X.XX ± 0.15
Unless Stated Otherwise

REV.	DATE	DESCRIPTION	REV. BY	CHK. BY	DRAWN BY	DATE
A1	01/16/07	New Drawing	R. Aguirre	H. MA	R. Aguirre	01/16/07
A2	11/24/08	ECO #08-088	S. Vien	H. MA		
A3	08/20/10	ECO #10-058	S. Vien	H. MA		
A4	05/06/13	ECO #13-015	W. Cook	P. DalCanto	UNITS	mm
A5	06/20/13	ECO #13-041	W. Cook	P. DalCanto		
A6	08/03/18	Address Update	G. Serrato	D. Shehan		

KLDVX-SMT02-AKTTR

Power Jack, Vertical SMT with Kapton tape

TR Packaging, Ø2.0mm Center Pin, RoHS Compliant

