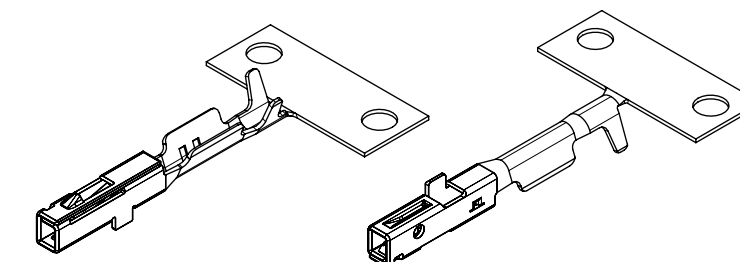


SECTION X-X
SCALE 20:1



NOTES: (UNLESS OTHERWISE SPECIFIED)

1. MATERIAL: COPPER ALLOY
2. PLATING: SEE TABLE 1
3. PACKAGING PER 313025040
4. CRIMPING PER AS-560023-001
5. PROBING THE CONTACT INTERFACE OF THE TERMINAL OR AT ANY POINT ON THE TERMINAL BEAM IS NOT PERMITTED

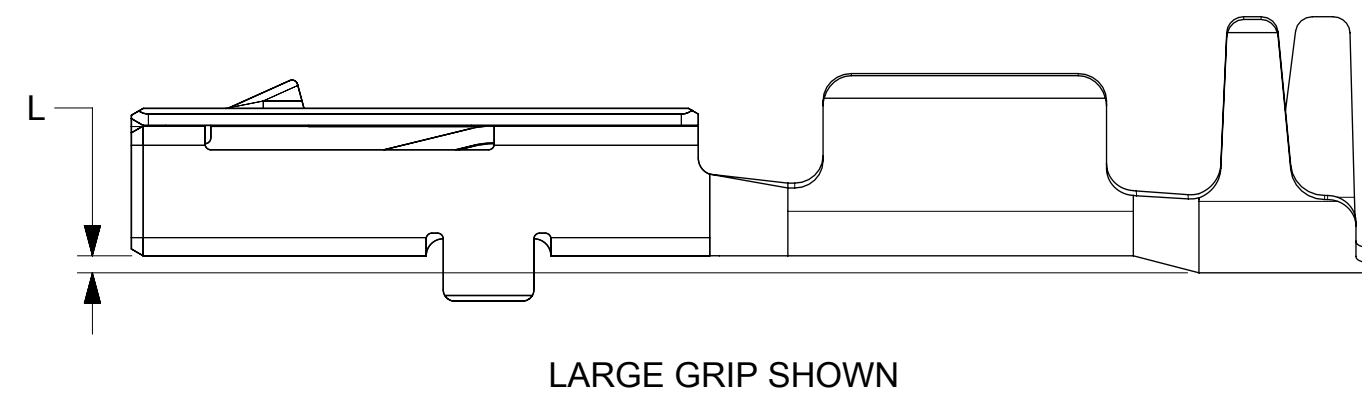
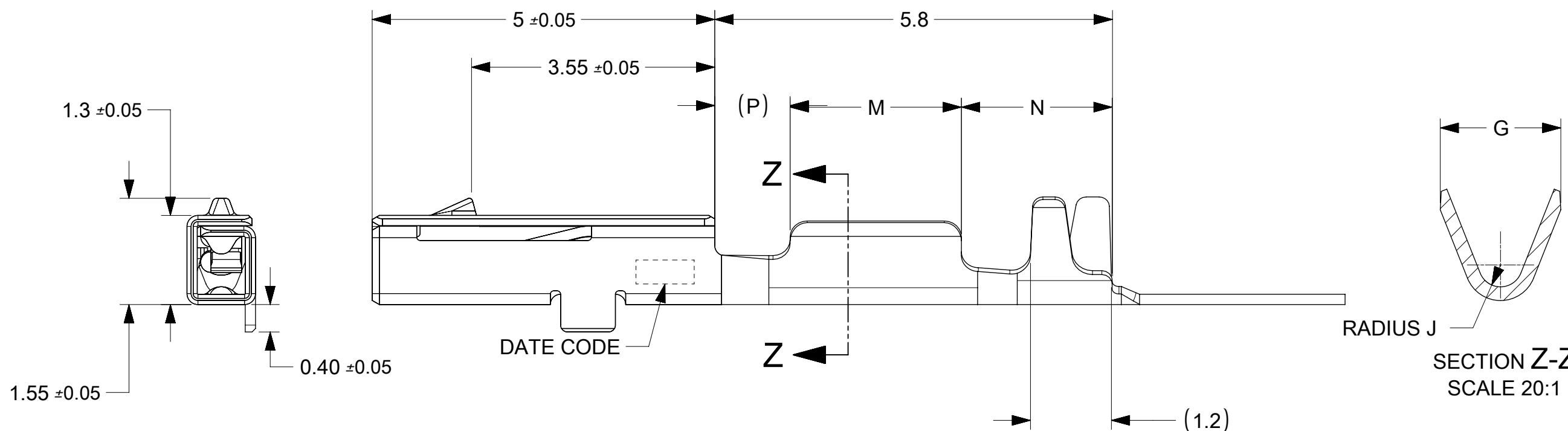
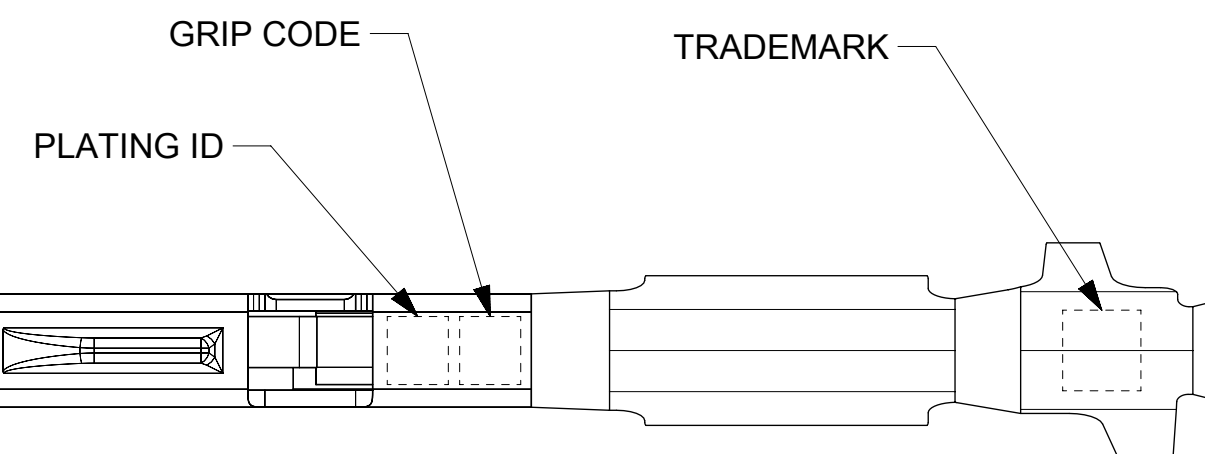
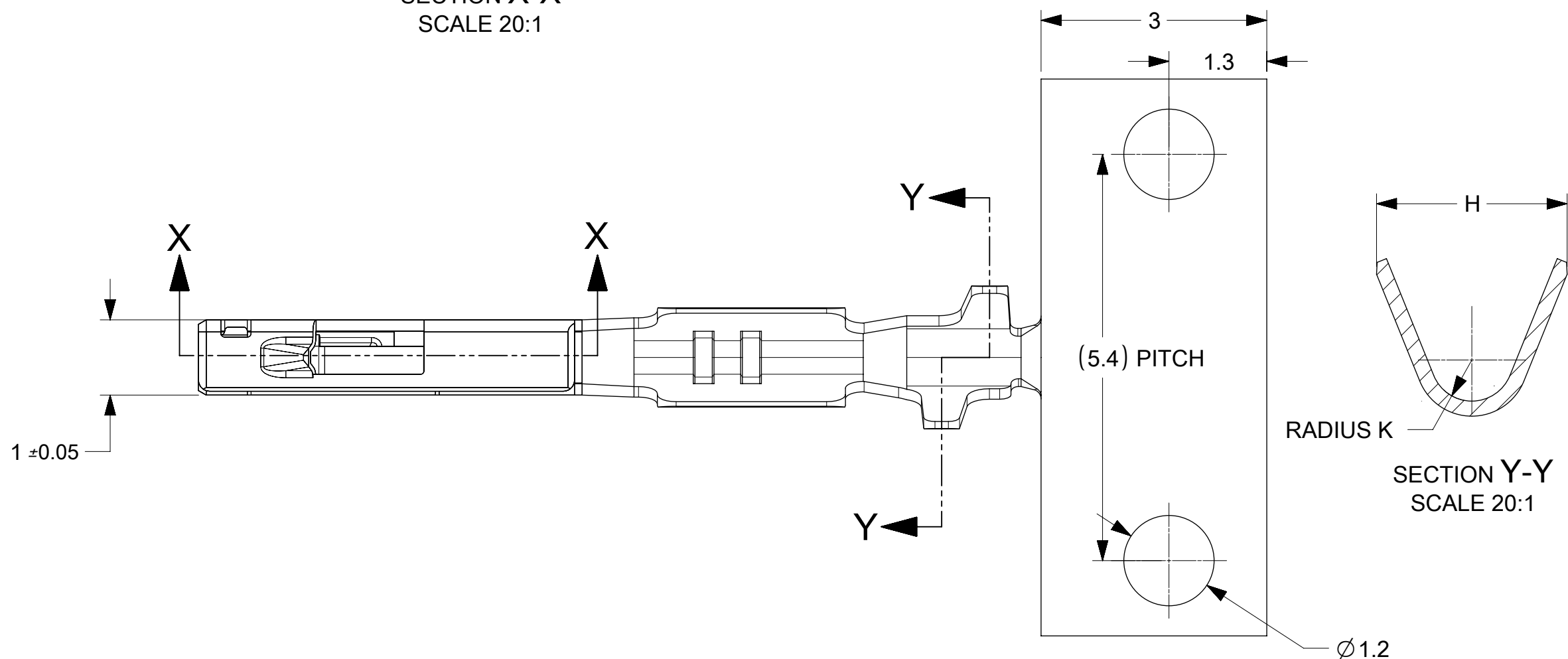


TABLE 1

PART NUMBERS		Plating	STATUS	GRIP CODE	WIRE GAGE mm ²	INSULATION MAX O.D. mm	DIM G	DIM H	DIM J	DIM K	DIM L	DIM M	DIM N	DIM P
D-WIND (LEFT PAYOFF) DEFAULT	B-WIND (RIGHT PAYOFF)						+0.20 -0.15	±0.20	±0.10	±0.20	±0.05	±0.10	±0.10	REF
560023-0421	560023-0423	Sn	SALEABLE	M	0.22	1.05	1.65	2.25	0.45	0.47	0.00	2.00	2.4	1.4
560023-0444	560023-0445	Sn		S	0.13	1.05	1.32	1.90	0.24	0.41	0.00	2.50	2.2	1.1
560023-0448	560023-0450	Sn		L	0.35	1.40	1.65	2.35	0.40	0.68	0.15	2.50	2.2	1.1
560023-0544	560023-0545	Au		S	0.13	1.05	1.32	1.90	0.24	0.41	0.00	2.50	2.2	1.1
560023-0548	560023-0550	Au		L	0.35	1.40	1.65	2.35	0.40	0.68	0.15	2.50	2.2	1.1

THIS DRAWING CONTAINS INFORMATION THAT IS PROPRIETARY TO MOLEX ELECTRONIC TECHNOLOGIES, LLC AND SHOULD NOT BE USED WITHOUT WRITTEN PERMISSION

QUALITY SYMBOLS	EC DESCRIPTION 2020/11/11 2020/11/12 2020/11/16 EC NO: 649060 DRWN: SMAHADIK CHKD: TOMSMITH REV APPR: JCUATACERVAN	GENERAL TOLERANCES (UNLESS SPECIFIED)		DIMENSION UNITS		SCALE			
				mm	15:1				
		4 PLACES ± --- ± ---		DRWN BY	DATE	TJSMITH 2009/05/02			
		3 PLACES ± --- ± ---		CHK'D BY	DATE	DNICHOLAS 2009/05/20			
2 PLACES ± 0.10 ± ---		APPR BY	DATE	BMOSER 2009/05/20		PRODUCT CUSTOMER DRAWING			
1 PLACES ± 0.10 ± ---		ANGULAR TOL = 5		DRAWING SIZE	THIRD ANGLE PROJECTION	SERIES	MATERIAL NUMBER	CUSTOMER	
0 PLACES ± --- ± ---		DRAFT WHERE APPLICABLE MUST REMAIN WITHIN DIMENSIONS		C		560023	SEE TABLE	GENERAL MARKET	
K						DOCUMENT NUMBER	DOC TYPE	DOC PART	SHEET NUMBER
						SD-560023-002	PSD	000	1 OF 1