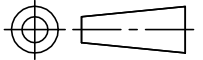


DO NOT SCALE

DIMENSIONS IN INCH

INCH

THIRD ANGLE  
PROJECTION



REV REVISION RECORD

A2 REVISED PER ECR-19-015041

DATE

05NOV2019

DW

PC

APD

MB

TO ACCEPT AWG 20 OR AWG 18 SOLID  
OR FUSED STRANDED LEAD WIRE

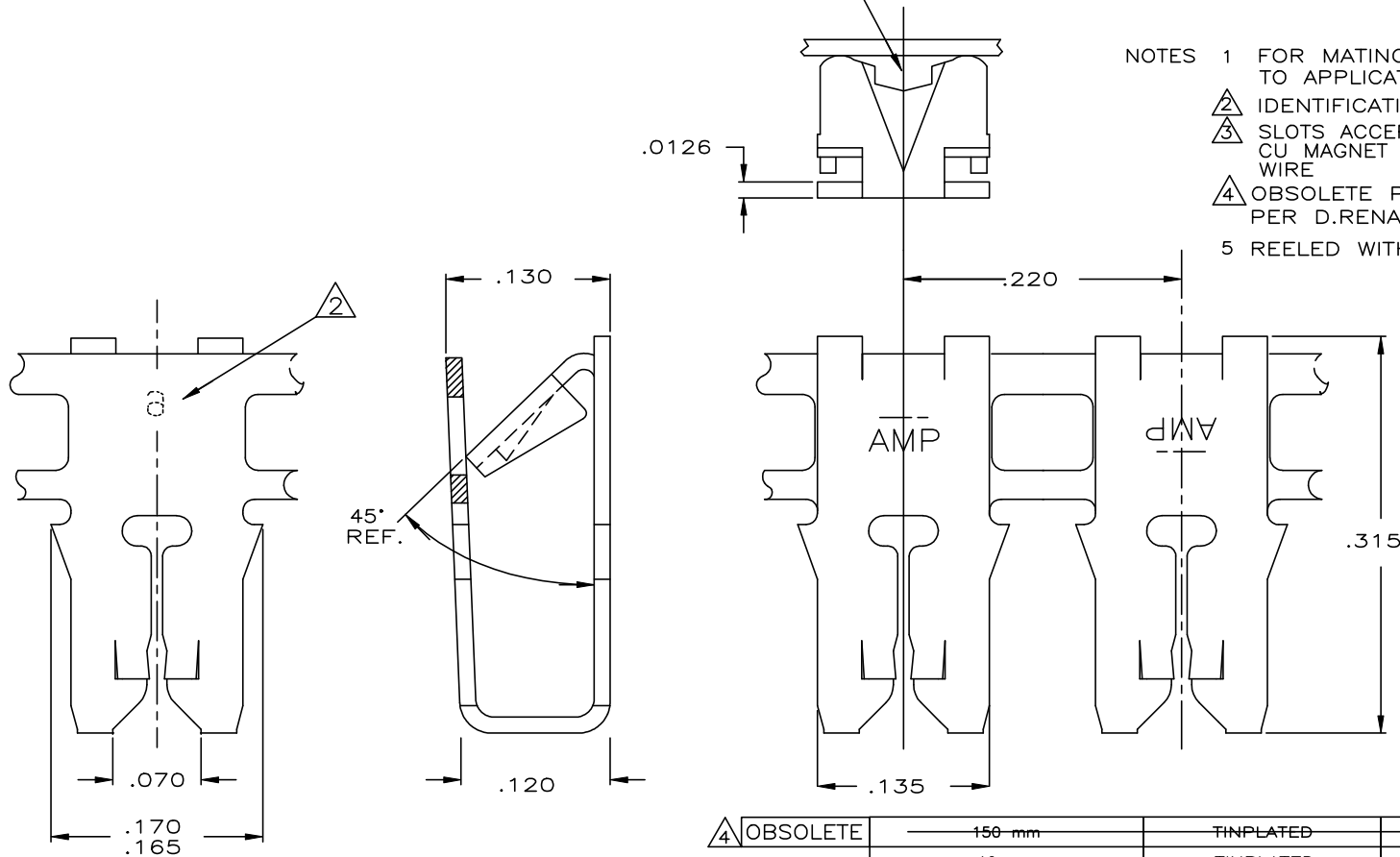
NOTES 1 FOR MATING CAVITY SPECIFICATIONS REFER  
TO APPLICATION SPEC. #114-2046

2 IDENTIFICATION NUMBER FOR SLOT SIZE "6"

3 SLOTS ACCEPT SINGLE OR DOUBLE AWG 30-27  
CU MAGNET WIRE OR AWG 28-25 AL MAGNET  
WIRE

4 OBSOLETE PARTS: OBSOLETE CIS STREAMLINING  
PER D.RENAUD/D.SINISI

5 REELED WITH INTERLEAVE PAPER.



4 OBSOLETE

150 mm	TINPLATED	BRASS	160899-5
12 mm	TINPLATED	BRASS	160899-4
REELWIDTH	FINISH	MATERIAL	PARTNUMBER

CUSTOMER  
DRAWING



FOR REFERENCE ONLY  
WILL NOT BE UPDATED

~~THIS DRAWING IS UNPUBLISHED~~ RELEASED FOR PUBLICATION APRIL, 1985

© COPYRIGHT 19 86,87,88 BY AMP-HOLLAND B.V.  
ALL INTERNATIONAL RIGHTS RESERVED.  
AMP PRODUCTS MAY BE COVERED BY U.S. AND FOREIGN PATENTS AND/OR  
PATENTS PENDING.

DR. D.CAMPSCHROER DATE 30/05/85

WIRE RANGE  
3

NAME MAG-MATE  
REV. DATE  
D M Y

CHK. W.ESSER DATE

INSUL. RANGE

POKE-IN TERMINAL  
160388

APP. L.VAN SOEST DATE

SIZE A3  
SHEET 1 OF 1

DWG. No. 160899  
REV. LTR. A2

8

7

6

5

4

3

2

1

A

B

C

D

E

F