

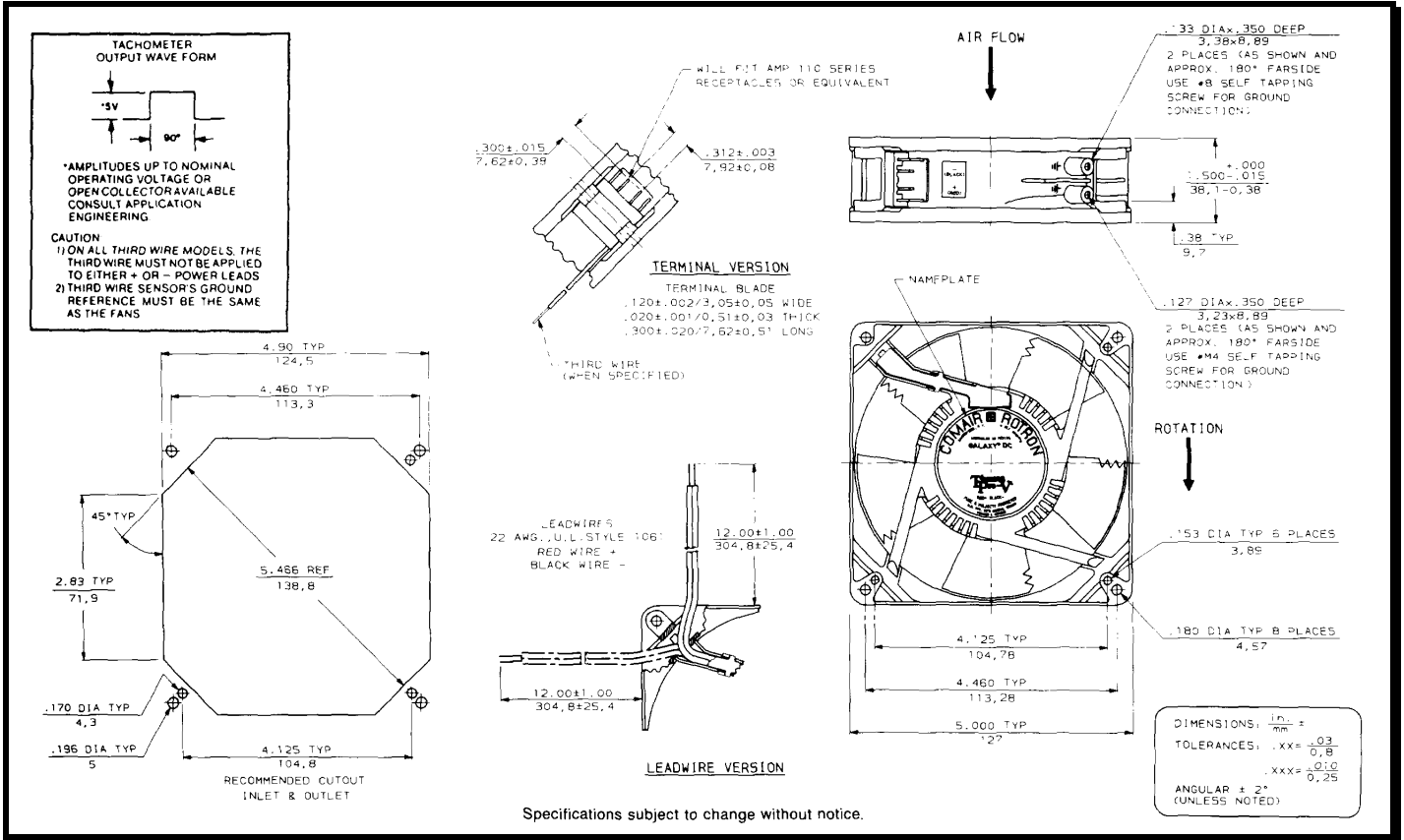
SPECIFICATIONS



Model Number: GL24Z7
Part Number: 19039524A

July 28, 2005

Mechanical Drawing:



Motor:

Nominal Voltage = 24 vdc
 Operating Voltage Range = 12 - 28 vdc
 Nominal Running Current = 1.30 amps
 Locked Rotor Current = 3.50 amps
 Running Power = 31.2 watts
 Average Speed = 4100 RPM
 Bearings = Ball
 Air Flow = 190 cfm
 Acoustic = 59.4 dBA

Construction:

Venturi: Die Cast Zinc Alloy, Black.
 Propeller: Plastic, Black, UL 94V-0.

Life Expectancy:

This fan is designed for continuous duty life of 62,000 hours at 50°C.

Agency Approvals:

UL,cUL,CE

Additional Features:

Brushless DC Motor
 Locked Rotor Protection
 Reverse Polarity Protected
 Operating Temperature: -10°C to 70°C
 Storage Temperature: -40°C to 85°C

Tachometer:

Output: 5vdc TTL Compatible
 I_c: 5mA Typical
 Isolated: No
 Pulses per Revolution: 2

Termination:

12" Lead wires, 22 AWG, UL 1061
 Red - Power
 Black - Return
 Blue/White - Tachometer Output