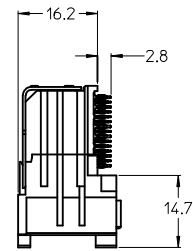
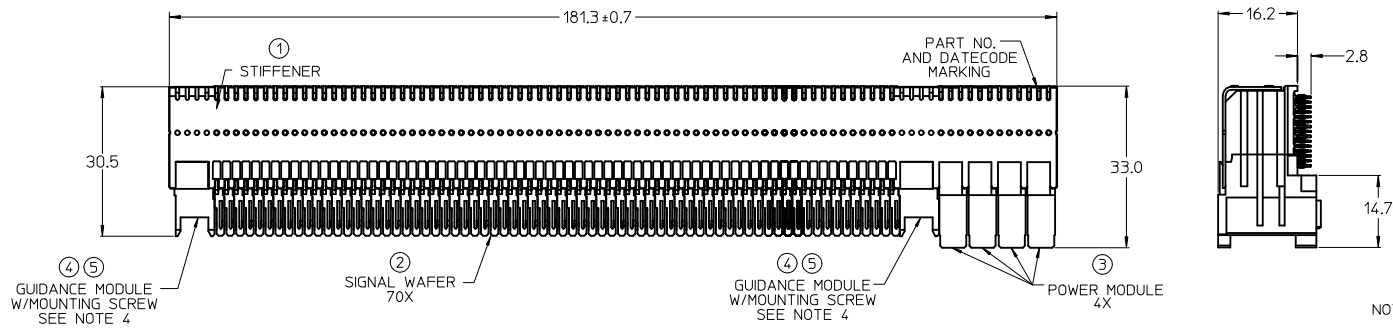


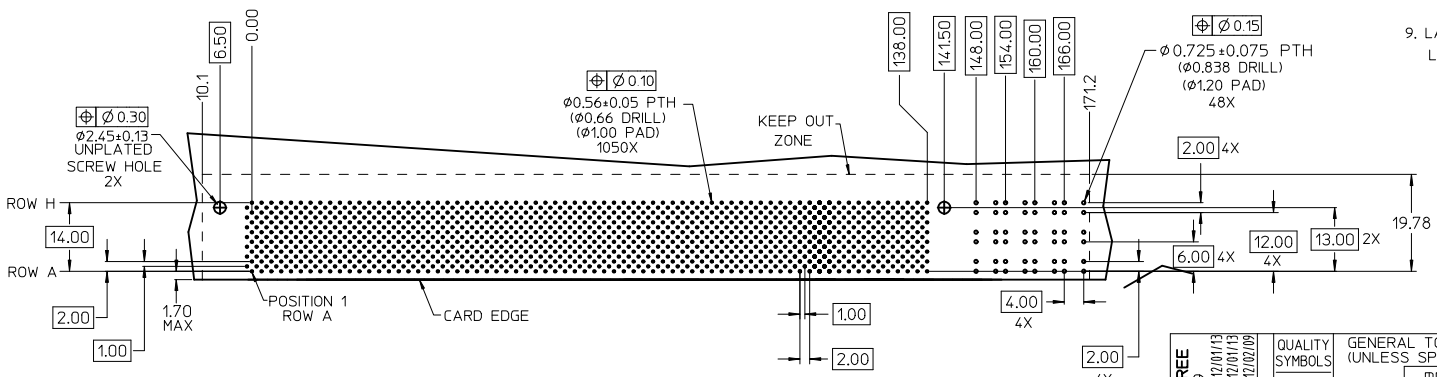
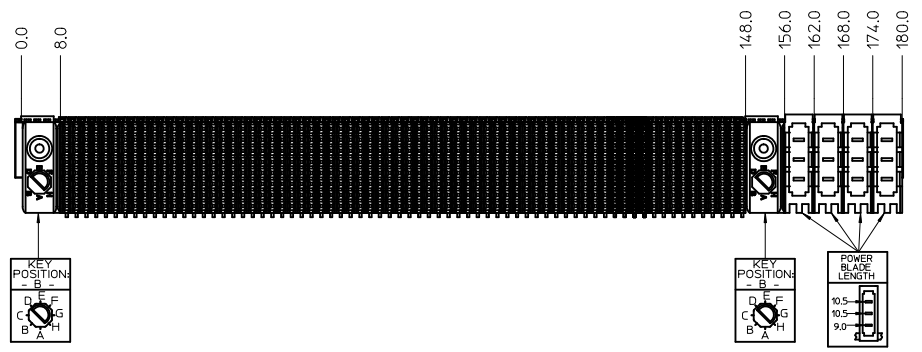
CUSTOMER: ELLACOYA



LEAD-FREE
PLATING

NOTES:

- MATERIALS: HOUSING : LIQUID CRYSTAL POLYMER (LCP)
GLASS-FILLED, UL94V-0, BLACK.
TERMINALS: COPPER ALLOY
STIFFENER: STAINLESS STEEL
- FINISH: SELECTIVE GOLD (Au) 0.76 micrometer MINIMUM
IN CONTACT AREA, SELECTIVE MATTE TIN (Sn) IN TAIL AREA,
NICKEL (Ni) UNDERPLATE OVERALL.
- REFER TO MOLEX PRODUCT SPECIFICATION PS-74031-999
FOR PERFORMANCE SPECIFICATIONS.
- PARTS TO BE PACKAGED PER PK-70873-5041.
SCREWS PACKED IN BAG INSIDE TUBE.
- THIS PART CONFORMS TO CLASS "B" REQUIREMENTS OF
MOLEX COSMETIC SPECIFICATION PS-45499-002.
- REFER TO MOLEX DOCUMENT SD-74041-002 FOR ADDITIONAL
DETAIL ON THE SIGNAL WAFER.
- REFER TO MOLEX DOCUMENT SD-74037-006 FOR ADDITIONAL
DETAIL ON THE GUIDANCE MODULE.
- REFER TO MOLEX DOCUMENT SD-75885-002 FOR ADDITIONAL
DETAIL ON THE LEAD-FREE POWER MODULE.
- LABEL MARKED WITH MOLEX PART NUMBER AND DATE CODE.
LABEL MAY BE REPLACED WITH LASER MARKING ON THE STIFFENER.



ITEM	PART NUMBER	PART DESCRIPTION	QTY
1	74046-0181	STIFFENER	1
2	74041-1001	SIGNAL WAFER, LF	70
3	75885-8233	POWER MODULE, LF	4
4	74037-8002	GUIDANCE MODULE - KEY "B"	2
5	73726-0000	GUIDE MODULE MNTG SCREW	2

DAUGHTERCARD HOLE PATTERN
(CONNECTOR SIDE)

CHG TO LEAD-FREE EC NO: UCP2012-2179 DRAWING: CHKO:SMILLER 2012/01/13 APPROVAL: APPR:SMILLER 2012/02/09	QUALITY SYMBOLS	GENERAL TOLERANCES (UNLESS SPECIFIED)	DIMENSION STYLE	SCALE	DESIGN UNITS	THIRD ANGLE PROJECTION
	▽=0	mm INCH	MM ONLY	2:1	METRIC	⊙
	▽=0	4 PLACES ±--- ±---	DRAWN BY	DATE	TITLE	
	▽=0	3 PLACES ±--- ±---	VARVARA	05/08/19	VHDM 8 ROW, LF DAUGHTERCARD SALES DRAWING	
	2 PLACES ±--- ±---	CHECKED BY	DATE	MOLEX INCORPORATED MATERIAL NO. 74040-1107 DOCUMENT NO. SD-74040-1107 SHEET NO. 1 OF 1		
	1 PLACE ±--- ±---	KMULVEY	05/08/19			
	ANGULAR ±1/2°	APPROVED BY	DATE			
		SMILLER	2012/02/09			
DRAFT WHERE APPLICABLE MUST REMAIN WITHIN DIMENSIONS						