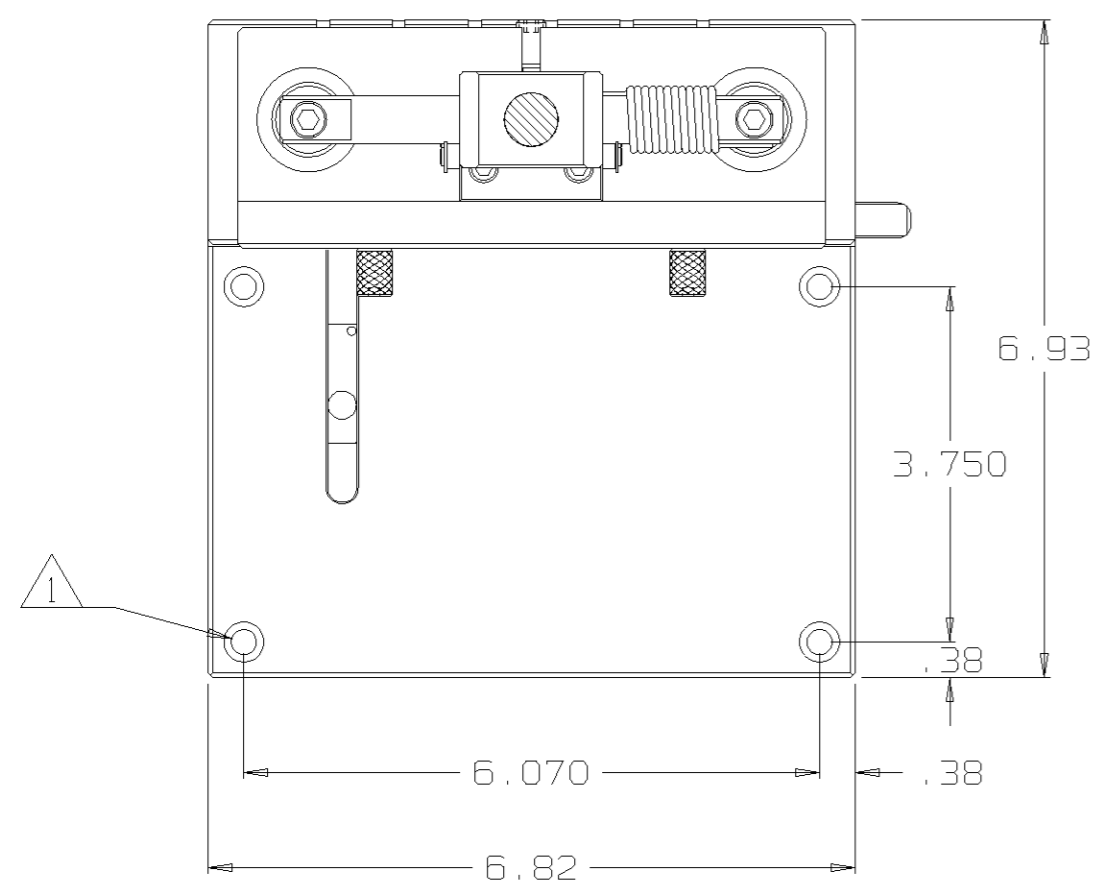
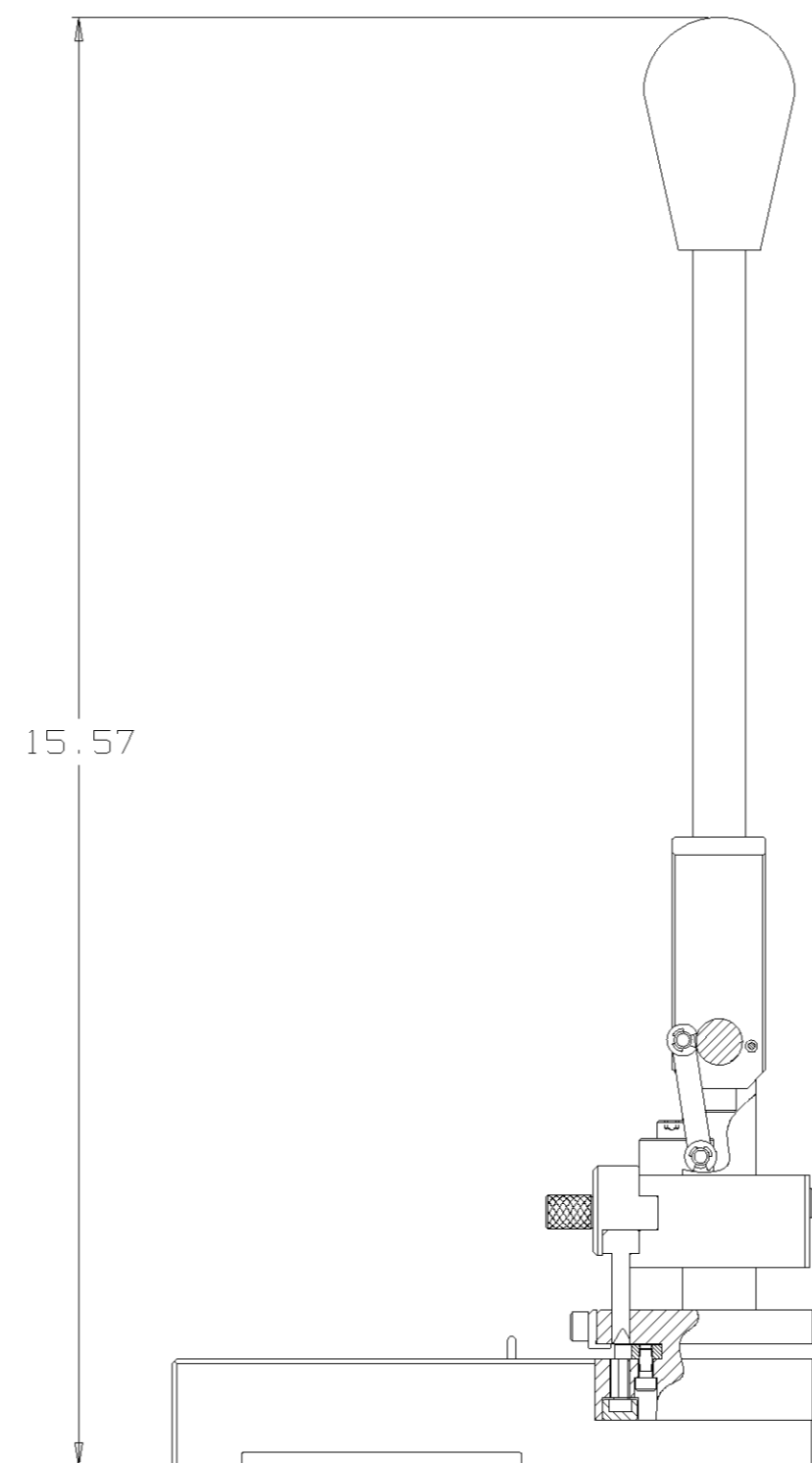
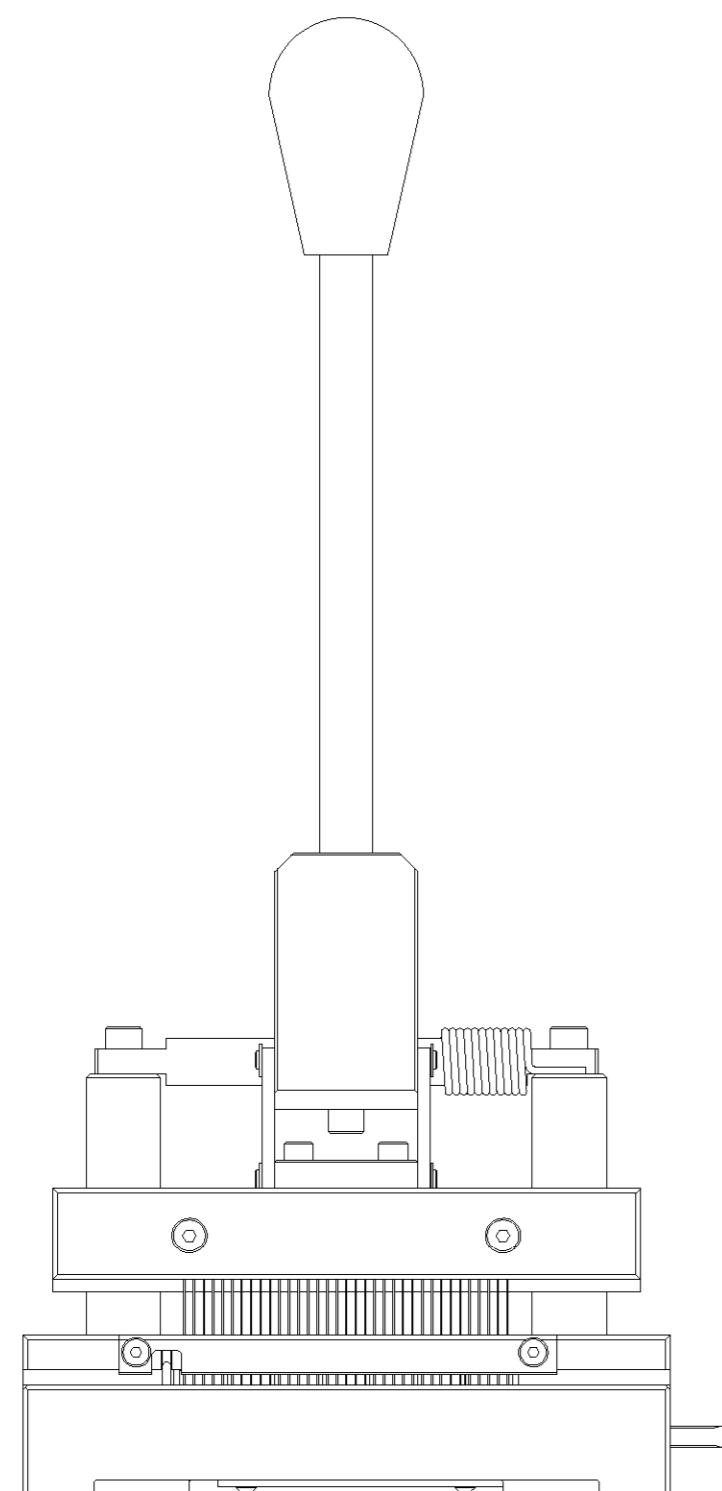


THIS DRAWING IS UNPUBLISHED. RELEASED FOR PUBLICATION .19  
 © COPYRIGHT 19 BY AMP INCORPORATED. ALL RIGHTS RESERVED.

LOC	DIST	REVISIONS			
P	LTR	DESCRIPTION	DATE	DWN	APVD
AD	47	E	REVISED & REDRAWN PER EC OG22-0111-99	6-2-99	JG SS



1 USE 1/4-20UNC X .50 MIN LONG SOCKET HEAD CAP SCREWS FOR MOUNTING.



767527

767527-1  
PART NUMBER

THIS DRAWING IS A CONTROLLED DOCUMENT.		DWN J.GERACE 6-2-99	<b>AMP</b>	AMP Incorporated	
		CHK S.STRICKLER 6-2-99		Harrisburg, PA 17105-3608	
DIMENSIONS: INCHES		APVD A.MDNK 6-2-99	NAME		
TOLERANCES UNLESS OTHERWISE SPECIFIED:		PRODUCT SPEC -			
0 PLC ±-		APPLICATION SPEC -			
1 PLC ±-		WEIGHT -			
2 PLC ±.02		SIZE A2			
3 PLC ±.005		CAGE CODE 00779			
4 PLC ±-		DRAWING NO C=767527			
ANGLES ±-		SCALE 1:2			
MATERIAL -		SHEET 1 OF 1			
FINISH -		REV E			
		CUSTOMER DRAWING			