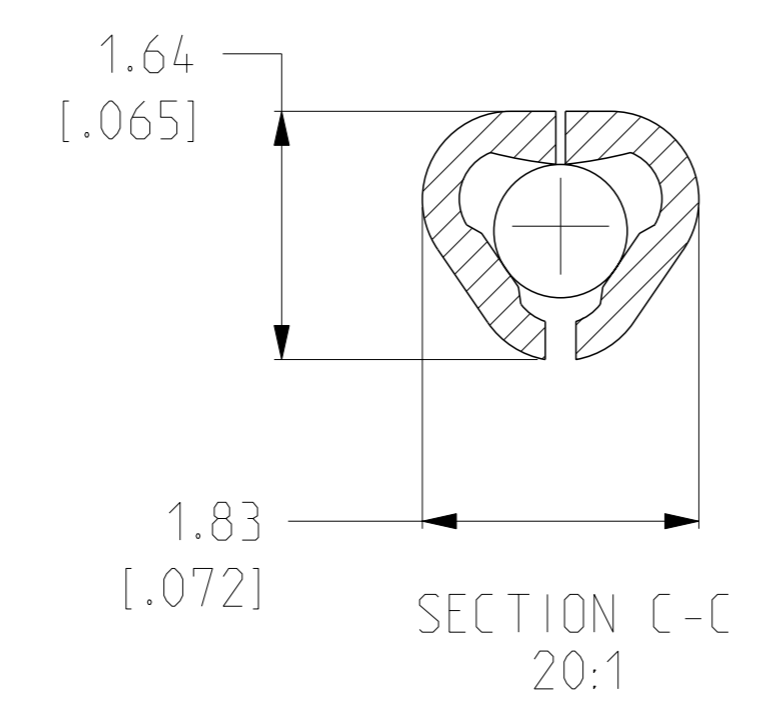
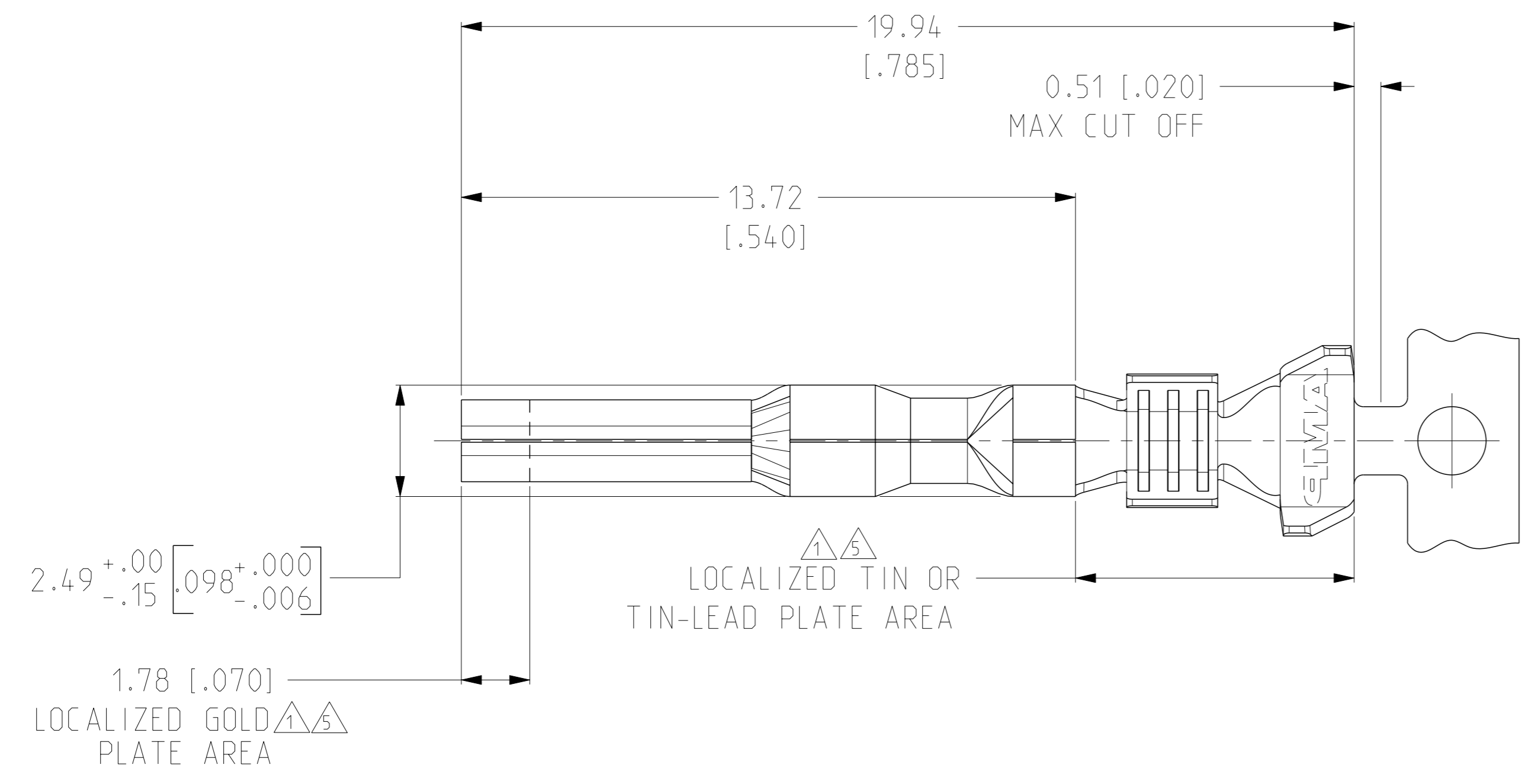
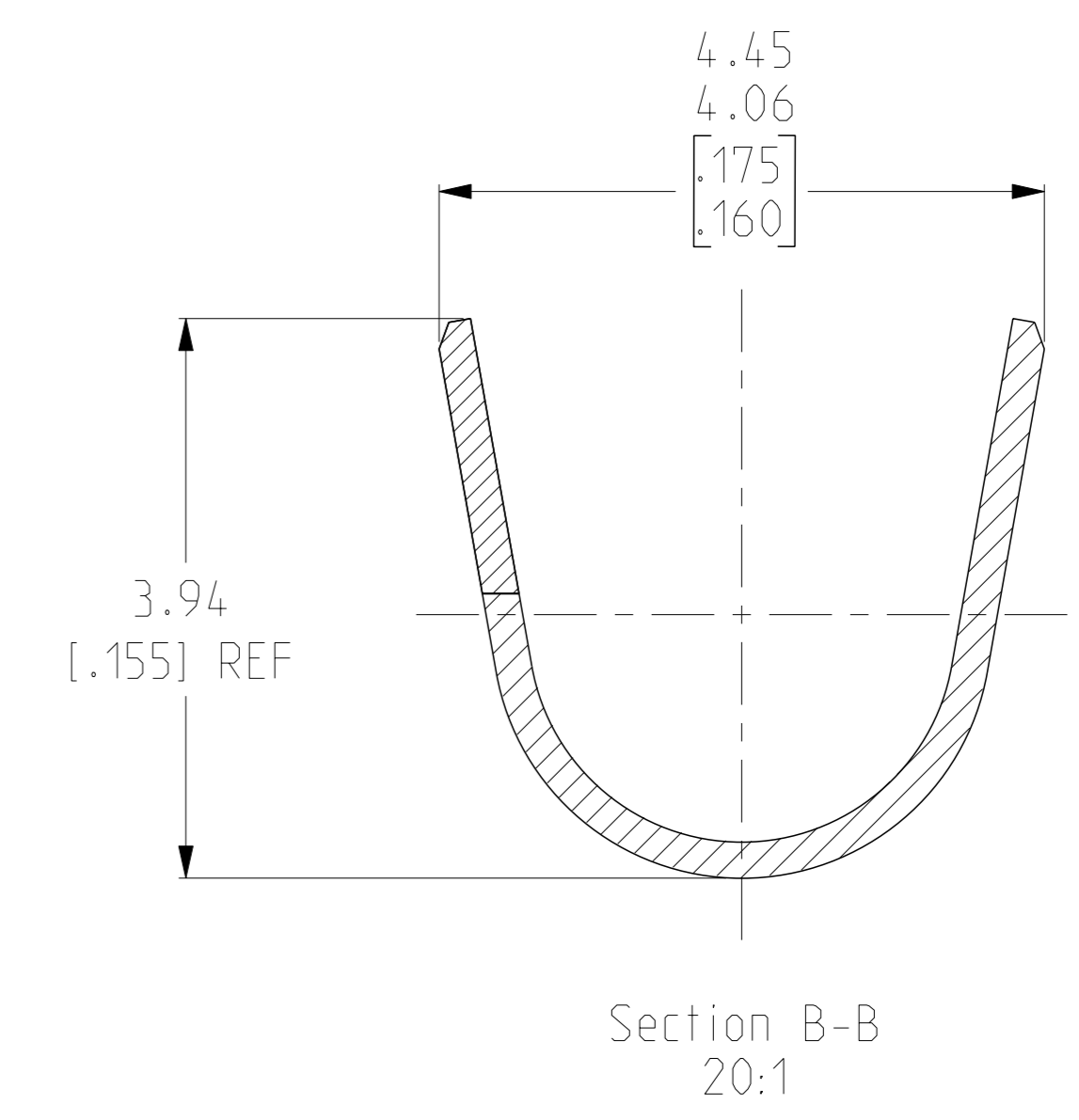
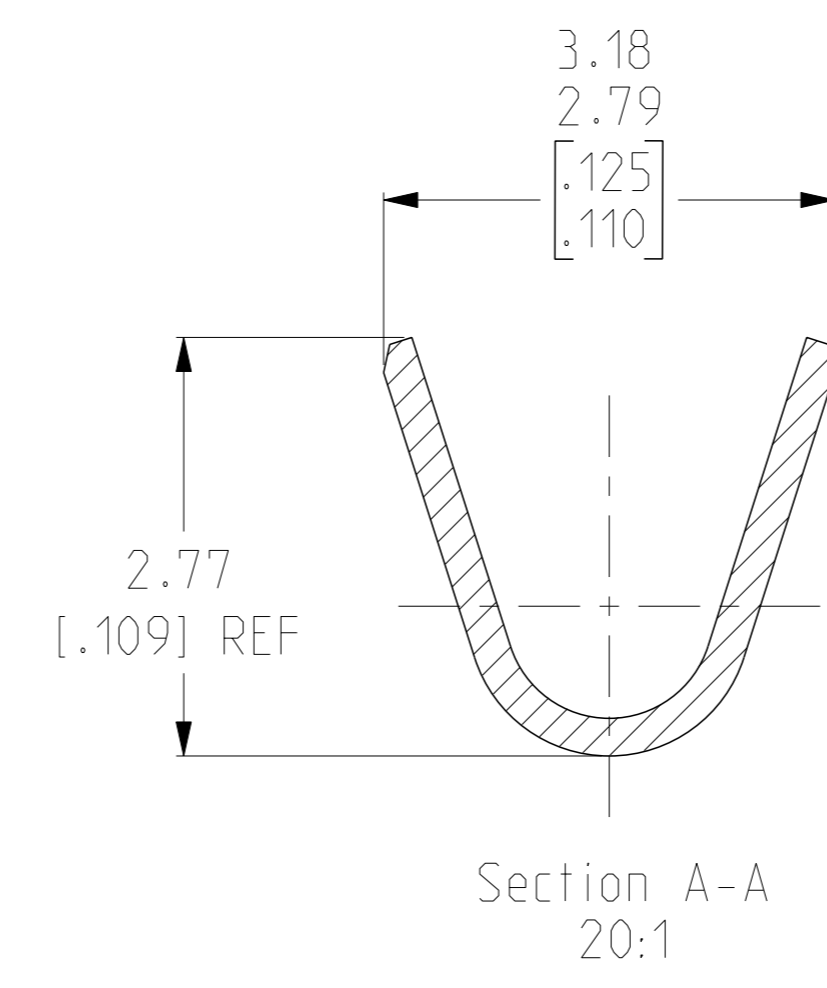
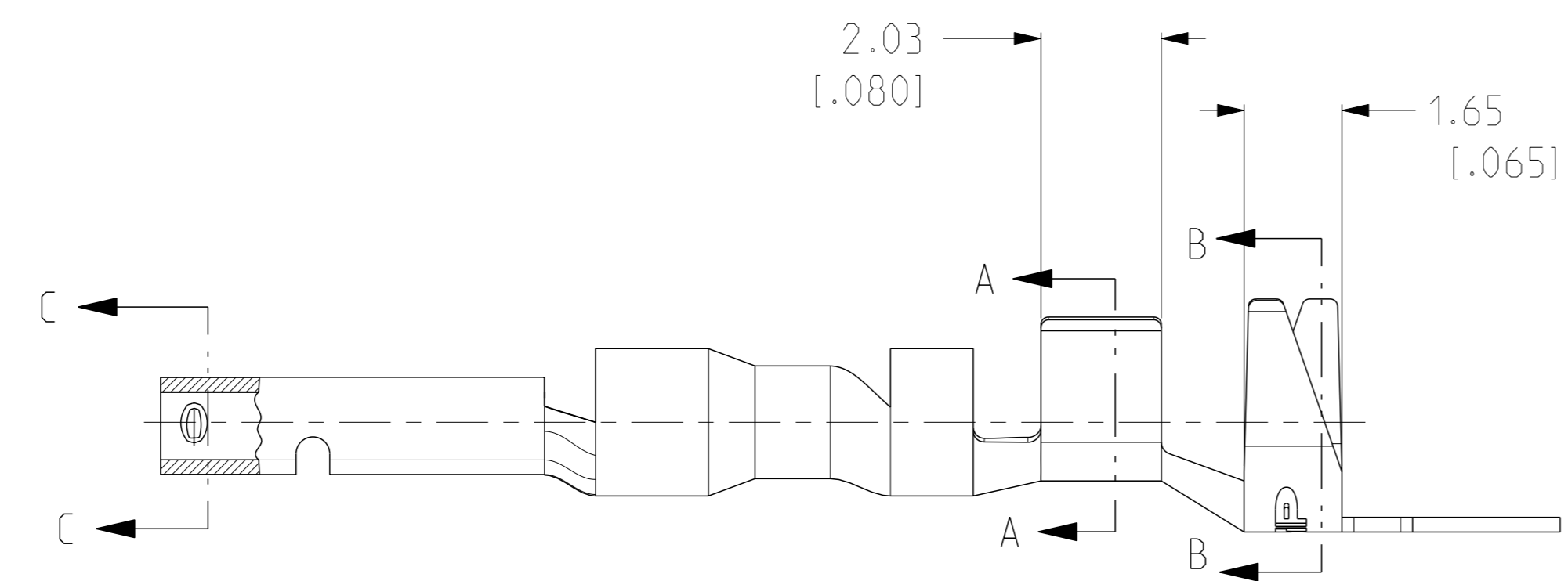


REVISIONS				
#	DATE	DESCRIPTION	DATE	OWN
J		REVISED PER ECR-17-013000	30OCT2018	BDA SG

- 1 0.00076 [.000030] MIN GOLD IN LOCALIZED GOLD PLATE AREA AND 0.00254-0.00635 [.000100-.000250] BRIGHT TIN-LEAD IN LOCALIZED TIN-LEAD PLATE AREA OVER 0.00127 [.000050] MIN NICKEL.
- 2 WIRE RANGE: 0.5-1.4MM² (20-16 AWG).
- 3 INSULATION RANGE: 2.01-3.20(.079-.126) DIA.
- 4 DIMENSIONS IN BRACKETS ARE IN INCHES.

- 1 0.00076 [.000030] MIN GOLD IN LOCALIZED GOLD PLATE AREA AND 0.00254-0.00635 [.000100-.000250] BRIGHT TIN IN LOCALIZED TIN PLATE AREA OVER 0.00127 [.000050] MIN NICKEL.



1	MAKE FROM 794223-2	1-794223-0
2	MAKE FROM 794223-2	794223-3
PRE TIN	.0098±.0004 X .970±.002 H06, 6-702456-6, BRASS, PER TE SPEC. 100-86	794223-1
FINISH	MATERIAL	PART NUMBER

THIS DRAWING IS A CONTROLLED DOCUMENT.		OWN: S. CARPENTER 21MAY2003		TE Connectivity	
DIMENSIONS: mm		CHK: C. JONES 21MAY2003		NAME: SOCKET, MINI UNIVERSAL MATE-N-LOK™2	
TOLERANCES UNLESS OTHERWISE SPECIFIED:		APVD: C. JONES 21MAY2003		SIZE: A1	
0 PLC ±	1 PLC ±	2 PLC ±	3 PLC ±	4 PLC ±	ANGLES ±
0.30	0.30	0.30	0.30	0.30	0.30
MATERIAL: SEE TABLE		FINISH: SEE TABLE		WEIGHT: -	
CUSTOMER DRAWING		SCALE: 5:1		SHEET 1 OF 1 REV J	