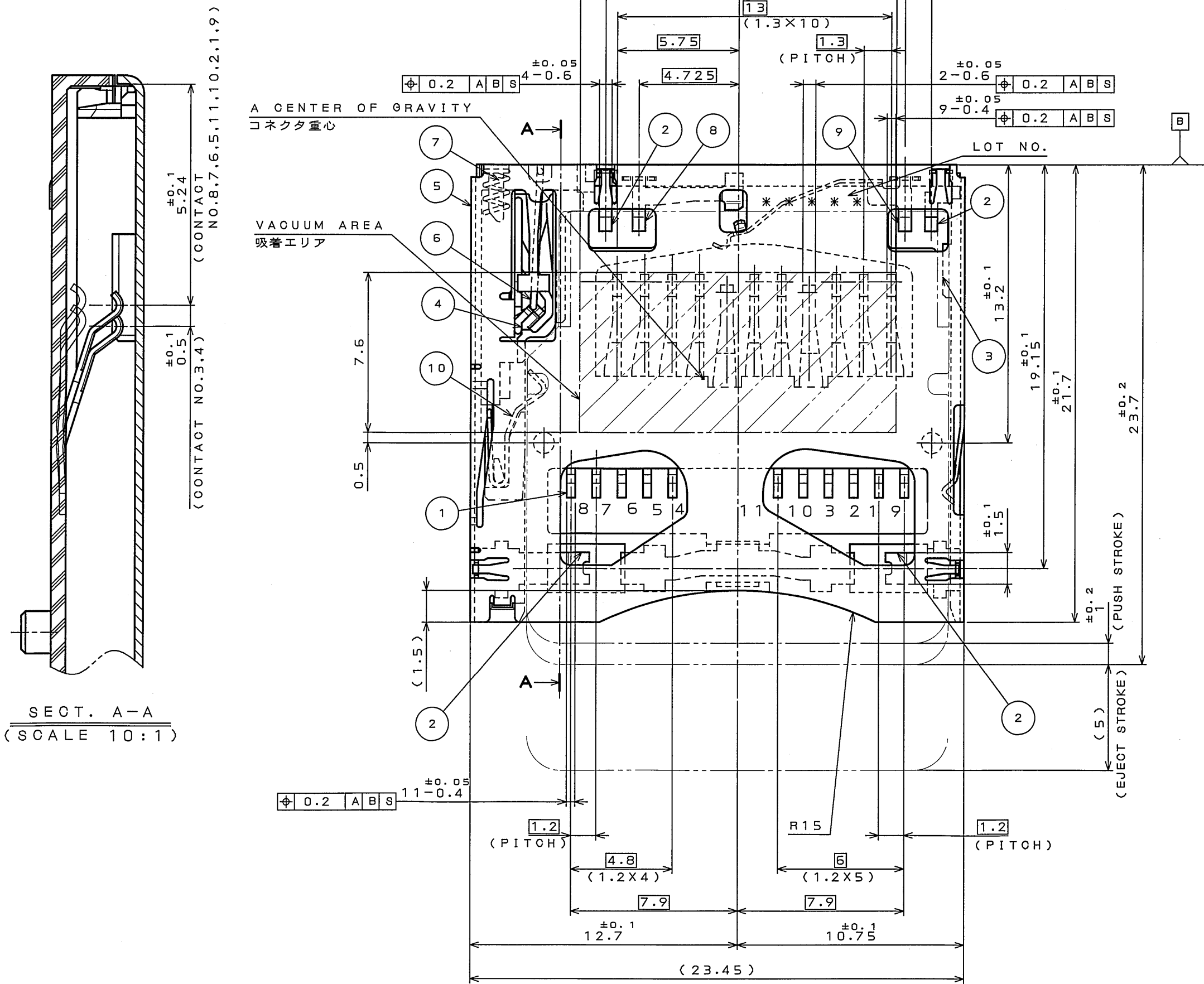
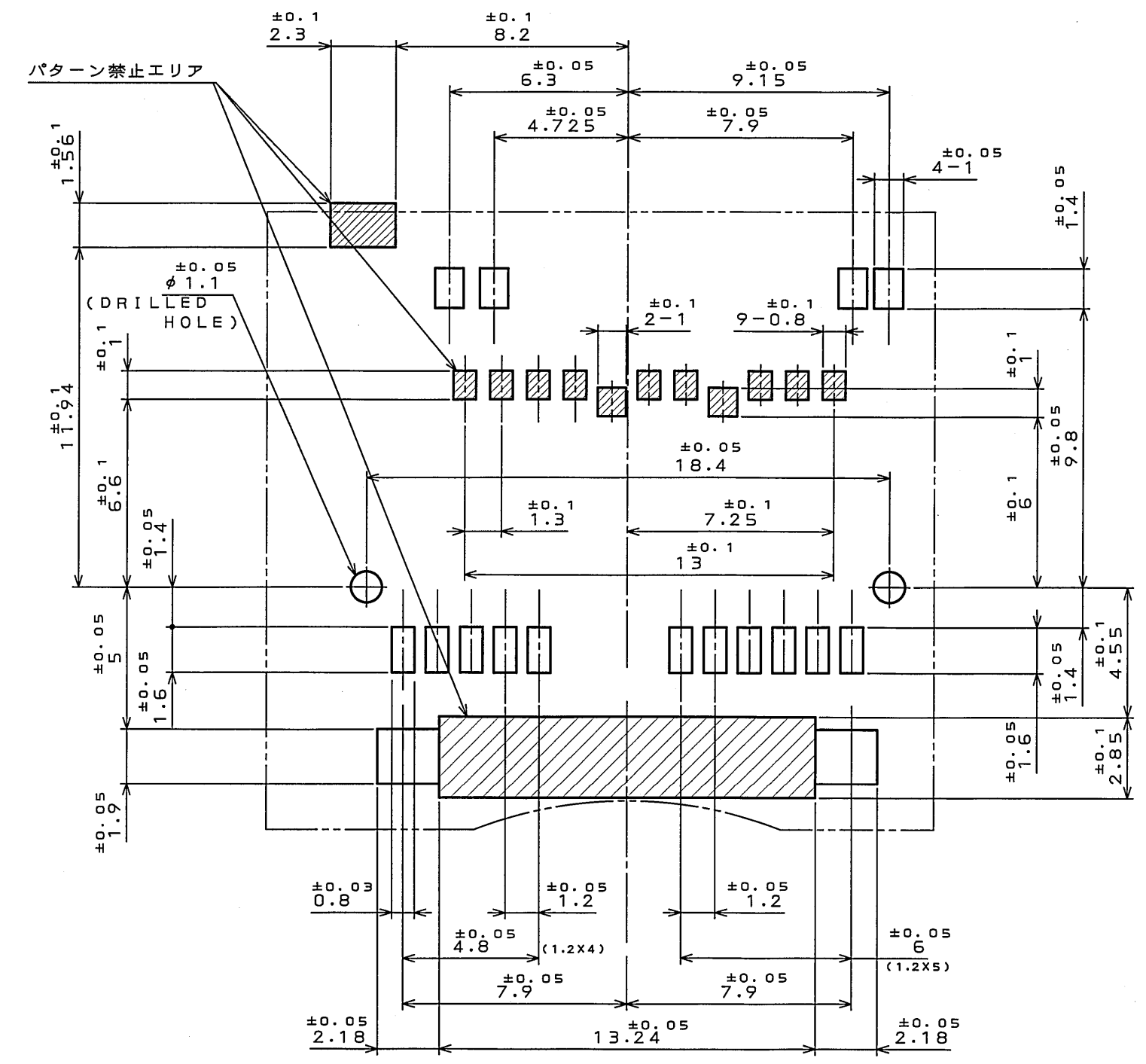


版数 REV.	年月日 DATE	DCN NO.	変更内容 DESCRIPTION	製図 DR.	担当 CHK.	査閲 APPD.	承認 APPD.
2	6.Mar.2006	059532	CORRECTED A ERROR IN WRITTING		AMATSUNAGA		A. Natari



SECT. A-A
(SCALE 10:1)



APPLICABLE P.C.B. DIMENSION (REF.)
適合基板寸法 (参考)

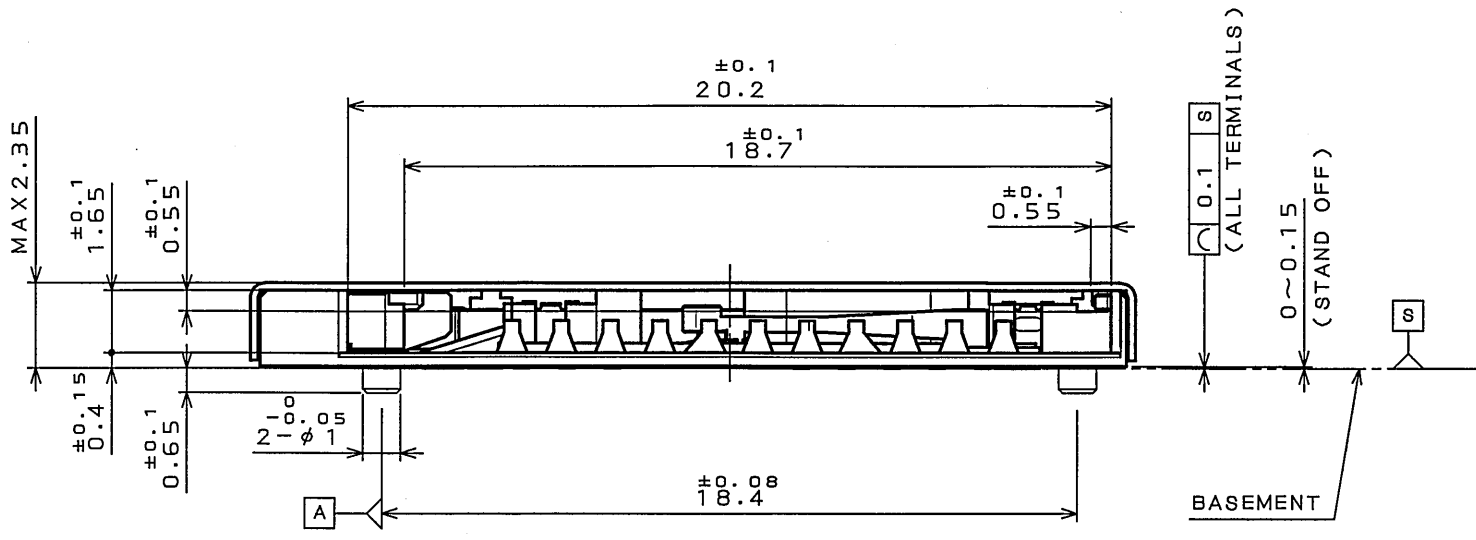
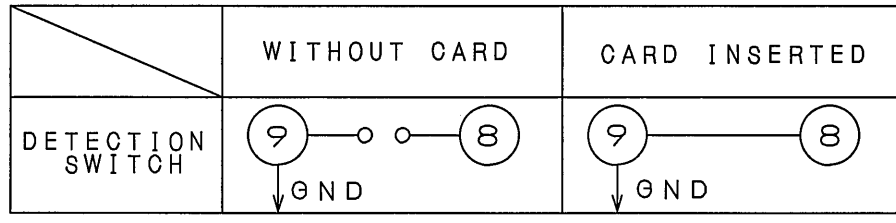


TABLE 1. CIRCUIT (REF.)



符号 NO.	名称 DESCRIPTION	個数 QTY.	材料 MATERIAL	仕上 FINISH	備考 REMARKS
10	CARD LOCK	1	STAINLESS		
9	DETECTION SWITCH CONTACT 1	1	COPPER ALLOY		CONTACTING AREA: GOLD OVER NICKEL TERMINAL AREA: GOLD FLASH OVER NICKEL
8	DETECTION SWITCH CONTACT 2	1	COPPER ALLOY		CONTACTING AREA: GOLD OVER NICKEL TERMINAL AREA: GOLD FLASH OVER NICKEL
7	SPRING	1	PIANO WIRE	ZINC PLATING	
6	CAM FOLLOWER	1	PIANO WIRE	NICKEL	
5	COVER	1	STAINLESS		
4	EJECT LEVER	1	GLASS FILLED Ny		UL94 V-0
3	HOUSING	1	GLASS FILLED LCP		UL94 V-0
2	HOLD DOWN	4	COPPER ALLOY		GOLD FLASH OVER NICKEL
1	CONTACT	9	COPPER ALLOY		CONTACTING AREA: GOLD OVER NICKEL TERMINAL AREA: GOLD FLASH OVER NICKEL

仕様書 (SPECIFICATION)	第1版 (ORIGINAL DATE) 3. Sep. 2003	尺度 (SCALE) 5:1	シリーズ (SERIES) SC1	名称 (TITLE) SC1S011V1S2	製図 DR. M. KODERA	担当 CHK. A. NATORI	承認 APPD. K. SUZUKI	日本航空電子工業株式会社 JAE ELECTRONICS INDUSTRY, LTD.	図面番号 (DRAWING NO.) SJ100002	版数 (REV.) 2
---------------------	-------------------------------------	-------------------	----------------------	---------------------------	---------------------	----------------------	-----------------------	---	--------------------------------	----------------

NOTE 1. The thickness of reinforcement board is 0.6MIN. when the product will mount on FPC.
NOTE 2. CIRCUIT (TABLE.1) (REFERENCE)

注 1. FPC搭載時の補強板厚は0.6以上とする。
注 2. 回路図 (表 1) (参考)