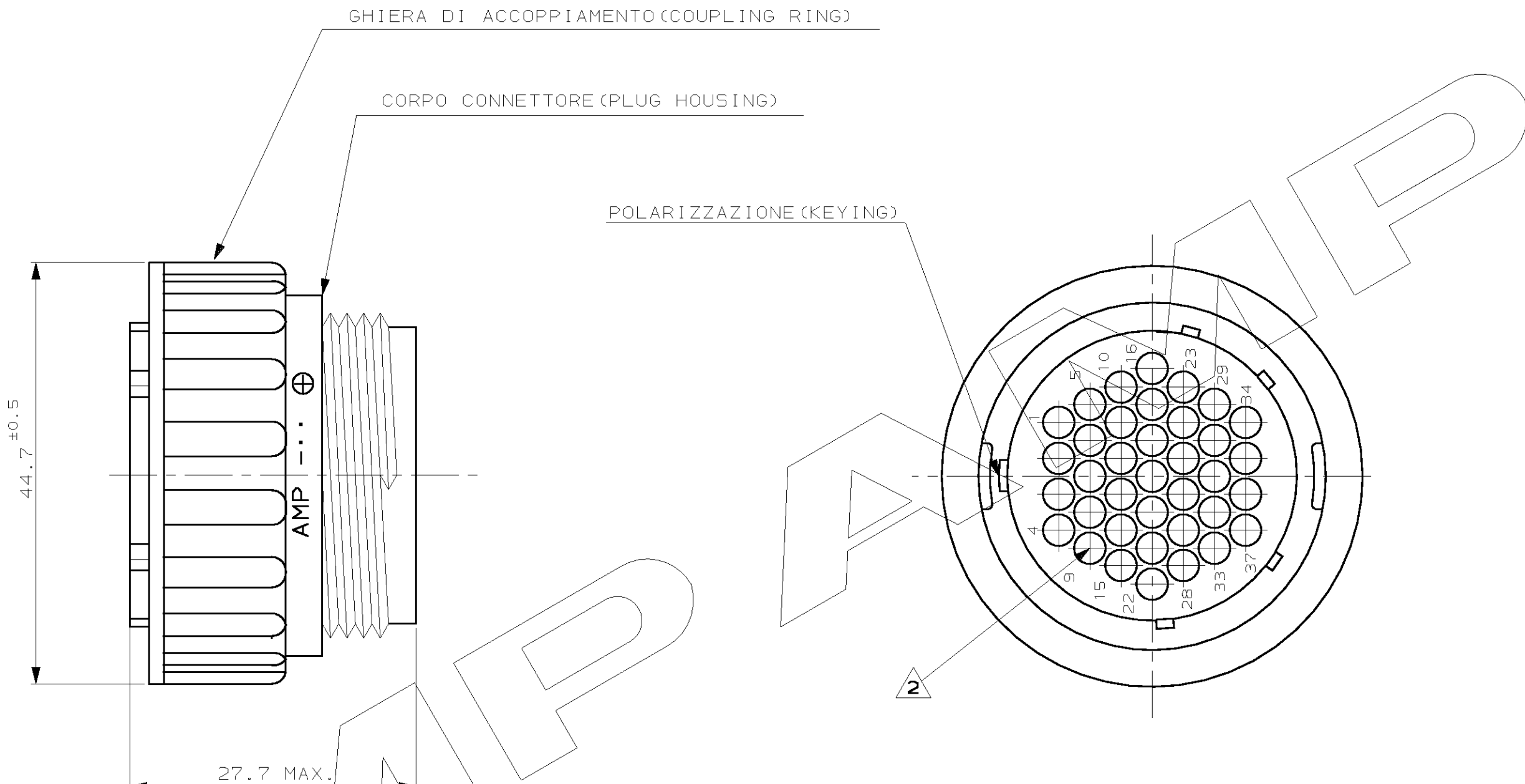


A  
B  
C  
D  
E  
F



NOTE (NOTES)

1. MATERIALE (MATL.): TERMOPLASTICO COLORE NERO (THERMOPLASTIC, BLACK COLOR).
2. OGNI CAVITA' E IDENTIFICATA DAL NUMERO POSTO SIA SUL FRONTE CHE SUL RETRO DEL CONNETTORE. (CONTACT CAVITIES IDENTIFIED BY CHARACTERS) (ON FRONT AND REAR FACES OF CONNECTOR.)
3. QUESTO CONNETTORE E' APPROVATO CON FILE N.E28476 E CERTIFICATO CON FILE N.LR7189A-259 (THIS CONNECTOR IS RECOGNIZED BY FILE N.E28476 AND CERTIFIED BY FILE N.LR7189A-259)

IL DISEGNO INDICA IL P.N. 182923-1  
 (P.N. 182923-1 AS SHOWN)

				CUSTOMER DRAWING FOR REFERENCE ONLY		DISEGNO PER CLIENTE SOLO PER RIFERIMENTO	
				THIS DRAWING IS UNPUBLISHED		RELEASE FOR PUBLICATION 1991	
				© COPYRIGHT 19 BY AMP INCORPORATED, HARRISBURG, PA. ALL INTERNATIONAL RIGHT RESERVED. AMP PRODUCTS MAY BE COVERED BY U.S. AND FOREIGN PATENT AND/OR PATENT PENDING			
				TOLLERANZE: SE NON DIVERSAMENTE SPECIFICATO (TOLERANCES: UNLESS OTHERWISE SPECIFIED)		DIAM. ISOLANTE (INS. DIA. RANGE)	
				± 0.3		RANGO FILO (WIRE RANGE)	
				ANGOLI (ANGLES)		SCALA (SCALE)	
				± 2°		AMP AMP ITALIA Sp.A. Corso F.Lli Cervi, 15 COLLEGNO (TORINO)	
C2	UPDATED PRODUCT DESCRIPTION FOR ET00-0182-02	D.C.	29NOV 2002	DIS.	22 JUNE 91	DESCRIZIONE (DESCRIPTION) C.P.C. PLUG ASS'Y FOR SOCKET CONTACTS, SIZE 23-37, STD. SEX	
C1	REVISED ET00-0123-99	G.S.	01-06 99	(DR.)	C.CORDOLA		
C	REVISED PER ECN-13230	C.C.	05-93	(CHK)	CONT.05-MAY 1993		
B	REVISED CAVITY ID.N° POSITION ECN-13205	C.C.	01-93		C.MARTINS		
A	RELEASED	C.C.	10-91				
REV. (REV. LTR.)	REVISIONI (REVISION RECORD)	DIS. (DR)	DATA (DATE)	APP. (APP.)		LOC. (DWG NO)	NUMERO (SHEET)
						IA3C-182923	C2 1 DI (OF) 1

DISTRIBUZIONE (PRINT DIST.)

1 2 3 4 5 6 7 8