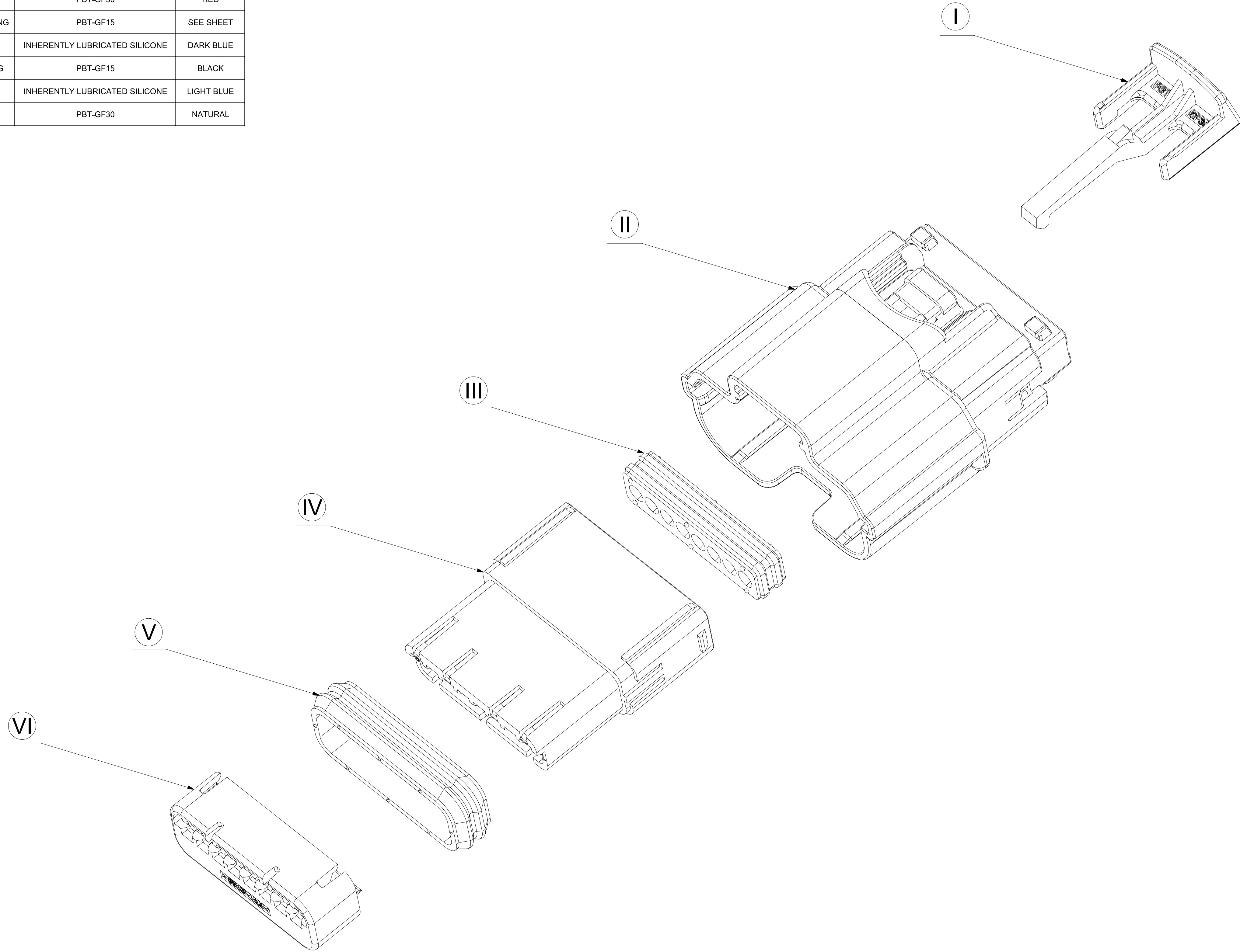


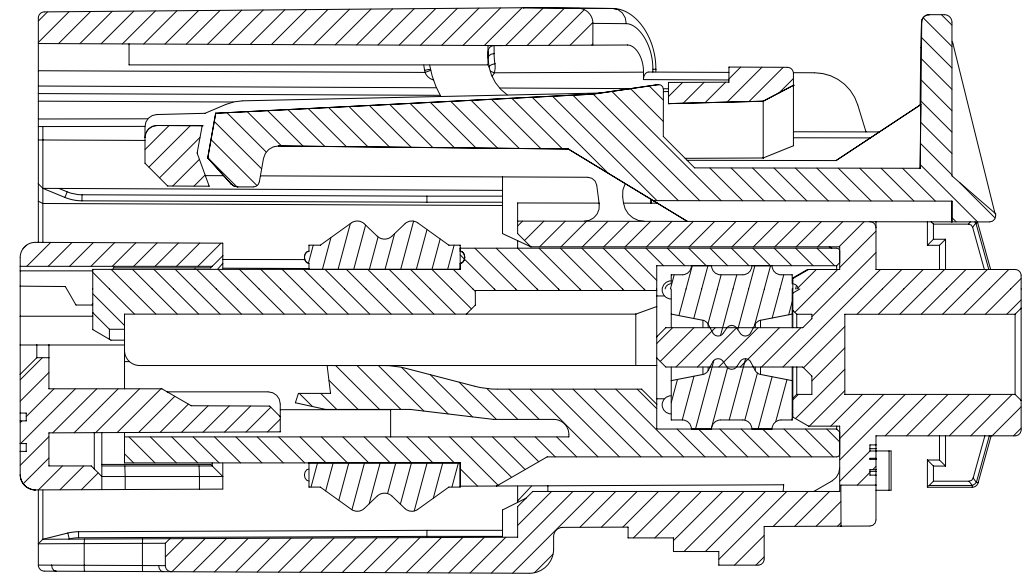
SHEET DESCRIPTION	
BOM	

ITEM NO.	DESCRIPTION	MATERIAL	COLOR
I	CPA	PBT-GF30	RED
II	CONNECTOR HOUSING	PBT-GF15	SEE SHEET
III	MATTE SEAL	INHERENTLY LUBRICATED SILICONE	DARK BLUE
IV	TERMINAL HOUSING	PBT-GF15	BLACK
V	PERIPHERAL SEAL	INHERENTLY LUBRICATED SILICONE	LIGHT BLUE
VI	TPA	PBT-GF30	NATURAL

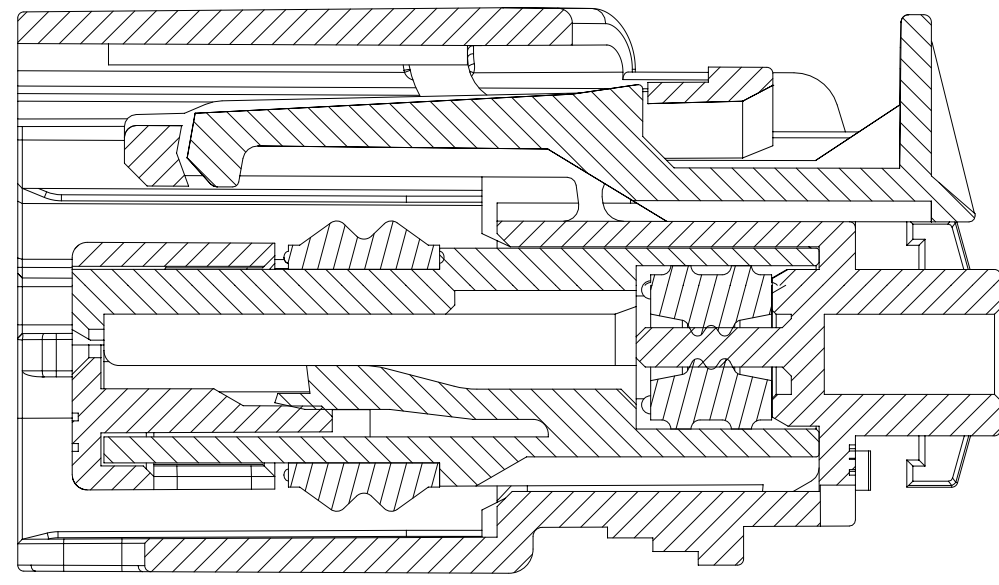


SYMBOLS = 0 = 0 = 0 = 0 = 0 = 0 = 0 = 0 = 0	THIS DRAWING CONTAINS INFORMATION THAT IS PROPRIETARY TO MOLEX ELECTRONIC TECHNOLOGIES, LLC AND SHOULD NOT BE USED WITHOUT WRITTEN PERMISSION		CURRENT REV DESC: EC NO: CO-000000853 DRWN: Yan Allen 15-Apr-2022 CHK'D: Fiona Chen 15-Apr-2022 APPR: Colin Zhang 20-Apr-2022		 USCAR 0.64MM 8 WAY ADD NEW P/N: 314049184/9194	
	DIMENSION UNITS: mm SCALE: 4:1 GENERAL TOLERANCES (UNLESS SPECIFIED) ANGULAR TOL ± 0.5°	4 PLACES ± 0 3 PLACES ± 0 2 PLACES ± 0 1 PLACE ± 0 0 PLACES ± 0	INITIAL REVISION: DRWN: Yan Allen 14-Feb-2022 APPR: David Xie 24-Feb-2022			
DRAFT WHERE APPLICABLE MUST REMAIN WITHIN DIMENSIONS		THIRD ANGLE PROJECTION	DRAWING: A1-SIZE	SERIES: 31404	MATERIAL NUMBER:	CUSTOMER: GENERAL MARKET SHEET NUMBER: 2 OF 4

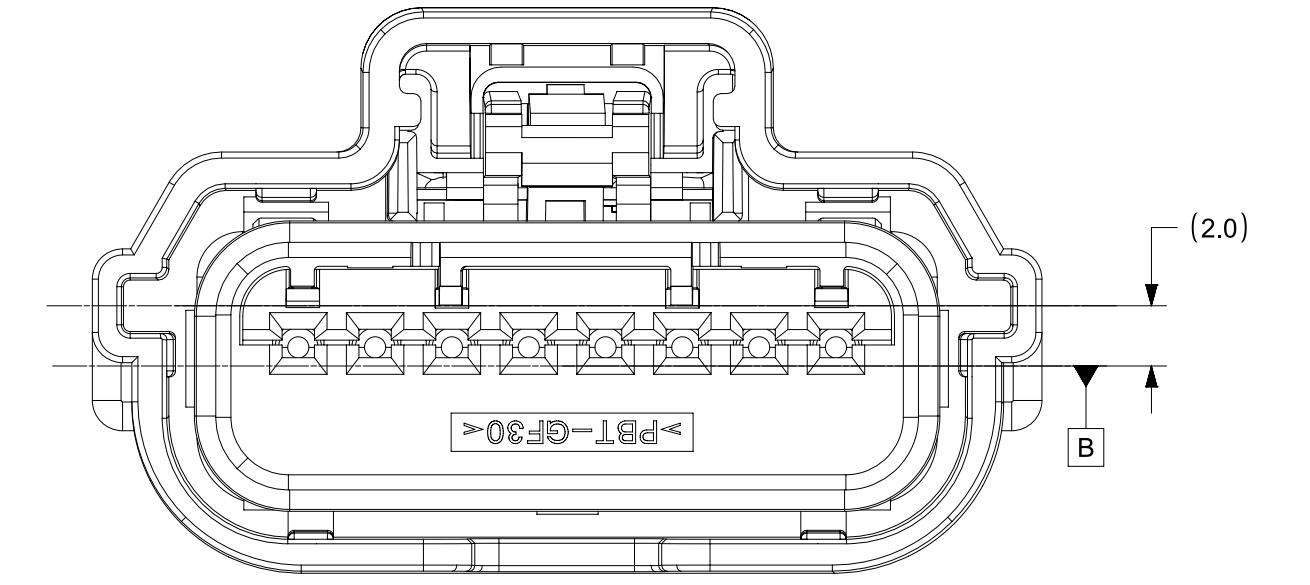
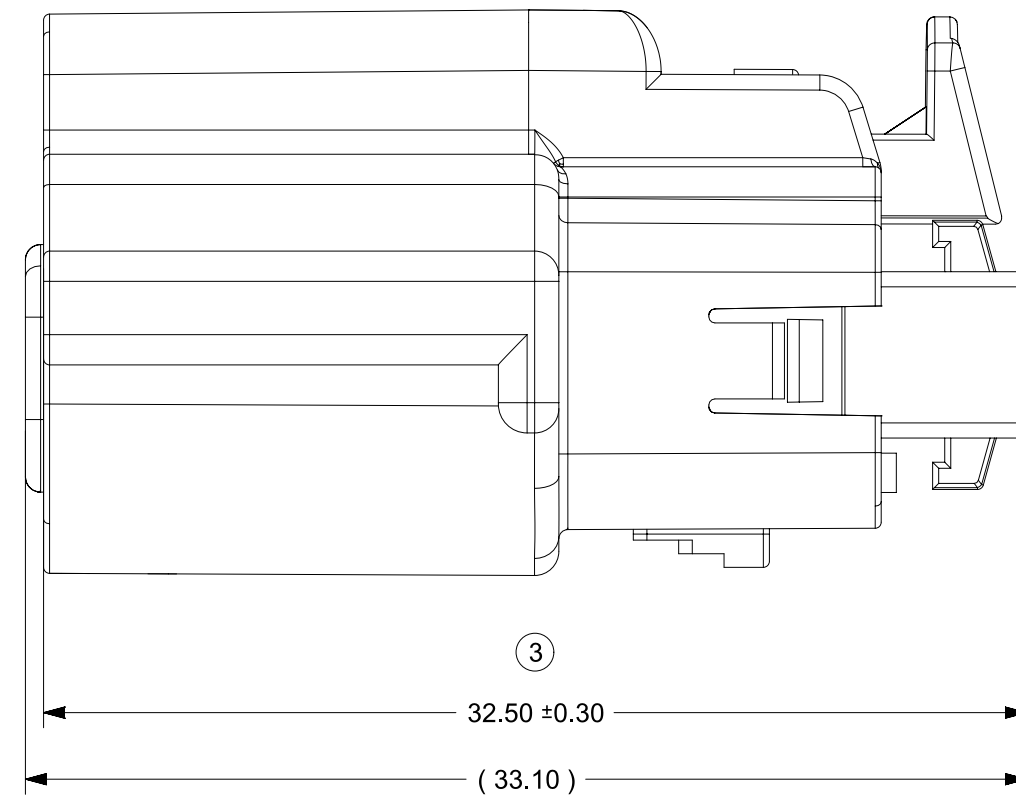
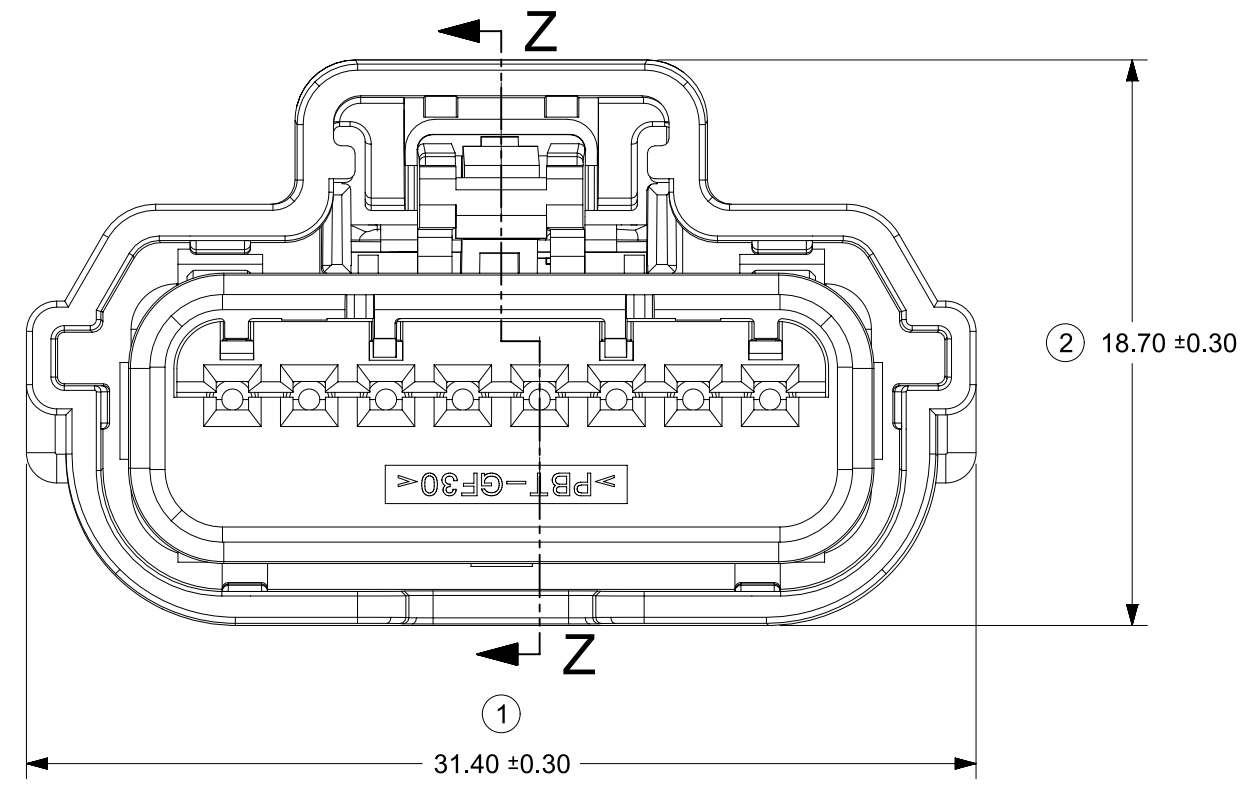
SHEET DESCRIPTION
KEY CONFIGURATIONS



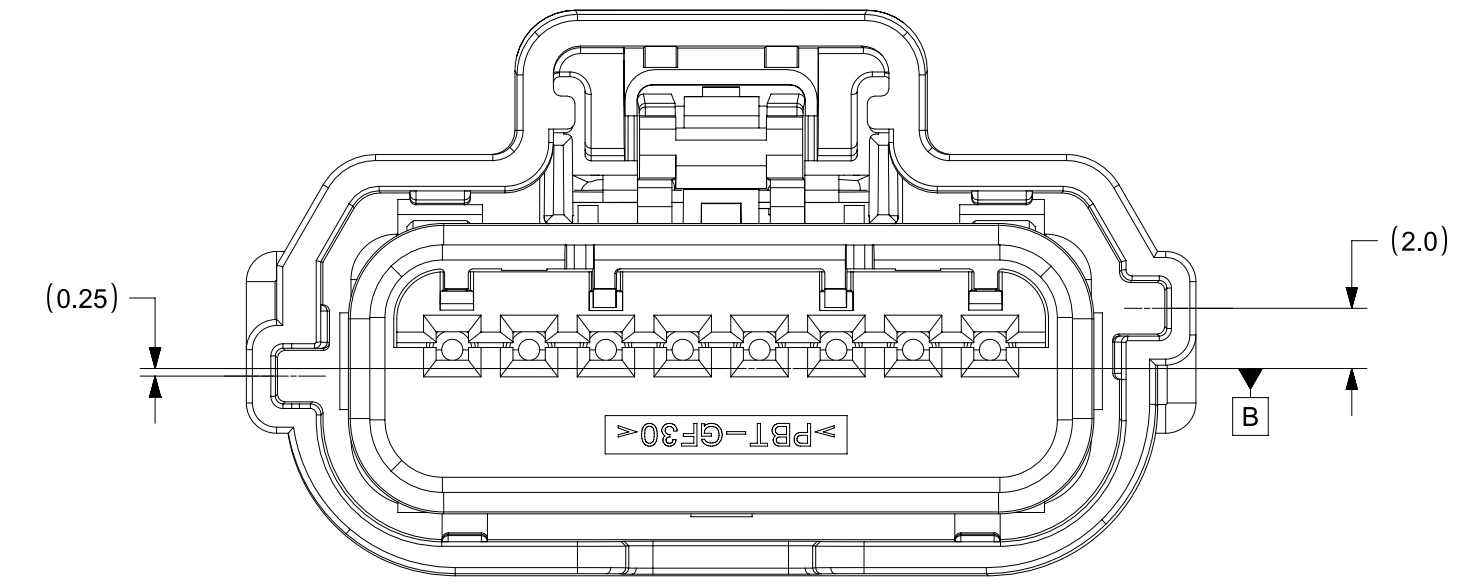
SECTION Z-Z
TPA SHOWN IN AS-SHIPPED
PRE-SET POSITION
SEE NOTE 1-a



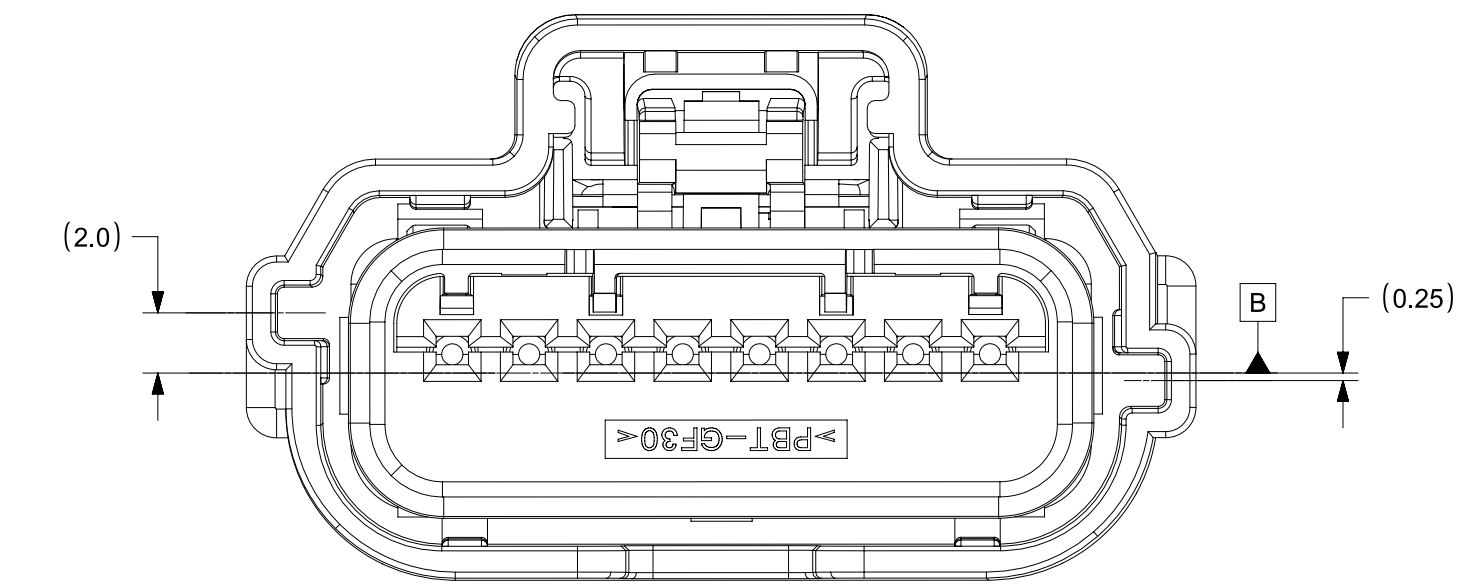
SECTION Y-Y
TPA SHOWN IN FINAL
LOCK POSITION
SEE NOTE 1-a



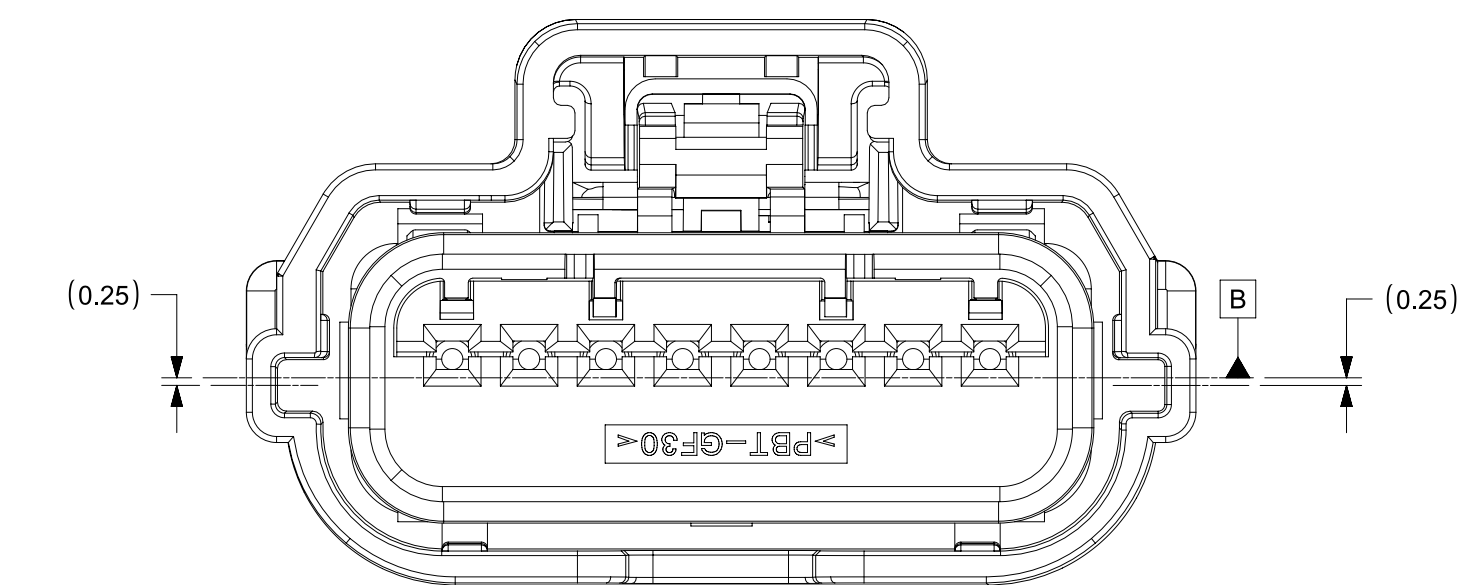
POLARIZATION A



POLARIZATION B

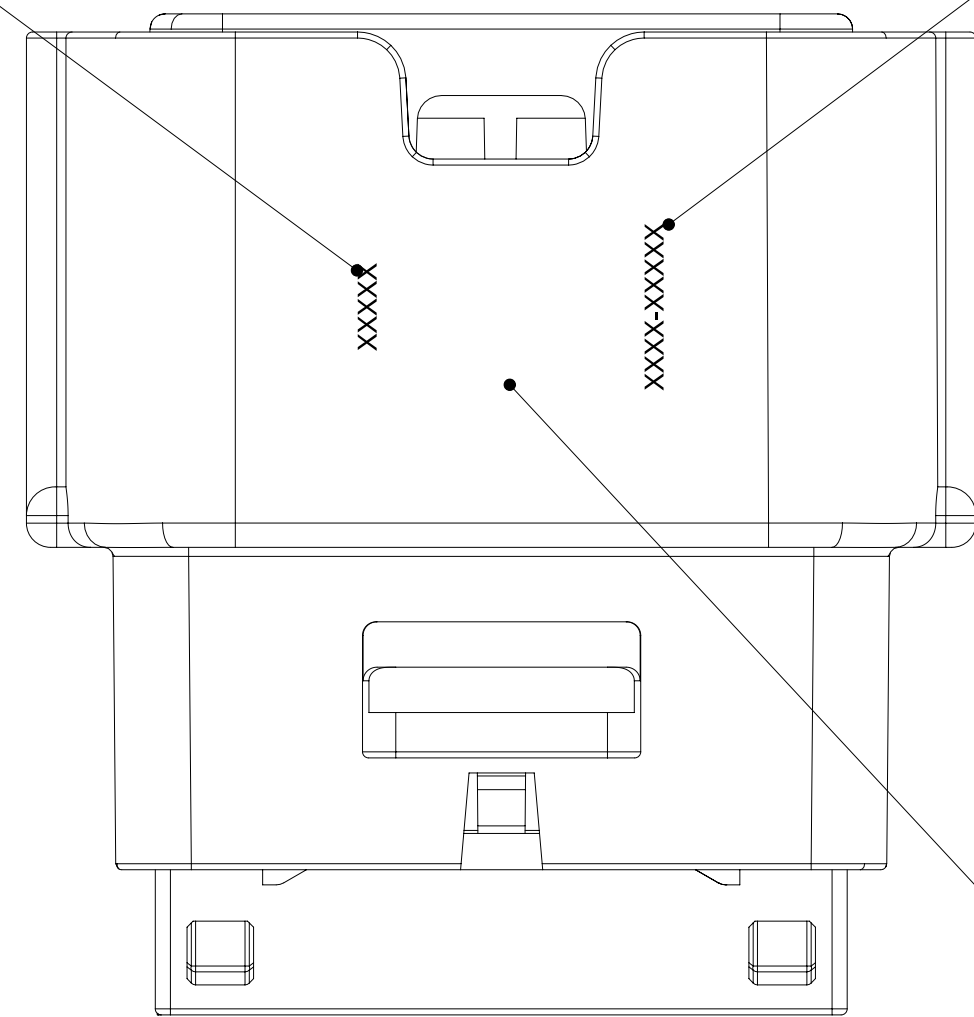


POLARIZATION C



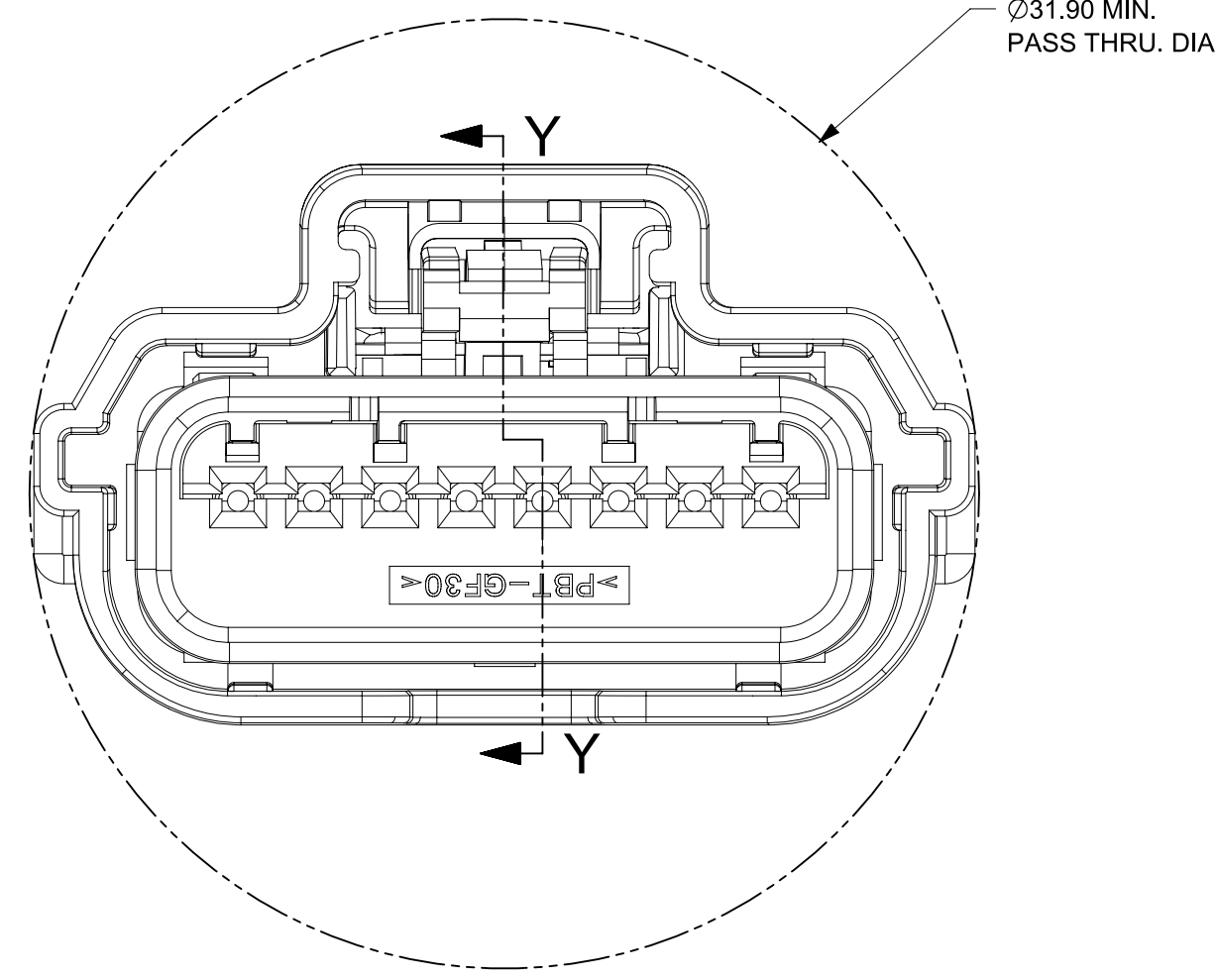
POLARIZATION D

DATE CODE
SEE NOTE 3-b



MOLEX P/N

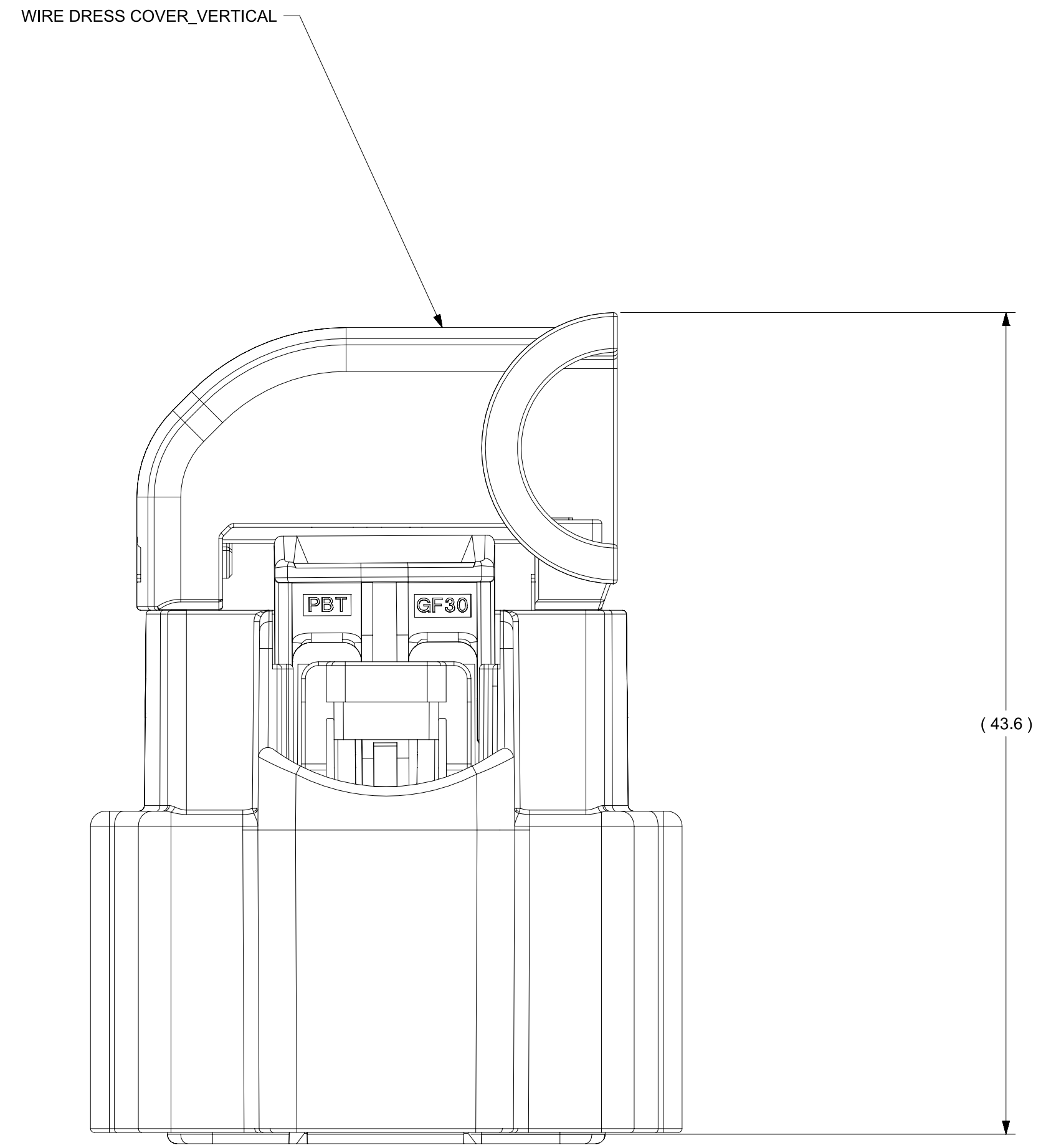
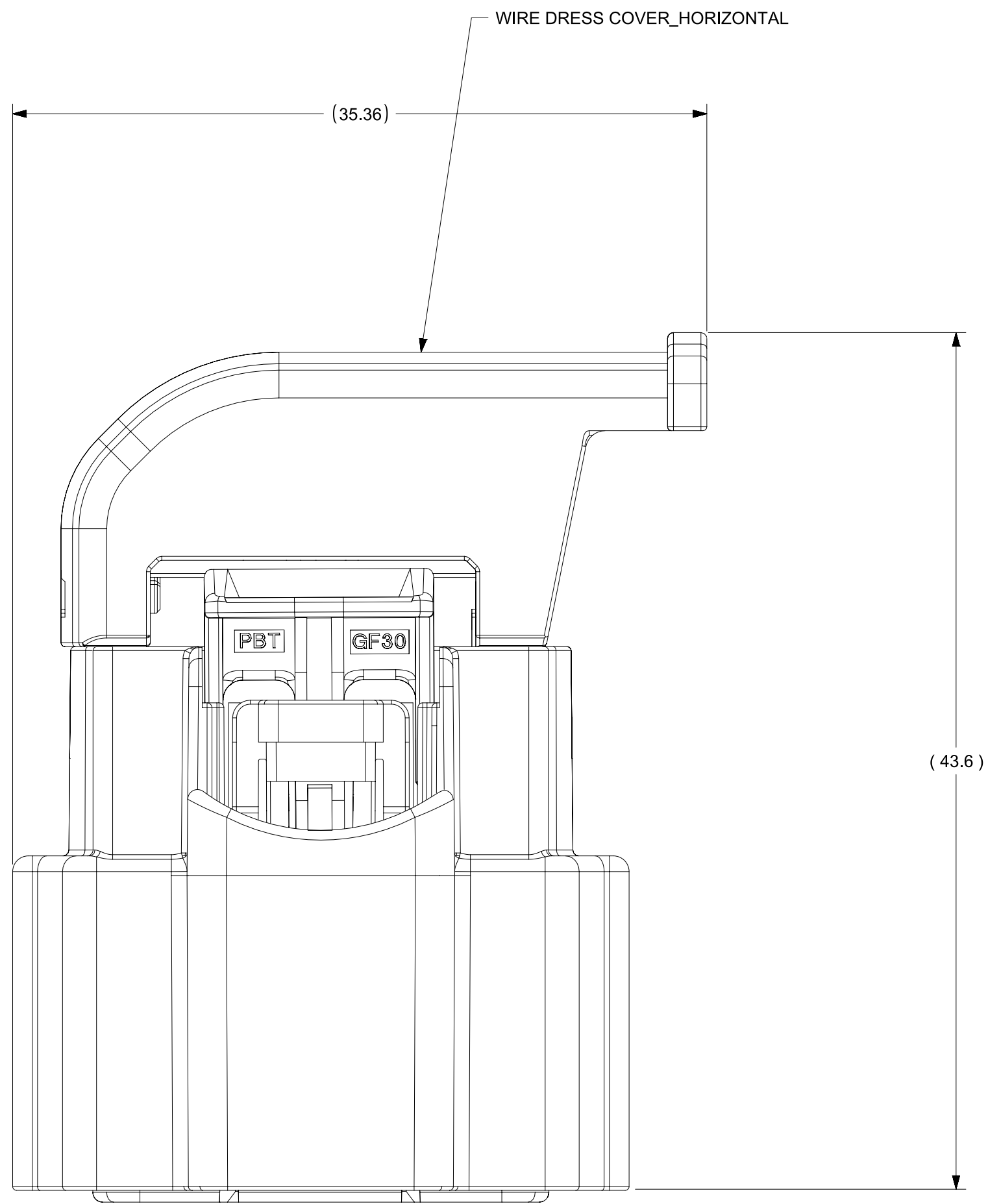
LASER MARKING APPLIED
TO THIS SURFACE



4
Ø31.90 MIN.
PASS THRU. DIA.

SYMBOLS	THIS DRAWING CONTAINS INFORMATION THAT IS PROPRIETARY TO MOLEX ELECTRONIC TECHNOLOGIES, LLC AND SHOULD NOT BE USED WITHOUT WRITTEN PERMISSION		CURRENT REV DESC:			molex		
	▽ = 0	mm						
▽ = 0	GENERAL TOLERANCES (UNLESS SPECIFIED)		EC NO: CO-000000853			USCAR 0.64MM 8 WAY ADD NEW P/N: 314049184/9194		
▽ = 0	ANGULAR TOL ± 0.5°		DRWN: Yan Allen 15-Apr-2022			PRODUCT SALES DRAWING		
▽ = 0	4 PLACES ± 0		CHK'D: Fiona Chen 15-Apr-2022			DOCUMENT NUMBER		
▽ = 0	3 PLACES ± 0		APPR: Colin Zhang 20-Apr-2022			SD-31404-811		
▽ = 0	2 PLACES ± 0		INITIAL REVISION:			DOC TYPE DOC PART REVISION		
▽ = 0	1 PLACE ± 0		DRWN: Yan Allen 14-Feb-2022			PSD 001 G12		
▽ = 0	0 PLACES ± 0		APPR: David Xie 24-Feb-2022			MATERIAL NUMBER		
▽ = 0	DRAFT WHERE APPLICABLE MUST REMAIN WITHIN DIMENSIONS		THIRD ANGLE PROJECTION		DRAWING		CUSTOMER	
▽ = 0			A1-SIZE		SERIES		SHEET NUMBER	
			31404		GENERAL MARKET		3 OF 4	

SHEET DESCRIPTION
WIRE DRESS COVER ASSEMBLY



SYMBOLS	THIS DRAWING CONTAINS INFORMATION THAT IS PROPRIETARY TO MOLEX ELECTRONIC TECHNOLOGIES, LLC AND SHOULD NOT BE USED WITHOUT WRITTEN PERMISSION		
	DIMENSION UNITS	SCALE	CURRENT REV DESC:
▽ = 0	mm	4:1	EC NO: CO-000000853 DRWN: Yan Allen 15-Apr-2022 CHK'D: Fiona Chen 15-Apr-2022 APPR: Colin Zhang 20-Apr-2022 INITIAL REVISION: DRWN: Yan Allen 14-Feb-2022 APPR: David Xie 24-Feb-2022
▽ = 0	GENERAL TOLERANCES (UNLESS SPECIFIED)		
▽ = 0	ANGULAR TOL ± 0.5°		
▽ = 0	4 PLACES	± 0	
▽ = 0	3 PLACES	± 0	DOCUMENT NUMBER SD-31404-811
▽ = 0	2 PLACES	± 0	
▽ = 0	1 PLACE	± 0	MATERIAL NUMBER CUSTOMER GENERAL MARKET
▽ = 0	0 PLACES	± 0	
☒ = 0	DRAFT WHERE APPLICABLE MUST REMAIN WITHIN DIMENSIONS		THIRD ANGLE PROJECTION
▽ = 0			DRAWING A1-SIZE
			SERIES 31404

molex

USCAR 0.64MM 8 WAY
ADD NEW P/N: 314049184/9194

PRODUCT SALES DRAWING