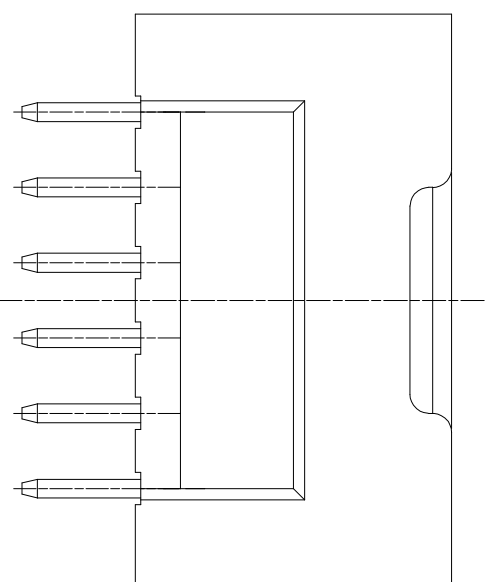
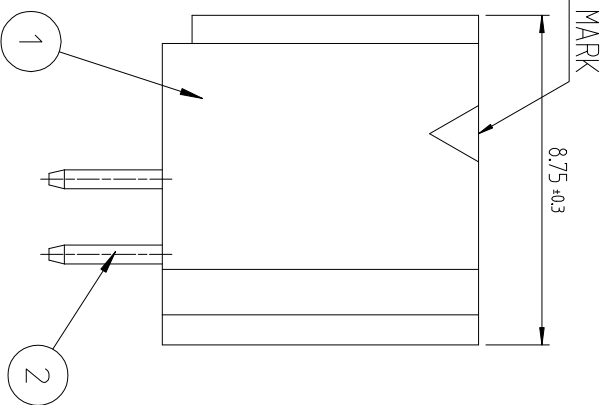
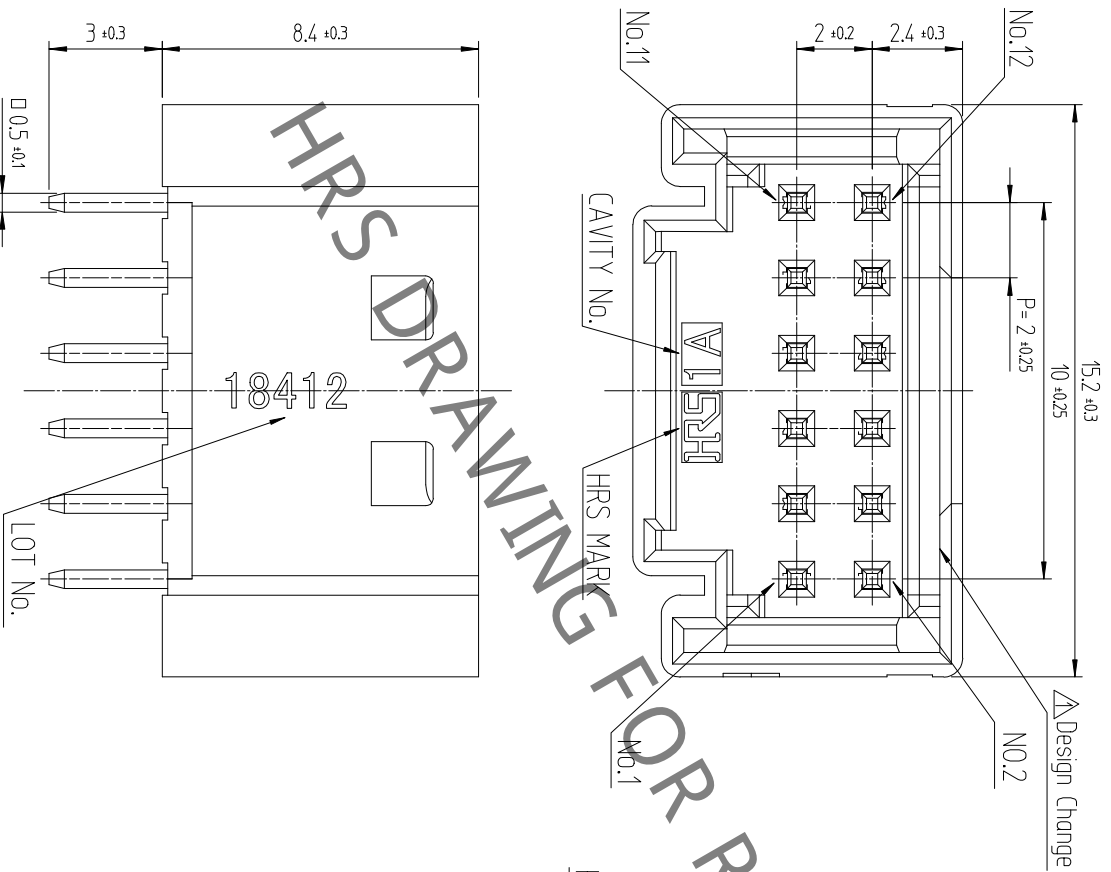
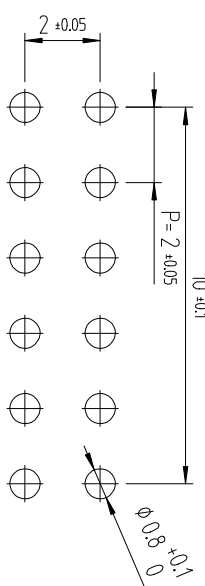


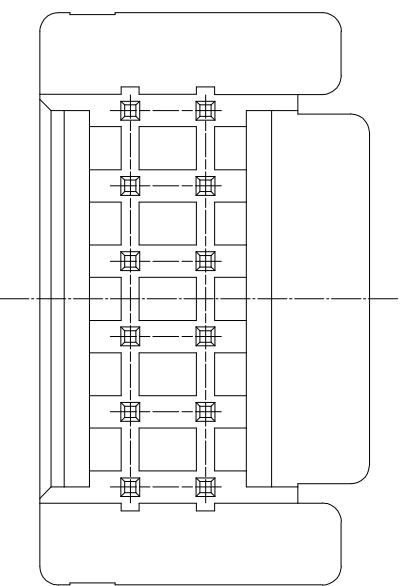
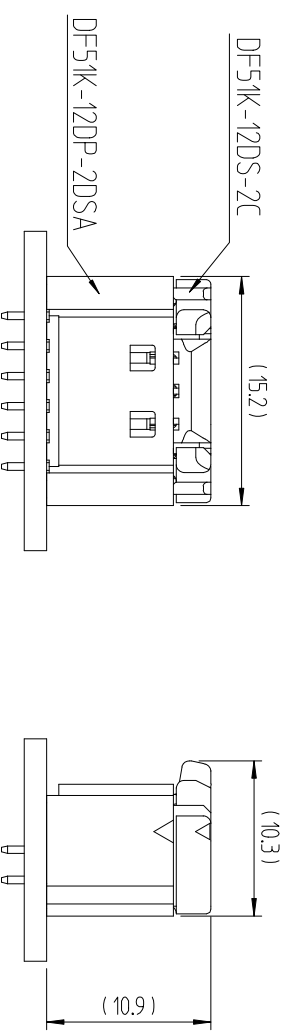
△數	訂正事項	檢圖	年月日	△數	訂正事項	檢圖	年月日
COUNT	DESCRIPTION OF REVISIONS	CHKD	DATE	COUNT	DESCRIPTION OF REVISIONS	CHKD	DATE
1	RE-6-1150	KI.Y	18. 07. 04				
2	RE-6-1579	KI.Y	20. 01. 23				

RECOMMENDED LAND PATTERN (FREE)

(PCB THICKNESS t=1.6mm)



ENGAGEMENT FIGURE (2:1)



NOTE 1. 1PACK CONTAINS 100PCS.

2. () DIMENSIONS ARE ONLY REFERENCE.

△ 3. UL(UL File No. E132750) AUTHORIZATION ARTICLE.

C-UL(UL File No. E132750) AUTHORIZATION ARTICLE.



NO.	△ PA66	UL94V-0, BLACK	2	BRASS	TIN PLATING 1μm MIN, OVER NICKEL 0.5μm MIN
1	△ PA66	UL94V-0, BLACK	2	BRASS	TIN PLATING 1μm MIN, OVER NICKEL 0.5μm MIN
MATERIAL		FINISH/REMARKS		FINISH/REMARKS	
CODE NO. (OLD)		DRAWN		APPROVED	
		CHOI (17.12.22) JS		KANG (17.12.22) T.S	
		DESIGNED		RELEASED	
		CHOI (17.12.22) JS		ENG (20.02.12) DEPT	
		CHECKED			
		LIM (17.12.22) S.M			
DRAWING NO.		PART NO.			
EDC3-632461		DF51K-12DP-2DSA (800)			
SCALE		CODE NO.			
5:1		CL 6652-0010-2-800			
UNITS					
mm					