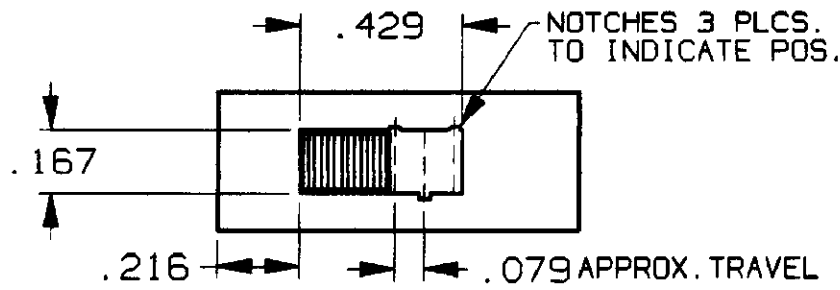
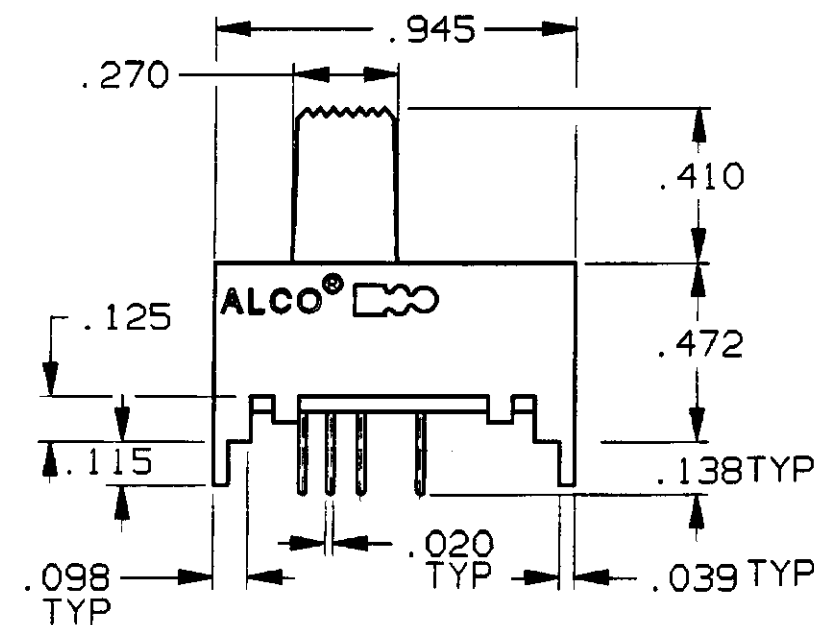
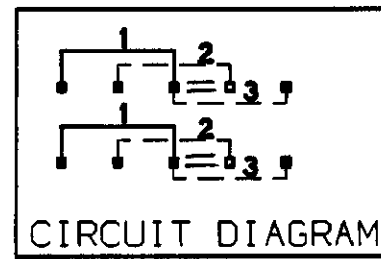


CONVERSION CHART

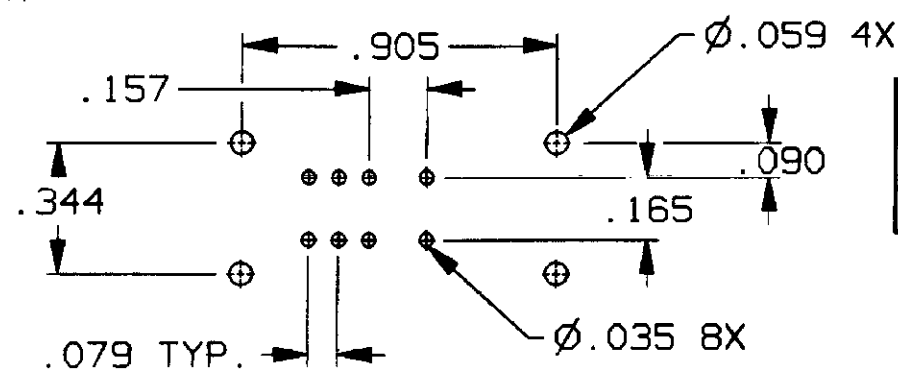
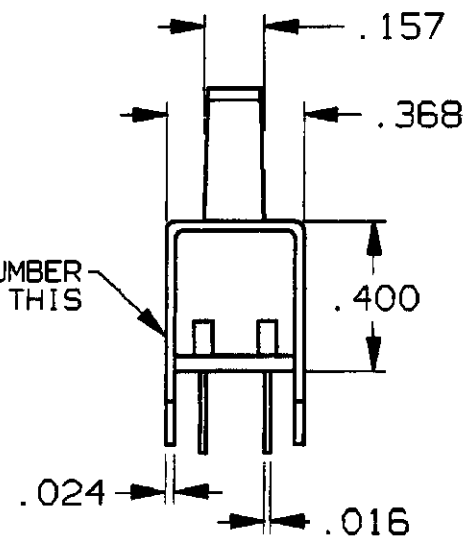
INCH	MM
.010	0.25
.016	0.40
.020	0.50
.024	0.60
.035	0.88
.039	0.99
.059	1.49
.079	2.00
.090	2.28
.098	2.48
.115	2.92
.125	3.17
.138	3.50
.157	3.98
.165	4.19
.167	4.24
.216	5.48
.270	6.85
.368	9.34
.400	10.16
.410	10.41
.905	22.98
.945	24.00



NOTCHES 3 PLCS. TO INDICATE POS.



MODEL NUMBER STAMPED THIS SIDE



MSSA-2350G	GOLD
MSSA-2350	SILVER
MODEL NO.	PLATING

RECOMMENDED HOLE LAYOUT
TOLERANCE ±.002 UNLESS OTHERWISE NOTED

SPECIFICATIONS:

MATERIALS:

CASE: STEEL

ACTUATOR: POLYESTER UL 94V-0

MOVABLE CONTACT: COPPER ALLOY, SILVER OR GOLD PLATED.

STATIONARY CONTACT: COPPER ALLOY, SILVER OR GOLD PLATED.

TERMINALS: COPPER ALLOY, SILVER OR GOLD PLATED.

ELECTRICAL:

CONTACT RATING: GOLD: 0.4 VA 20 VDC OR PEAK AC
SILVER: 300 mA @ 125 VAC

CONTACT RESISTANCE: 30mΩ MAX. INITIAL.

INSULATION RESISTANCE: 1,000 MEGOHMS MIN.

DIELECTRIC STRENGTH: 500V RMS @ SEA LEVEL.

LIFE EXPECTANCY: 15,000 CYCLES MIN.

MECHANICAL:

ACTUATION FORCE: 470 GRAMS AVERAGE.

ENVIRONMENTAL:

OPERATING TEMPERATURE: -4°F TO +185°F
(-20°C TO +85°C)

STORAGE TEMPERATURE: -40°F TO +212°F
(-40°C TO +100°C)

NOTES:

1. INTERPRET DRAWING PER ASME Y14.5M-1994.
2. TERMINALS ARE EPOXY SEALED.

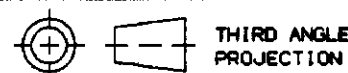
AUGAT D/N 40120-SD

CUSTOMER DRAWING

SPECIFICATIONS ARE SUBJECT TO CHANGES WITHOUT NOTICE



REV	A
REVISIONS	OG3C-0173-02



UNLESS OTHERWISE SPECIFIED
DIMENSIONS ARE IN INCHES
DO NOT SCALE PRINT

ORIGINAL DATE OF DRAWING: 6-20-96

TYCO ELECTRONICS

TOLERANCES (EXCEPT AS NOTED)
ANGULAR =
DECIMAL .XX =
DECIMAL .XXX = ±.010
DECIMAL .XXXX =

MATERIAL:
SEE SPECIFICATIONS

DRAWN: TRU-D DATE: 6-20-96

TITLE: **CUSTOMER DRAWING**
SLIDE SWITCH
(MSSA-2350)

AUGAT CONFIDENTIAL
This document contains information
which is the exclusive property of
Augat Inc.
Distribution, reproduction or use by
others is not permitted without the
expressed written consent of Augat
Inc.

FINISH:
SEE SPECIFICATIONS

CHECKED: DATE:
APPROVED: DATE:

DWG. NO. **5-1437580-3** REV. **A**

CODE IDENT. NO. **91506** DWG. SIZE **B**

PRODUCT CODE: C51
SCALE: SHEET 1 OF 1