



PART NAME

PTQ SERIES ENCLOSURE

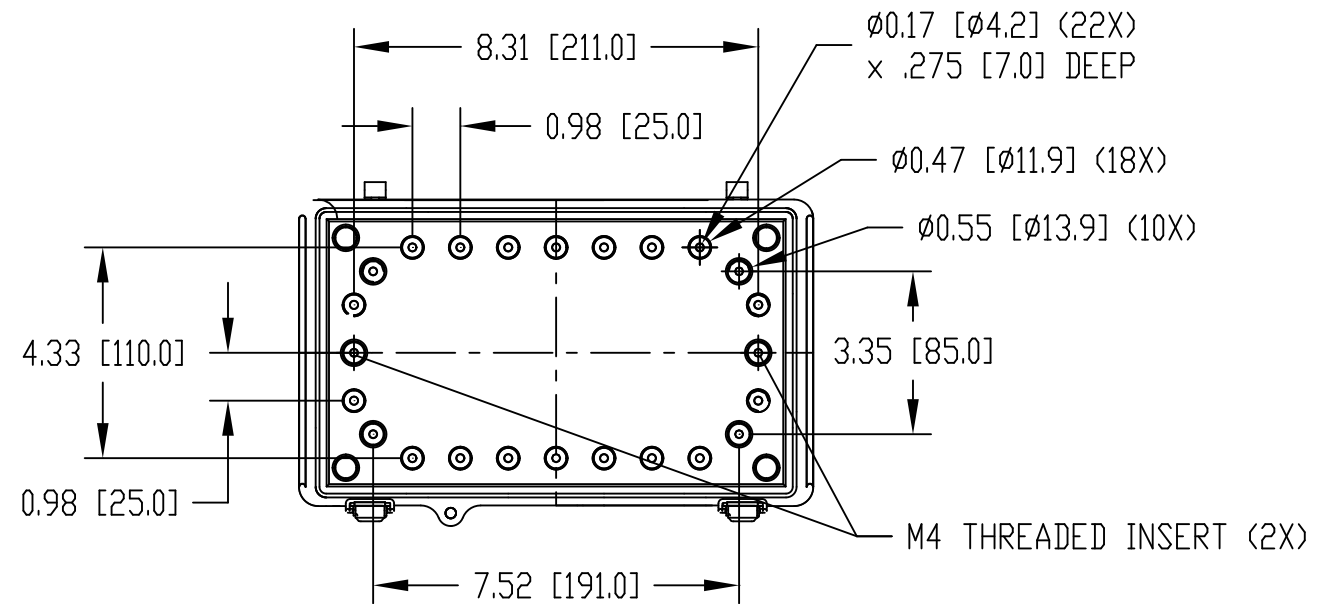
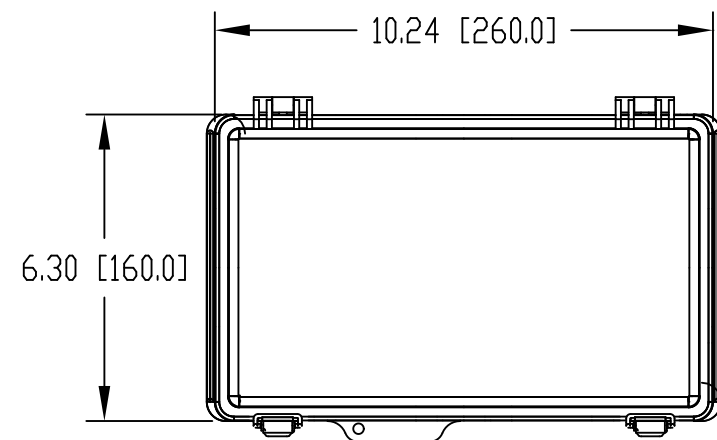
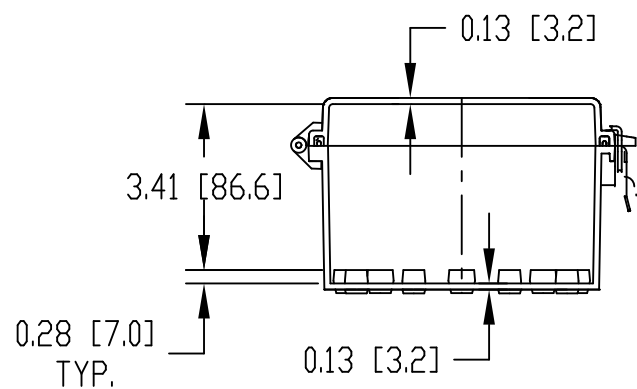
PART No.

PTQ-11050

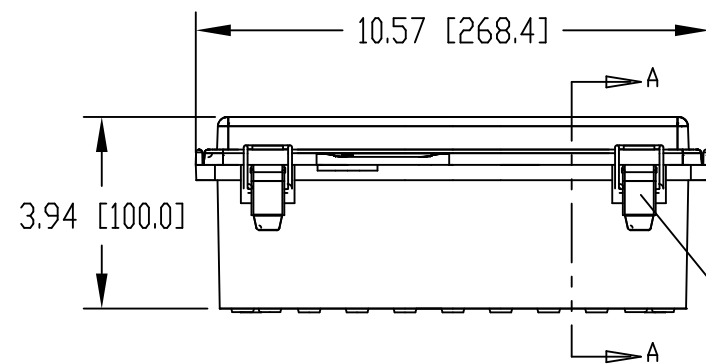
PTQ-11050-C

REV. DATE

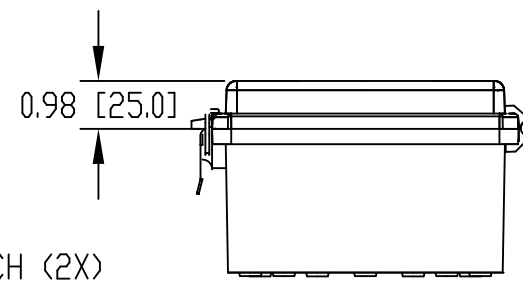
12-2-15

INSIDE VIEW OF BODY  
WITH COVER REMOVED

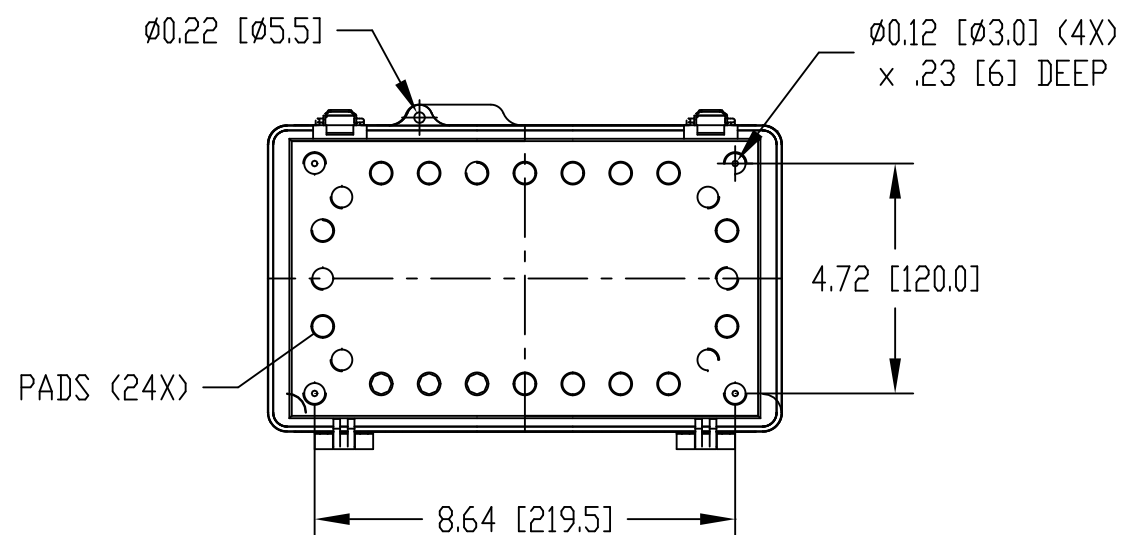
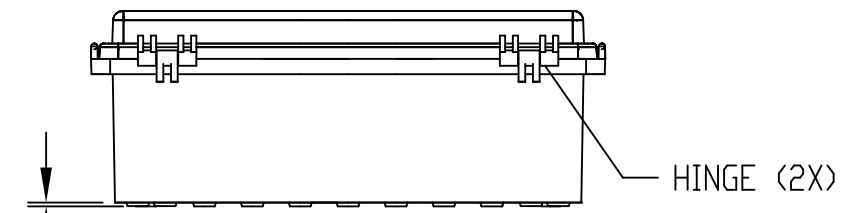
SECTION A-A



LATCH (2X)



0.08 [2.0] PADS



MATERIAL:

BODY - POLYCARBONATE RESIN 10% GLASS FIBER FILLED  
COVER - POLYCARBONATE

COLOR:

BODY - LIGHT GRAY  
COVER - LIGHT GRAY OR CLEAR (SUFFIX -C)UL508 / NEMA TYPE 4X WITH IP-67 TUV RATING & UL-94V0 RATING  
CONTINUOUS GASKET IN COVER  
SUPPLIED WITH TWO M4 x 8mm LG. TRUSS HEAD MACHINE SCREWS  
DIMENSIONS ARE INCH [MM]  
DRAWING FOR REFERENCE

OPTIONAL ACCESSORIES:

INTERNAL STEEL PANEL - #PTX-11050  
INTERNAL PLASTIC PANEL - #PTX-11050-P  
MOUNTING BRACKET KIT (STAINLESS STEEL) - #NBX-10920  
MOUNTING BRACKET KIT (PLASTIC) - #PIX-4117