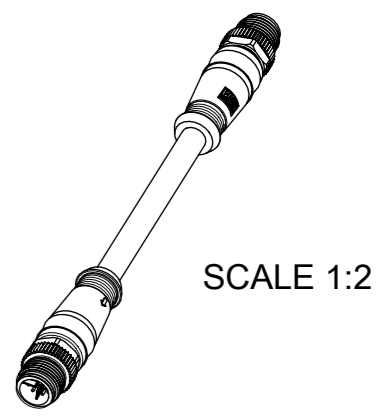


NOTES:
 VOLTAGE RATING: 48 V
 CURRENT RATING: 0.5 A
 TEMPERATURE RATING:
 STATIC: -40 °C TO 80 °C
 DYNAMIC: -20 °C TO 80 °C
 IP RATING: IP 67 (IN MATED AND LOCKED CONDITION)
 TRANSMISSION CHARACTERISTICS ACCORDING TO ISO/IEC 11801 CLASS EA CHANNEL,
 WITH INSERTION LOSS BEING IGNORED FOR CABLE LENGTHS < 1 m OR > 65 m
 PACKAGING: CORDSETS ARE PACKED IN A POLYBAG



BILL OF MATERIAL

| ITEM | QTY | DESCRIPTION | MATERIAL | FINISH/COLOR |
|------|-----|--------------------------|---------------|--------------|
| 1 | 1 | CABLE | PUR | GREEN |
| 2 | 16 | CONTACT 6 MALE | BRASS | Au OVER Ni |
| 3 | - | MOLDING MATERIAL | TPU | BLACK |
| 4 | 2 | INSERT M12 CAT6A MALE 8P | PA6 | BLACK |
| 5 | 2 | SHELL M12 CAT6A | ZINC DIE-CAST | Ni PLATED |
| 6 | 2 | NUT M12 MALE | BRASS | Ni PLATED |
| 7 | 2 | I/D CARRIER | PVC | TRANSPARENT |
| 8 | 1 | LABEL 2.0X1.75 | VINYL | YELLOW |


| | | | | | |
|----------------------------|---|---|-----------------------------|-------------------------------------|---------------------------------|
| FUNCTIONAL SYMBOLS | THIS DRAWING CONTAINS INFORMATION THAT IS PROPRIETARY TO MOLEX ELECTRONIC TECHNOLOGIES, LLC AND SHOULD NOT BE USED WITHOUT WRITTEN PERMISSION | CURRENT REV DESC: NOTE CHANGED | | molex | |
| | DIMENSION UNITS: mm SCALE: 2:1 GENERAL TOLERANCES (UNLESS SPECIFIED): ANGULAR TOL ± 1.0° 4 PLACES ± 3 PLACES ± 2 PLACES ± 0.05 1 PLACE ± 0.3 0 PLACES ± 0.5 | EC NO: 692351 DRWN: HDUERRWANG 2022/01/17 CHK'D: RSILLER 2022/01/25 APPR: RSILLER 2022/01/25 | | | |
| DIVISIONAL SYMBOLS | DRAFT WHERE APPLICABLE MUST REMAIN WITHIN DIMENSIONS | | THIRD ANGLE PROJECTION | DRAWING: A3-SIZE | SERIES: 120341 |
| | DOCUMENT NUMBER: 1203410300 | | DOC TYPE: PSD | DOC PART: 000 | REVISION: A8 |
| DOCUMENT STATUS: P1 | | RELEASE DATE: 2022/01/25 | 10:26:18 | MATERIAL NUMBER: SEE TABLE 1 | CUSTOMER: GENERAL MARKET |
| | | | SHEET NUMBER: 1 OF 2 | | |

TABLE 1

| MOLEX PN | ENGINEERING NO. | DESCRIPTION | LENGTH [mm] |
|-----------------|-----------------|---------------------------------------|-------------|
| 1203410312 | E22E06020C250 | M12 CAT6A M/M ST/ST PUR GREEN 0.25M | 250 |
| 1203410300 | E22E06020M005 | M12 CAT6A M/M ST/ST PUR GREEN 0.5M | 500 |
| 1203410301 | E22E06020M010 | M12 CAT6A M/M ST/ST PUR GREEN 1M | 1000 |
| 1203410313 | E22E06020M015 | M12 CAT6A M/M ST/ST PUR GREEN 1.5M | 1500 |
| 1203410302 | E22E06020M020 | M12 CAT6A M/M ST/ST PUR GREEN 2M | 2000 |
| 1203410303 | E22E06020M030 | M12 CAT6A M/M ST/ST PUR GREEN 3M | 3000 |
| 1203410304 | E22E06020M040 | M12 CAT6A M/M ST/ST PUR GREEN 4M | 4000 |
| 1203410305 | E22E06020M050 | M12 CAT6A M/M ST/ST PUR GREEN 5M | 5000 |
| 1203410859 | E22E06020M070 | M12 CAT6A M/M ST/ST PUR GREEN 7M | 7000 |
| 1203410374 | E22E06020M080 | M12 CAT6A M/M ST/ST PUR GREEN 8M | 8000 |
| 1203410306 | E22E06020M100 | M12 CAT6A M/M ST/ST PUR GREEN 10M | 10000 |
| 1203410375 | E22E06020M120 | M12 CAT6A M/M ST/ST PUR GREEN 12M | 12000 |
| 1203410307 | E22E06020M150 | M12 CAT6A M/M ST/ST PUR GREEN 15M | 15000 |
| 1203410376 | E22E06020M180 | M12 CAT6A M/M ST/ST PUR GREEN 18M | 18000 |
| 1203410308 | E22E06020M200 | M12 CAT6A M/M ST/ST PUR GREEN 20M | 20000 |
| 1203410377 | E22E06020M220 | M12 CAT6A M/M ST/ST PUR GREEN 22M | 22000 |
| 1203410311 | E22E06020M250 | M12 CAT6A M/M ST/ST PUR GREEN 25M | 25000 |
| 1203410309 | E22E06020M300 | M12 CAT6A M/M ST/ST PUR GREEN 30M | 30000 |
| 1203410823 | E22E06020M340 | M12 CAT6A M/M ST/ST PUR GREEN 34M | 34000 |
| 1203410378 | E22E06020M350 | M12 CAT6A M/M ST/ST PUR GREEN 35M | 35000 |
| 1203410310 | E22E06020M400 | M12 CAT6A M/M ST/ST PUR GREEN 40M | 40000 |
| 1203410379 | E22E06020M450 | M12 CAT6A M/M ST/ST PUR GREEN 45M | 45000 |
| 1203410371 | E22E06020M500 | M12 CAT6A M/M ST/ST PUR GREEN 50M | 50000 |
| 1203410380 | E22E06020M550 | M12 CAT6A M/M ST/ST PUR GREEN 55M | 55000 |
| 1203410372 | E22E06020M600 | M12 CAT6A M/M ST/ST PUR GREEN 60M | 60000 |
| 1203410381 | E22E06020M650 | M12 CAT6A M/M ST/ST PUR GREEN 65M | 65000 |
| 1203410373 | E22E06020M700 | M12 CAT6A M/M ST/ST PUR GREEN 70M | 70000 |
| 1203410847 | E22E06020M800 | M12 CAT6A M/M ST/ST PUR GREEN 80M | 80000 |
| WITH ID CARRIER | | | |
| 1203410385 | E22E06020M005H | M12 CAT6A M/M ST/ST PUR GREEN 0.5M-ID | 500 |
| 1203410386 | E22E06020M010H | M12 CAT6A M/M ST/ST PUR GREEN 1M-ID | 1000 |
| 1203410396 | E22E06020M015H | M12 CAT6A M/M ST/ST PUR GREEN 1.5M-ID | 1500 |
| 1203410387 | E22E06020M020H | M12 CAT6A M/M ST/ST PUR GREEN 2M-ID | 2000 |
| 1203410388 | E22E06020M030H | M12 CAT6A M/M ST/ST PUR GREEN 3M-ID | 3000 |
| 1203410389 | E22E06020M040H | M12 CAT6A M/M ST/ST PUR GREEN 4M-ID | 4000 |
| 1203410390 | E22E06020M050H | M12 CAT6A M/M ST/ST PUR GREEN 5M-ID | 5000 |
| 1203410391 | E22E06020M100H | M12 CAT6A M/M ST/ST PUR GREEN 10M-ID | 10000 |
| 1203410392 | E22E06020M150H | M12 CAT6A M/M ST/ST PUR GREEN 15M-ID | 15000 |
| 1203410393 | E22E06020M200H | M12 CAT6A M/M ST/ST PUR GREEN 20M-ID | 20000 |
| 1203410922 | E22E06020M250H | M12 CAT6A M/M ST/ST PUR GREEN 25M-ID | 25000 |
| 1203410394 | E22E06020M300H | M12 CAT6A M/M ST/ST PUR GREEN 30M-ID | 30000 |
| 1203410923 | E22E06020M350H | M12 CAT6A M/M ST/ST PUR GREEN 35M-ID | 35000 |
| 1203410395 | E22E06020M400H | M12 CAT6A M/M ST/ST PUR GREEN 40M-ID | 40000 |
| 1203410984 | E22E06020M450H | M12 CAT6A M/M ST/ST PUR GREEN 45M-ID | 45000 |
| 1203410397 | E22E06020M500H | M12 CAT6A M/M ST/ST PUR GREEN 50M-ID | 50000 |
| 1203410985 | E22E06020M550H | M12 CAT6A M/M ST/ST PUR GREEN 55M-ID | 55000 |
| 1203410398 | E22E06020M600H | M12 CAT6A M/M ST/ST PUR GREEN 60M-ID | 60000 |
| 1203410986 | E22E06020M650H | M12 CAT6A M/M ST/ST PUR GREEN 65M-ID | 65000 |
| 1203410399 | E22E06020M700H | M12 CAT6A M/M ST/ST PUR GREEN 70M-ID | 70000 |
| 1203410987 | E22E06020M750H | M12 CAT6A M/M ST/ST PUR GREEN 75M-ID | 75000 |
| 1203410988 | E22E06020M850H | M12 CAT6A M/M ST/ST PUR GREEN 85M-ID | 85000 |

CABLE LENGTH TOLERANCES

| LENGTH | TOLERANCE |
|--------------|------------|
| 0 m - 1 m | +40 mm |
| >1 m - 5 m | +60 mm |
| >5 m - 10 m | +80 mm |
| >10 m - 20 m | +140 mm |
| >20 m - 30 m | +160 mm |
| >30 m | +1% length |

| | | | | |
|--|---|------------------------|---|--|
| FUNCTIONAL SYMBOLS ∇/A = 0 ∇/E = 0 ∇/Z = 0 | THIS DRAWING CONTAINS INFORMATION THAT IS PROPRIETARY TO MOLEX ELECTRONIC TECHNOLOGIES, LLC AND SHOULD NOT BE USED WITHOUT WRITTEN PERMISSION | | CURRENT REV DESC: NOTE CHANGED | |
| | DIMENSION UNITS mm | SCALE 1:1 |  CSE M12 CAT6A 8P XC MA STR PUR XM DE | |
| GENERAL TOLERANCES (UNLESS SPECIFIED) | | EC NO: 692351 | | |
| ANGULAR TOL ± 1.0° | | DRWN: HDUERRWANG | 2022/01/25 | |
| 4 PLACES ± | | CHK'D: RSILLER | 2022/01/25 | |
| 3 PLACES ± | | APPR: RSILLER | 2022/01/25 | |
| 2 PLACES ± 0.05 | | INITIAL REVISION: | | |
| 1 PLACE ± 0.3 | | DRWN: FGAIK | 2017/06/19 | |
| 0 PLACES ± 0.5 | | APPR: BBRAUCH | 2017/06/21 | |
| DRAFT WHERE APPLICABLE MUST REMAIN WITHIN DIMENSIONS | | THIRD ANGLE PROJECTION | DRAWING | |
| | | SERIES | MATERIAL NUMBER | |
| | | A3-SIZE | 120341 | |
| | | CUSTOMER | SEE TABLE 1 | |
| | | DOC TYPE | PSD | |
| | | DOC PART | 000 | |
| | | REVISION | A8 | |
| | | SHEET NUMBER | 2 OF 2 | |