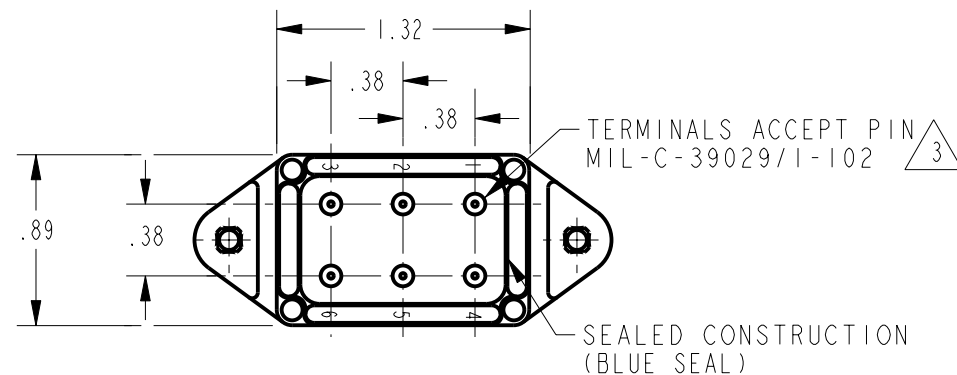
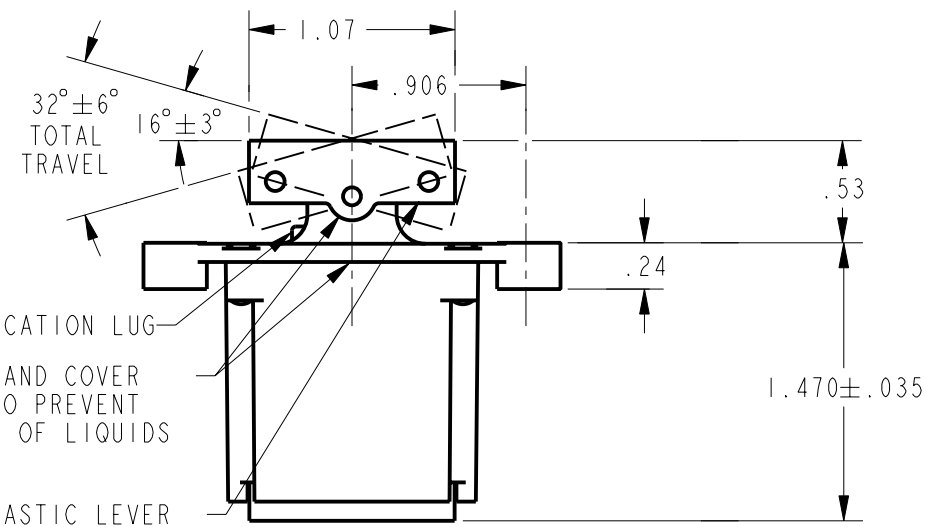
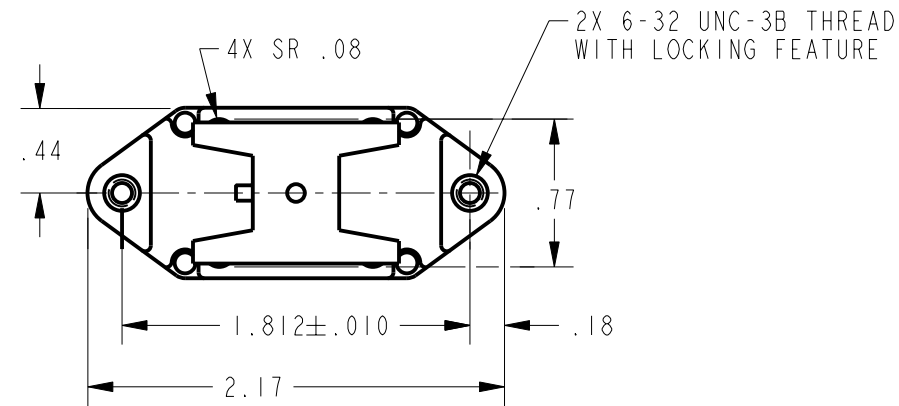


**SWITCH - TOGGLE
ABOVE PANEL MOUNT**

CATALOG LISTING

102TP81 SERIES CHART 1

THIS DRAWING COVERS A PROPRIETARY ITEM AND IS THE PROPERTY OF MICRO SWITCH. A DIVISION OF HONEYWELL. THIS DRAWING IS NOT TO BE COPIED OR USED WITHOUT THE APPROVAL OF MICRO SWITCH



CATALOG LISTING	CIRCUIT MADE WITH BUTTON DEPRESSED ON			ELECTRICAL DATA
	LUG SIDE (1-2,4-5)	CENTER (1-2,4-5)	OPPOSITE LUG (2-3,5-6)	
102TP81-1	ON	OFF	ON	L191 15A 125, <u>250</u> , 277 VAC 1/2HP 125 VAC 1HP <u>250</u> , 277 VAC 5A 125 VAC "L" CE UL ®
102TP81-2	OFF	NONE	ON	
102TP81-3	ON	NONE	ON	
102TP81-21	NONE	OFF	ON	
102TP81-31	NONE	ON	ON	
102TP81-4	MOM OFF	NONE	ON	
102TP81-5	MOM ON	OFF	ON	L192 10A 125, <u>250</u> , 277 VAC 1/4HP 125 VAC, 1/2HP <u>250</u> , 277 VAC 3A 125 VAC "L" CE UL ®
102TP81-6	MOM ON	NONE	OFF	
102TP81-7	MOM ON	OFF	MOM ON	
102TP81-8	MOM ON	NONE	ON	
102TP81-51	NONE	ON	MOM ON	
102TP81-61	MOM ON	OFF	NONE	

NOTES

- 1 - CIRCUIT DESIGNATION AND MICRO SWITCH CATALOG LISTING MARKED ON SIDE OF SWITCH
- 2 - SWITCHES ARE CAPABLE OF WITHSTANDING A TEMPERATURE OF 160°F CONTINUOUSLY AT FULL RATED LOAD
- 3 - THE SEALING GROMMET SHALL SEAL ON A SMOOTH WIRE INSULATION OF ϕ .040 TO ϕ .083 (14-16 GAGE)
- 4 - UNUSED TERMINAL HOLES MAY BE SEALED WITH PLUGS M83723/28-16
- 5 - APPLIES ONLY TO "ON" AND "MOMENTARY ON" POSITIONS

THIRD ANGLE PROJECTION	
SCALE FULL	
DO NOT SCALE PRINT	
UNLESS OTHERWISE SPECIFIED TOLERANCES ARE	
ONE PLACE	(.0) ±.030
TWO PLACE	(.00) ±.015
THREE PLACE	(.000) ±.005
ANGLES	±
WEIGHT	

CATALOG LISTING 102TP81 SERIES CHART 1
 PAGE 1 OF 1
 RELEASE NO. PR-20331
 REPLACES -
 CHECK
 REVISIONS
 A 204410
 GJW
 16NOV01
 CHECK
 16 NOV 01
 SAV
 CHECK
 16 NOV 01
 GJW
 DRAWN
 PTC/CAD 2D
 GJW
 16 NOV 01
 CHECK
 16 NOV 01
 SAV
 CHECK
 16 NOV 01
 GJW