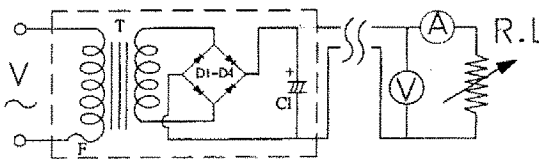
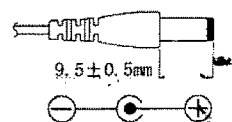
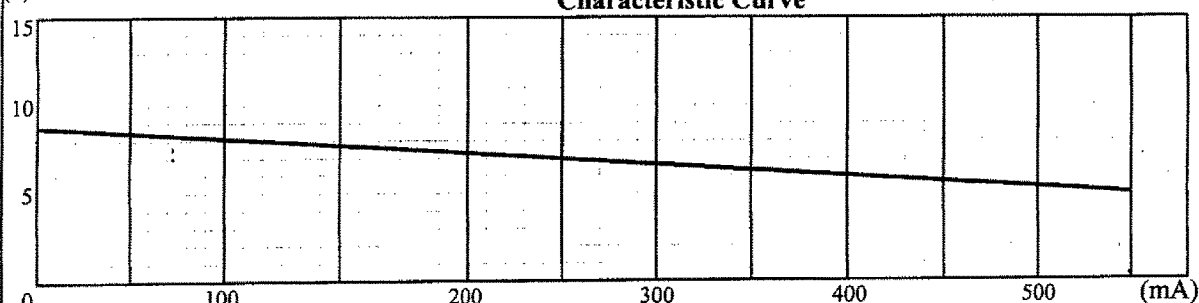
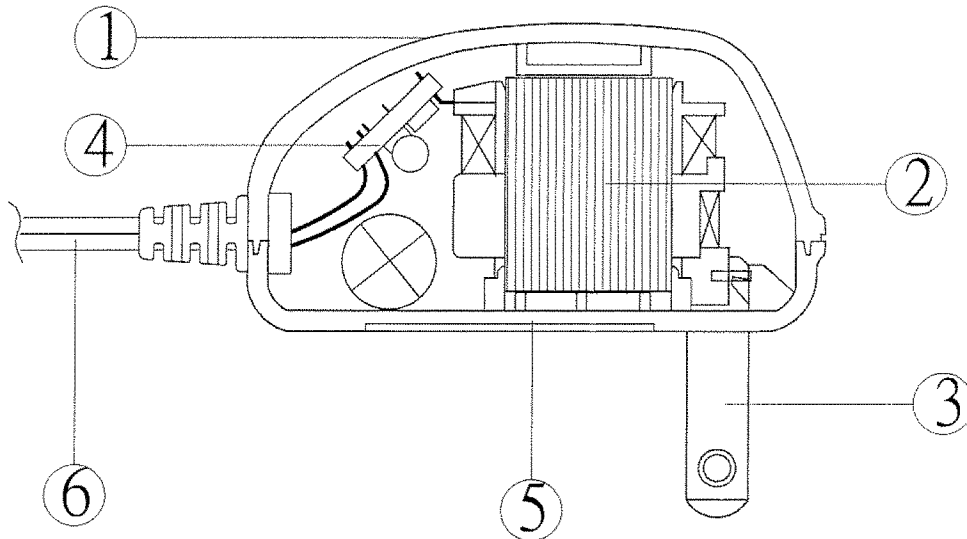


TEST DATA

ITEM	SPEC	SAMPLE									
		1	2	3	4	5	6	7	8	9	10
Primary Exciting Current Input 120VAC , 60 Hz	50 mA max	33	27	30							
Primary Load Current Input 120VAC , 60 Hz	75 mA max	57	55	61							
Secondary No Load DC Voltage	8.8V ±0.5V	8.72	8.75	8.77							
Secondary DC Voltage Load 550 mA :	5V ±0.5V	5.06	5.04	5							
Secondary Voltage Load mA	V ± %										
Secondary Voltage Load mA	V ± %										
Secondary Voltage Load mA	V ± %										
Secondary Voltage Load mA	V ± %										
Ripple Voltage Load 550 mA (PK-PK)	1.5V max	1	1	1							
Hi-Pot Test 3 mA for 3Sec.	Pri. to Sec.	2K VAC	OK	OK	OK						
	Pri. to Core	2K VAC	OK	OK	OK						
	Sec. to Core	1.5K VAC	OK	OK	OK						
Temperature Rise: 70°C MAX measured By Resistance Method (Primry Winding)											
Core Film: SPLIT						Core : EI-35					
Testing Circuit: 2200uF/10V						Output Plug Drawing: PLUG:4.0*1.7mm					
											
Output conductor length: 6FT min (AWG#22)											
Input conductor length: ft min (AWG#)											
Characteristic Curve											
											

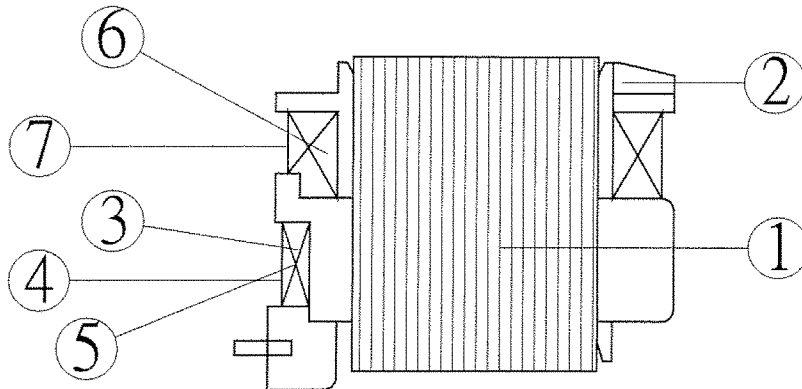
DC Adaptor Specifications

Internal Construction Drawing and Parts List (Unit: Set or EA)

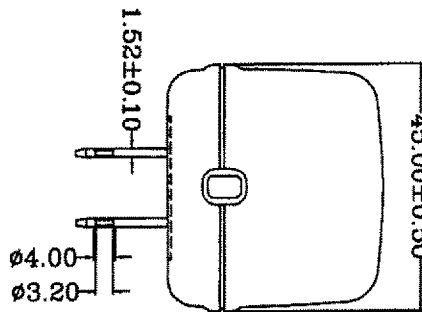
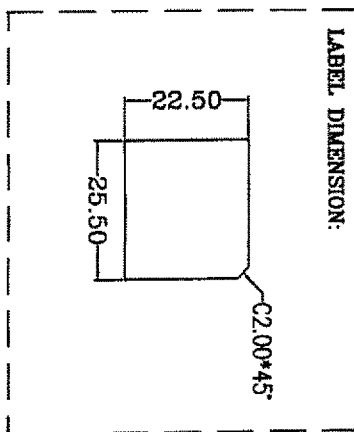
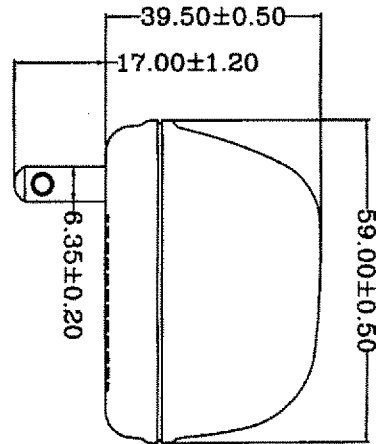
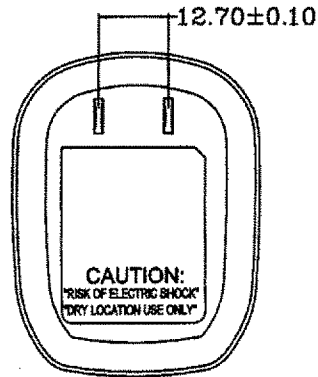


Part Name	Specification	Q'ty
1. Enclosure	Noryl SE1 94V-0 105°C	
	Noryl SE-100 94V-0 95°C	
	Noryl PX1700 94V-0 95°C	
	940(fl) 94V-0 130°C	
2. Transformer	EI-35	1
3. Blade	Ni plated brass	2
4. Print Wiring Board Assembly		
Print Wiring Board	11 94V-0 105°C	1
	13 94V-0 130°C	
Diode	1A 400-700V IN4004-IN4007	4
Capacitor	2200uf 10V 85°C	1
5. Name Plate	Polyester Film	1
6. Output Cord	AWG# 22 6FT min	1

DC Adaptor Specifications



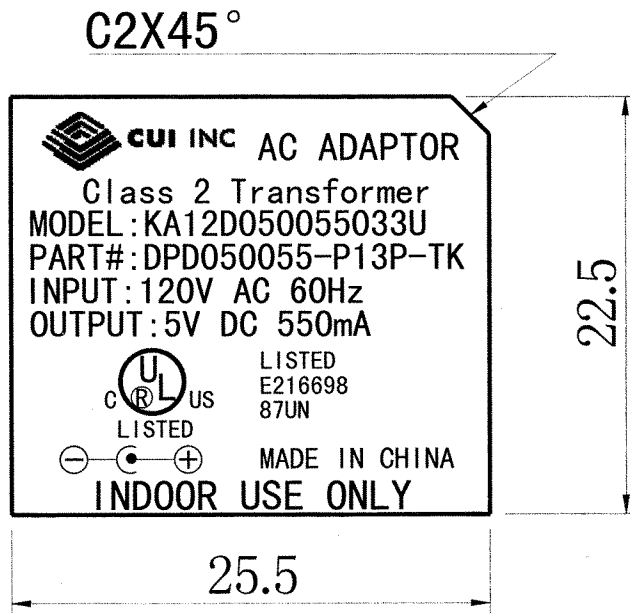
Part Name	Material & Type	Spec or Q'ty
1. Core	Silicon Steel	0.5mm
2. Bobbin	Polybutylene Terephthalate 1403G6	0.71mm
	PETP(QMFZ2) FR-530, FR530L	
	Nylon 101L	
3. Primary Winding	Polyurethane Enameled Copper wire	mm turn ohm
4. Primary Outer Winding	Mylar Tape	0.025mmx2T
5. Thermal Fuse	M20 2A 115°C 250V AC	1PC
6. Secondary Winding	Polyurethane Enameled Copper Wire	mm turn ohm
7. Secondary Outer Winding	Mylar Tape	0.025mmx2T
REV.NO.	Date	Reason





DC Adaptor Specifications

Dimension of Nameplate (Unit:mm)



Material: Polyester Film T: 0.25mm

REV.NO.	Date	Reason	Eng'r	Check