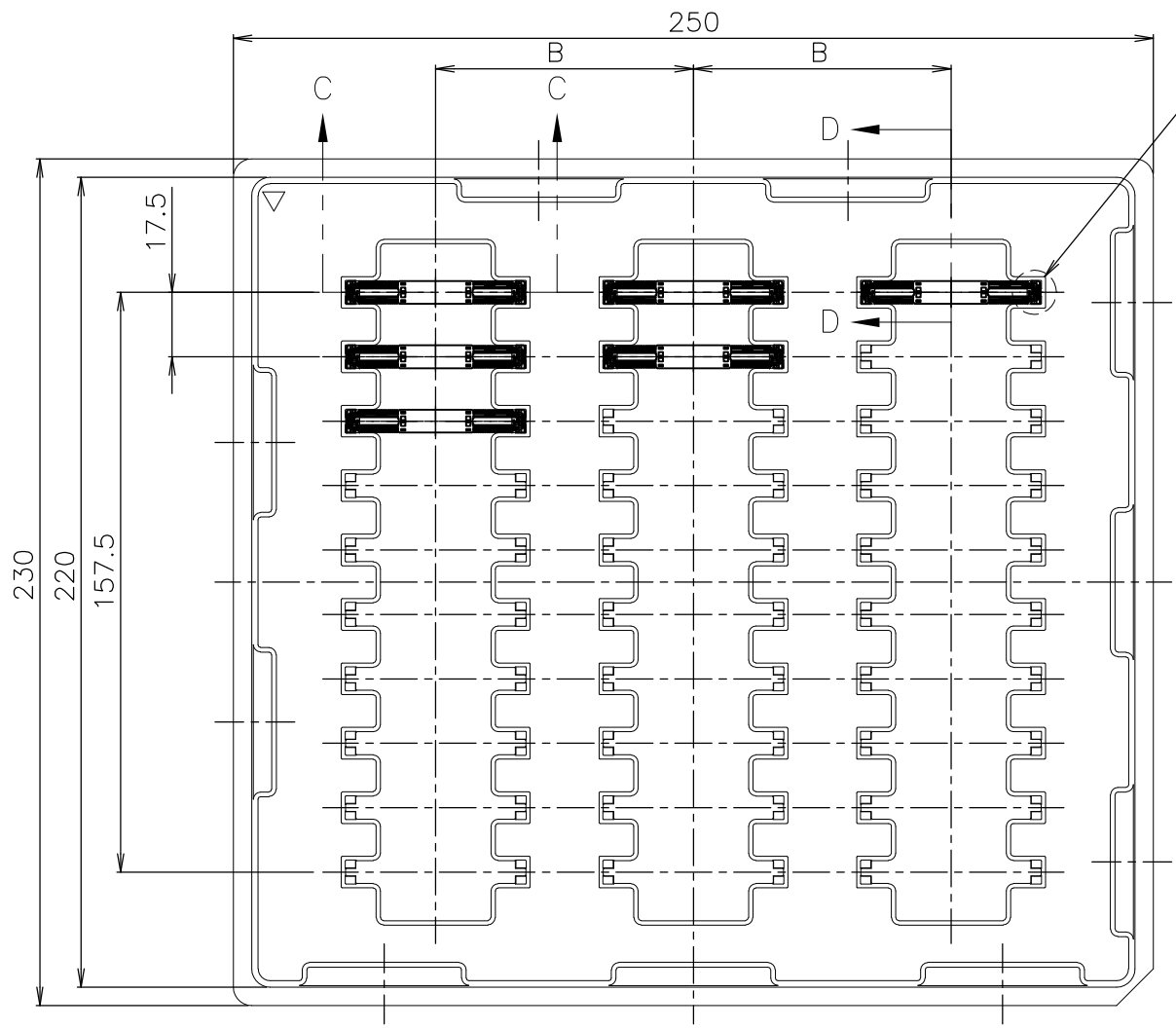
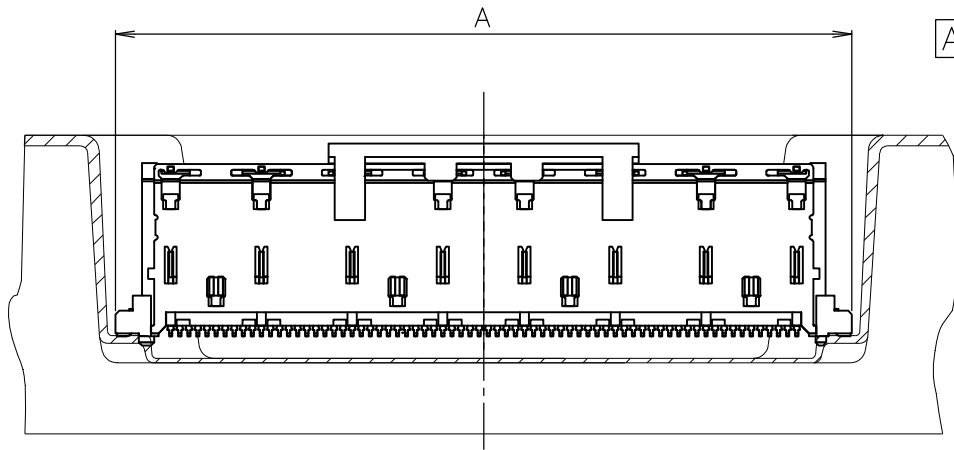


THIS DRAWING IS UNPUBLISHED. RELEASED FOR PUBLICATION OCT. 2008.  
 © COPYRIGHT 2008 By - ALL RIGHTS RESERVED.

| LOC | DIST | REVISIONS |     |             | DATE      | DWN | APVD |
|-----|------|-----------|-----|-------------|-----------|-----|------|
| J   |      | P         | LTR | DESCRIPTION |           |     |      |
|     |      | A1        |     | OBSOLETE    | 02APR2015 | I.T | W.H  |

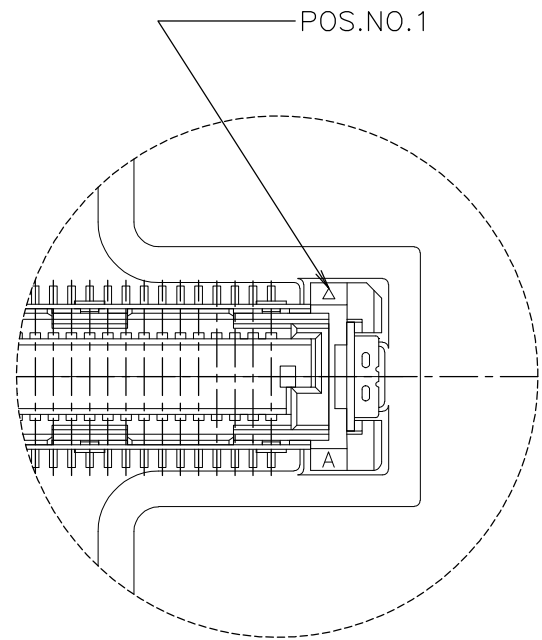


SEE DETAIL E

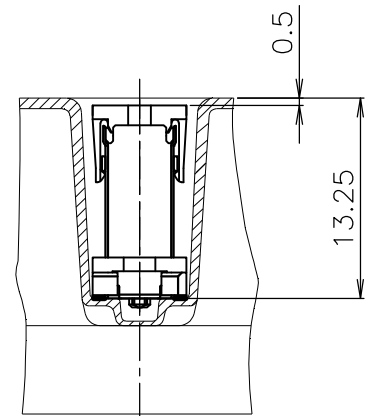


C-C (SCALE 2:1)

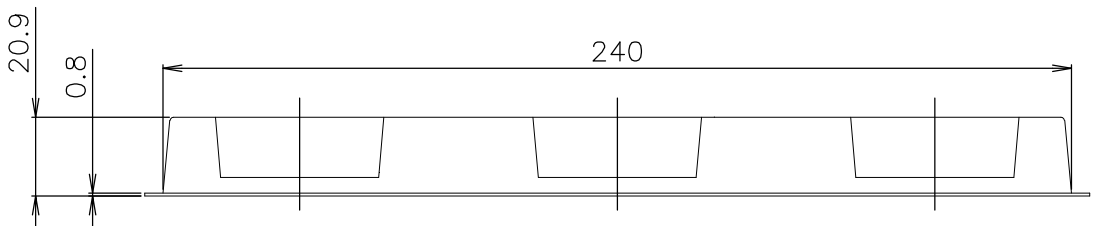
AS SHOWN:TYPE-1



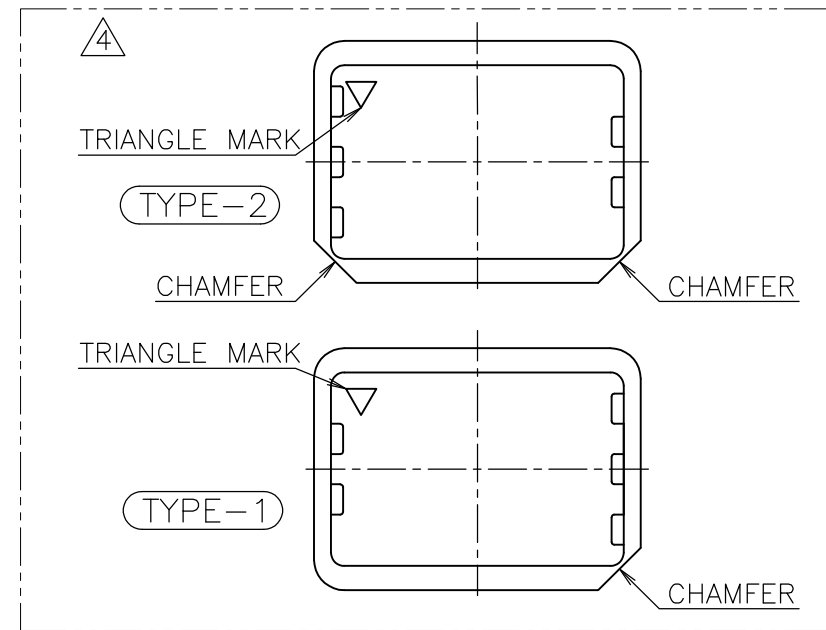
DETAIL E (SCALE 4:1)



D-D (SCALE 2:1)



⚠ TRAY TYPE-1 AND TYPE-2 MUST BE  
 PILED UP BY TURNS.  
 (REFER TO PACKING SPECIFICATIONS)



|      |          |             |                |     |     |    |      |      |          |   |
|------|----------|-------------|----------------|-----|-----|----|------|------|----------|---|
| (A1) | OBSOLETE | NON SEALANT | AVAILABLE      | 3   | 30  | 70 | 48.7 | 140  | 2069478  | 1 |
|      |          | SEALANT     | TOOLING STATUS | LOW | QTY | B  | A    | POS. | PART NO. |   |

THIS DRAWING IS A CONTROLLED DOCUMENT.

|                      |   |                            |                            |
|----------------------|---|----------------------------|----------------------------|
| DIMENSIONS: ??? ? mm | TOLERANCES UNLESS OTHERWISE SPECIFIED: ???? | DWN Y.OKOSHI 21OCT2008     | <b>STE</b> TE Connectivity |
|                      | 0 PLC ± -                                   | CHK S.KAJINUMA 21OCT2008   |                            |
|                      | 1 PLC ± -                                   | APVD T.FUTATSUGI 21OCT2008 |                            |
| MATERIAL ??          | 2 PLC ± -                                   | NAME ??                    |                            |
|                      | 3 PLC ± -                                   | PRODUCT SPEC 108-60047     | SOFT TRAY ASSY             |
|                      | 4 PLC ± -                                   | APPLICATION SPEC 114-5255  | FH 0.6BTB CONNECTOR        |
|                      | ANGLES ± -                                  | WEIGHT                     | PLUG 12H W/G-PLATE AND CAP |
|                      | FINISH ??                                   | SIZE A3                    | RESTRICTED TO              |
|                      |   | CAGE CODE 00779            | DRAWING NO C-2069478       |
|                      |   | CUSTOMER DRAWING           | SCALE ?? 1:2               |
|                      |   |                            | SHEET 1 OF 3               |
|                      |   |                            | REV A1                     |

GENERAL TOLERANCE  
 一般公差  
 10 ≥ ±0.2  
 30 ≥ >10: ±0.25  
 100 ≥ >30: ±0.3  
 ANGLES: ±3°

4

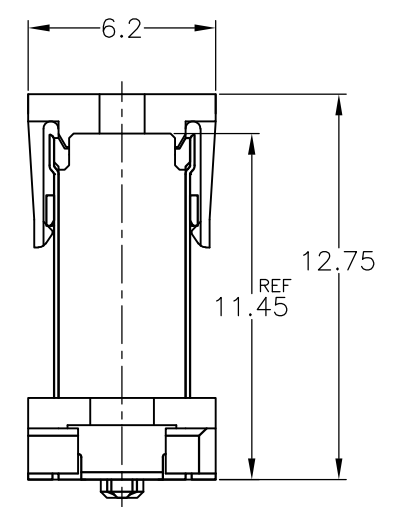
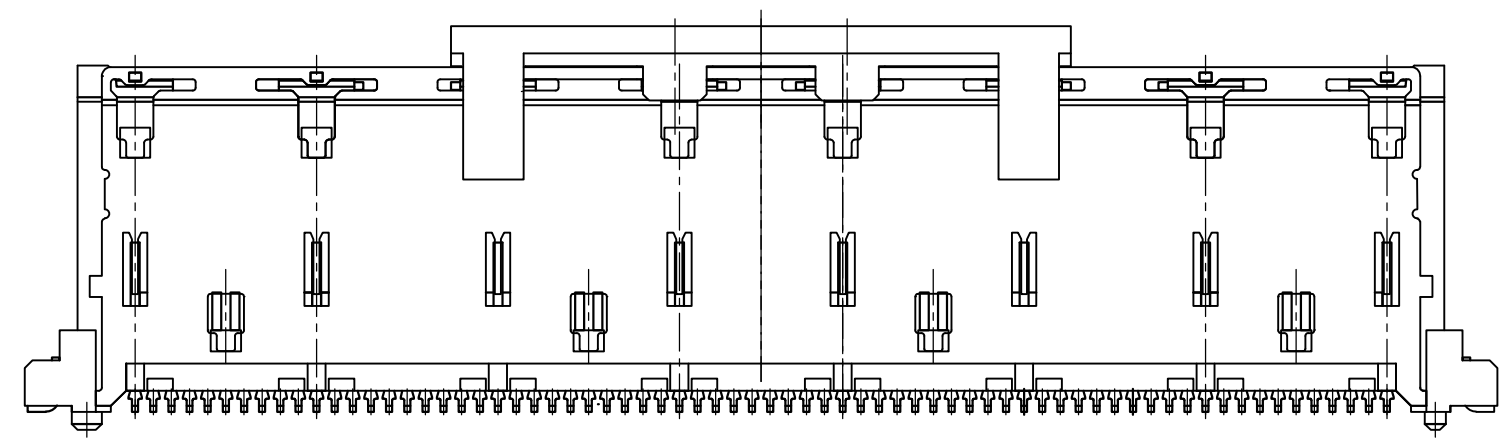
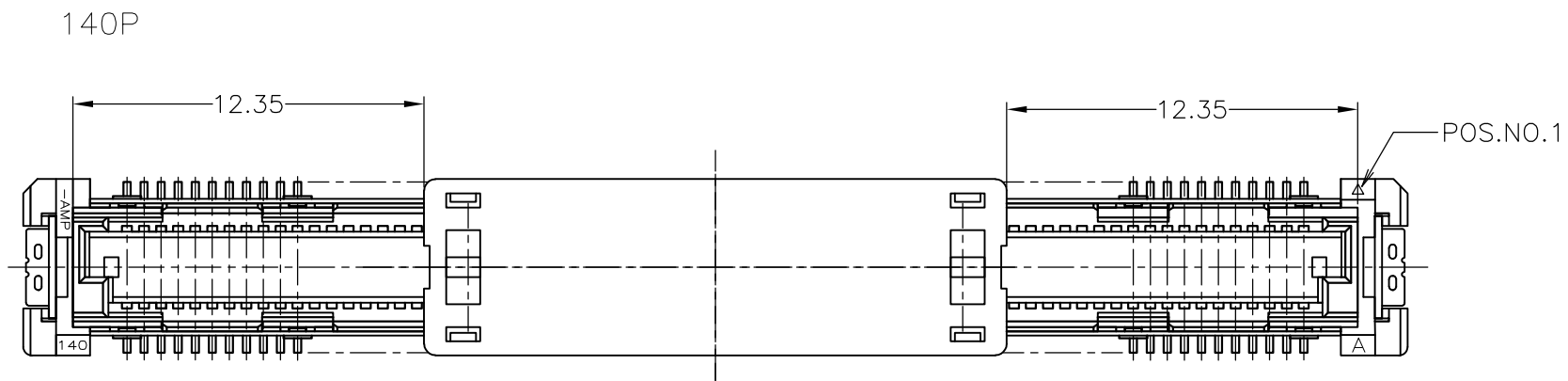
3

2

1

THIS DRAWING IS UNPUBLISHED. RELEASED FOR PUBLICATION OCT , 2008.  
 © COPYRIGHT 2008 By - ALL RIGHTS RESERVED.

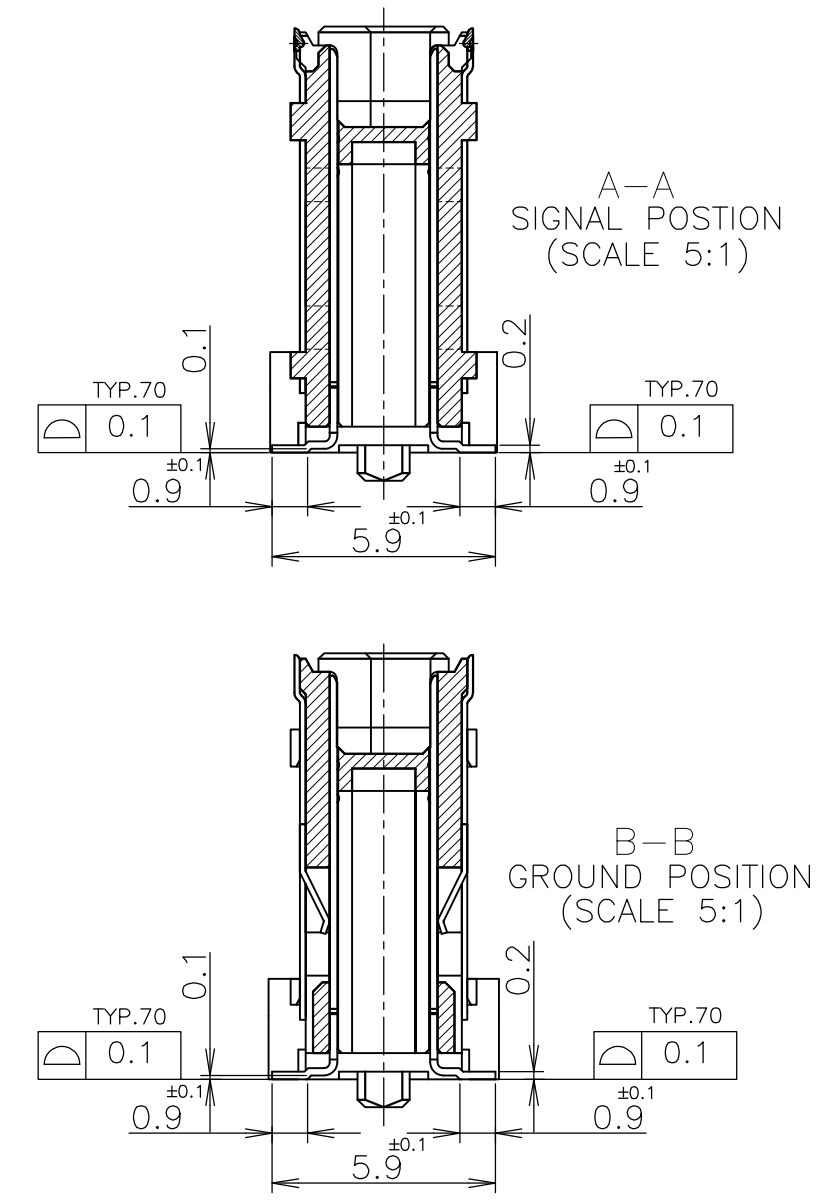
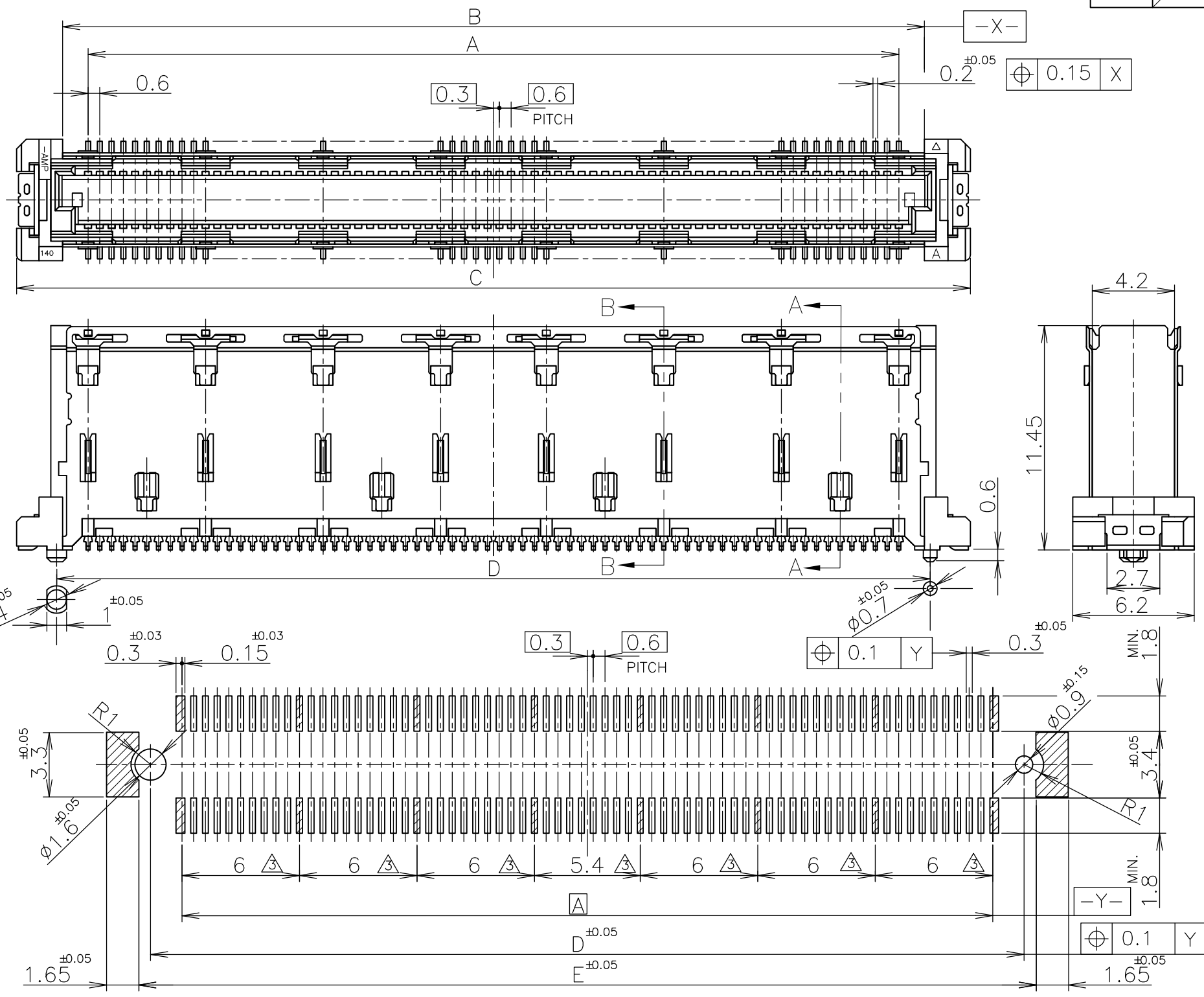
| LOC | DIST | REVISIONS |     |             |      |     |      |
|-----|------|-----------|-----|-------------|------|-----|------|
| J   |      | P         | LTR | DESCRIPTION | DATE | DWN | APVD |
|     |      | -         |     | SEE SHEET 1 | -    | -   | -    |



|   |  |                  |                            |           |            |               |
|---|--|------------------|----------------------------|-----------|------------|---------------|
| THIS DRAWING IS A CONTROLLED DOCUMENT.      |  | DWN              | <b>STE</b> TE Connectivity |           |            |               |
| DIMENSIONS: ??? ? mm                        |  | CHK              |                            |           |            |               |
| TOLERANCES UNLESS OTHERWISE SPECIFIED: ???? |  | APVD             | NAME ??                    |           |            |               |
| 0 PLC ± -                                   |  | PRODUCT SPEC     | SOFT TRAY ASSY             |           |            |               |
| 1 PLC ± -                                   |  | APPLICATION SPEC | FH 0.6BTB CONNECTOR        |           |            |               |
| 2 PLC ± -                                   |  | WEIGHT           | PLUG 12H W/G-PLATE AND CAP |           |            |               |
| 3 PLC ± -                                   |  | CUSTOMER DRAWING | SIZE                       | CAGE CODE | DRAWING NO | RESTRICTED TO |
| 4 PLC ± -                                   |  |                  | A3                         | 00779     | C-2069478  |               |
| ANGLES ± -                                  |  |                  | SCALE                      | SHEET     | REV        |               |
| FINISH ??                                   |  |                  | ?? 1:2                     | 2 OF 3    | A1         |               |

THIS DRAWING IS UNPUBLISHED. RELEASED FOR PUBLICATION OCT. 2008.  
 © COPYRIGHT 2008 By - ALL RIGHTS RESERVED.

| LOC | DIST | REVISIONS |     |             |      |     |      |
|-----|------|-----------|-----|-------------|------|-----|------|
| J   |      | P         | LTR | DESCRIPTION | DATE | DWN | APVD |
|     |      | -         |     | SEE SHEET 1 | -    | -   | -    |



REFERENCE P.C. BOARD LAYOUT

|      |      |      |    |      |     |           |
|------|------|------|----|------|-----|-----------|
| 45.8 | 44.6 | 48.7 | 44 | 41.4 | 140 | 2069478-1 |
| E    | D    | C    | B  | A    | POS | PART NO.  |

- 1 MATERIAL ; HOUSING : HIGH TEMP THERMO PLASTIC  
UL94V-0  
CONTACT : COPPER ALLOY
- 2 FINISH ; UNDER PL Ni 0.0013mm MIN ALL OVER.  
CONTACT AREA 0.00076 MIN Au PL.  
SOLDERING AREA 0.001 MIN TIN PL.
- 3 THIS POSITION IS GROUND CIRCUIT.

GENERAL TOLERANCE  
一般公差

|             |            |
|-------------|------------|
| 10 ≥        | ±0.2       |
| 30 ≥        | >10: ±0.25 |
| 100 ≥       | >30: ±0.3  |
| ANGLES: ±3° |            |

THIS DRAWING IS A CONTROLLED DOCUMENT.

|                            |   |
|----------------------------|---|
| DIMENSIONS:<br>??? ?<br>mm | TOLERANCES UNLESS<br>OTHERWISE SPECIFIED:<br>???? |
| 0 PLC ± -                  |   |
| 1 PLC ± -                  |   |
| 2 PLC ± -                  |   |
| 3 PLC ± -                  |   |
| 4 PLC ± -                  |   |
| ANGLES ± -                 |   |
| FINISH ??                  |   |

MATERIAL ??

STE TE Connectivity

NAME ??

SOFT TRAY ASSY  
FH 0.6BTB CONNECTOR  
PLUG 12H W/G-PLATE

|      |           |            |               |
|------|-----------|------------|---------------|
| SIZE | CAGE CODE | DRAWING NO | RESTRICTED TO |
| A3   | 00779     | C-2069478  |               |

CUSTOMER DRAWING

SCALE ?? 4:1 SHEET 3 OF 3 REV A1