

THIS DRAWING IS UNPUBLISHED.

RELEASED FOR PUBLICATION

20

© COPYRIGHT 20 BY -

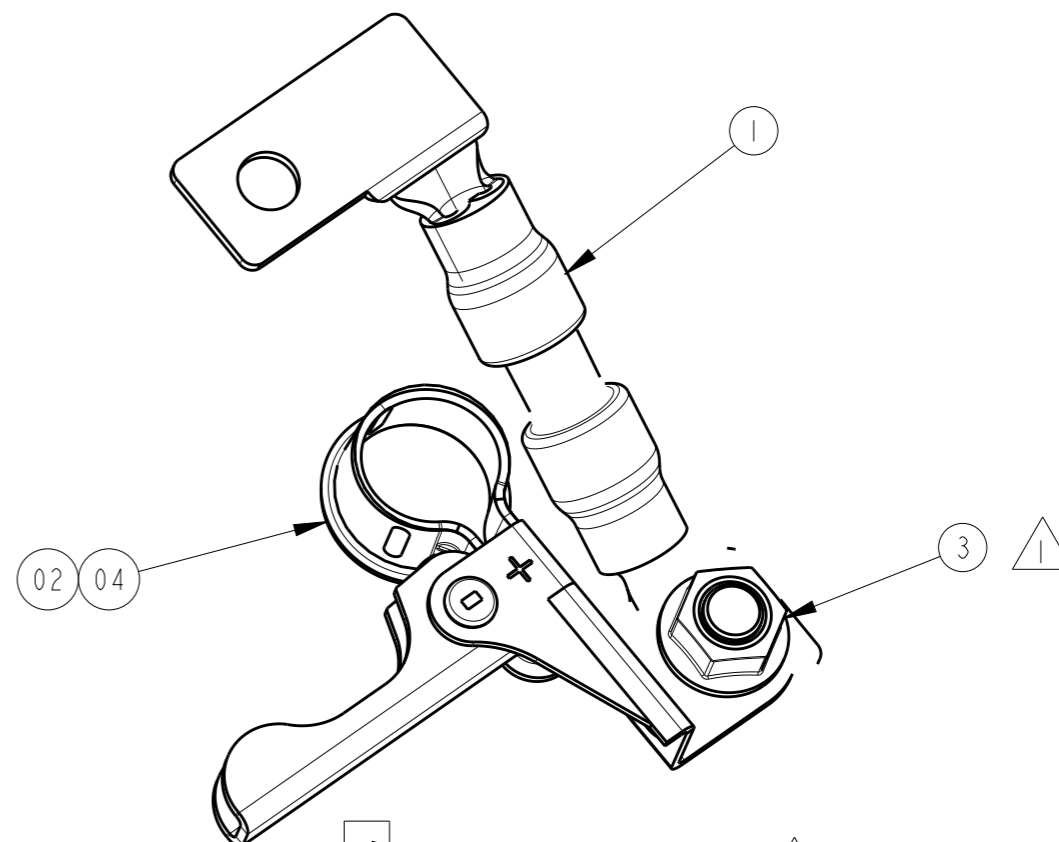
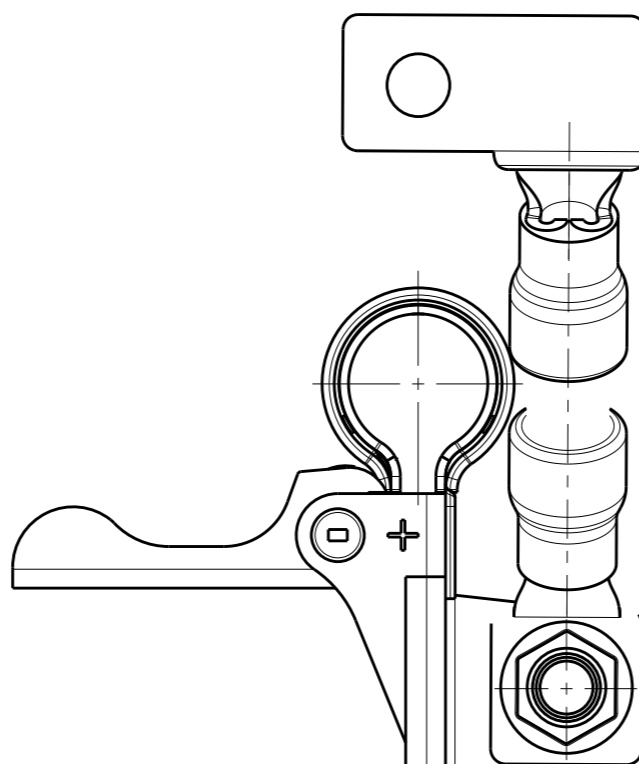
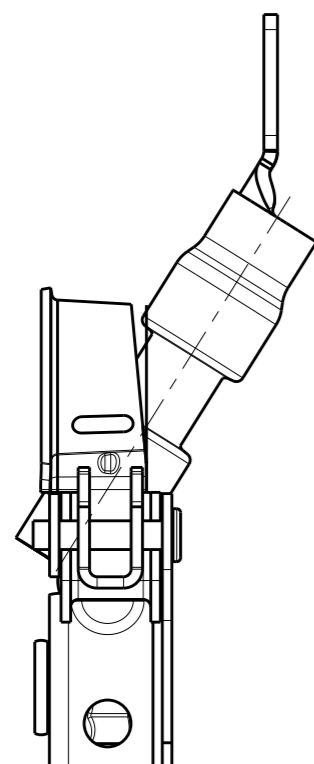
ALL RIGHTS RESERVED.

LOC AP DIST -

REVISIONS

| P | LTR | DESCRIPTION | DATE | DWN | APVD |
|---|-----|-------------------------------|-----------|-----|------|
| | A | CHANGE STATUS ECO-13-008306 | 21MAY2013 | NCL | NMS |
| | A1 | REVISED DRAWING ECO-14-015974 | 24OCT2014 | NCL | NMS |
| | A2 | OBSOLETE DASH 1 ECO-16-005882 | 19APR2016 | NCL | NMS |

creo
Creo Parametric 2.0
**DO NOT REVISE
EXCEPT BY CAD**



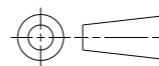
△ - TORQUE 5 a 6 Nm

OBSOLETE

| REQ. PER ASSY | ITEM | DESCRIPTION | NOTES |
|---------------|------|--------------------------------|-------|
| | 4 | BATTERY TERMINAL ASSY POSITIVE | — |
| | 3 | M8 HEXAGON NUT WITH FLANGE | — |
| | 2 | BATTERY TERMINAL ASSY POSITIVE | — |
| | 1 | LEAD ASSY, 35 mm ² | — |
| | -2 | | |
| 2133426 | | | |

THIS DRAWING IS A CONTROLLED DOCUMENT.

DIMENSIONS:
mm



TOLERANCES UNLESS OTHERWISE SPECIFIED:

- 0 PLC ±
- 1 PLC ±
- 2 PLC ±
- 3 PLC ±
- 4 PLC ±
- ANGLES ±

MATERIAL -

FINISH -

DWN F. CHAPELA 15JUN2011

CHK J. R. GOLDSCHMIDT 15JUN2011

APVD N. M. SANTOS 15JUN2011

PRODUCT SPEC -

APPLICATION SPEC -

WEIGHT -

CUSTOMER DRAWING



TE Connectivity

BATTERY TERMINAL WITH LEAD,
35mm²

SIZE A3 CAGE CODE 00779 DRAWING NO. C-2133426 RESTRICTED TO -

SCALE 1:1 SHEET 1 OF 1 REV A2