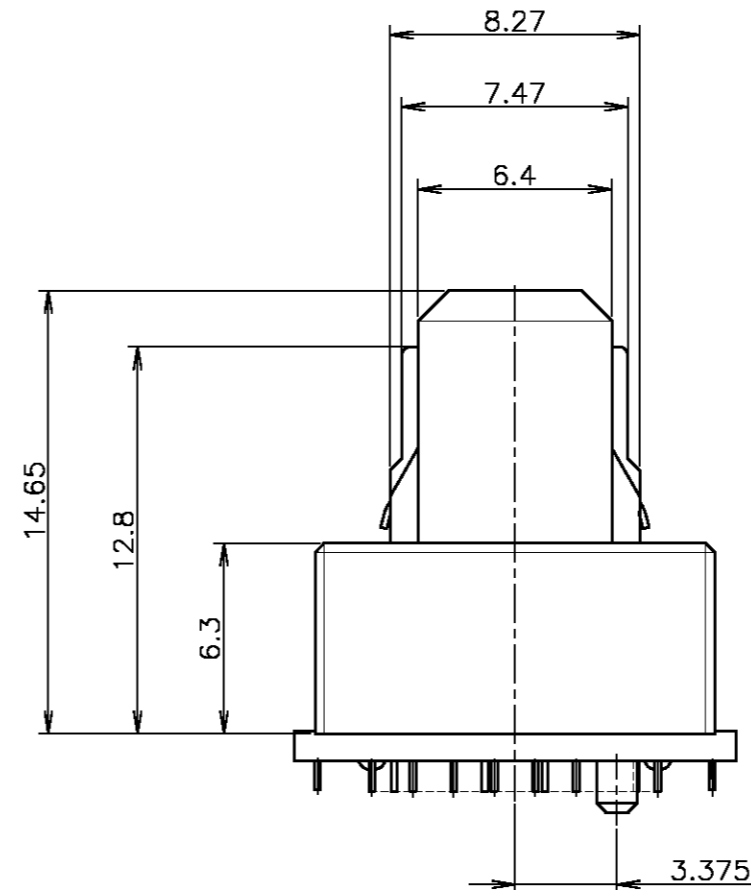
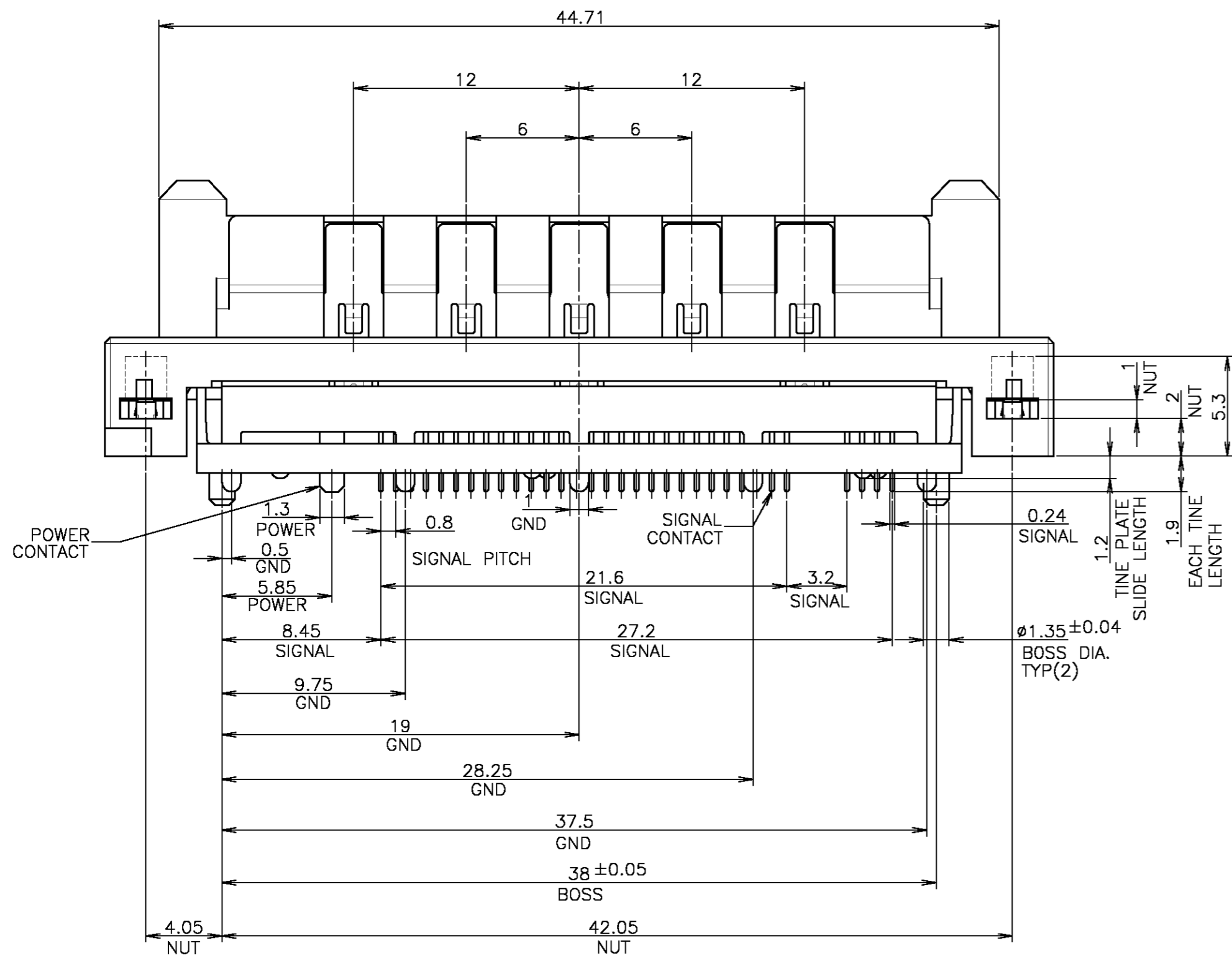
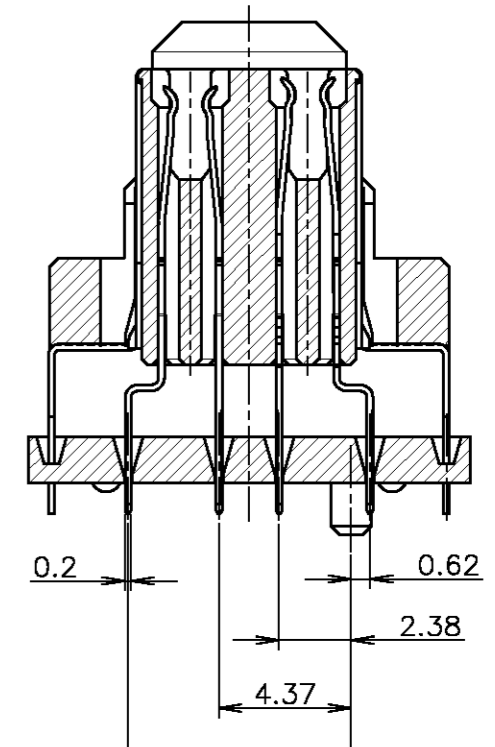
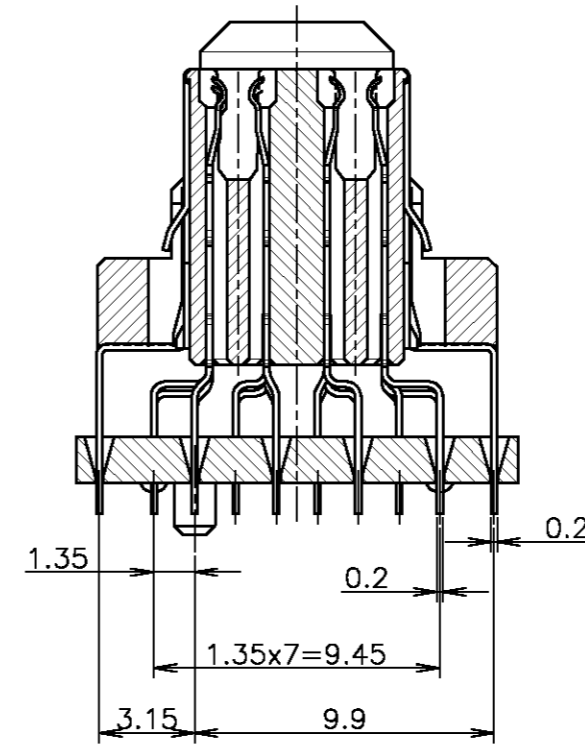
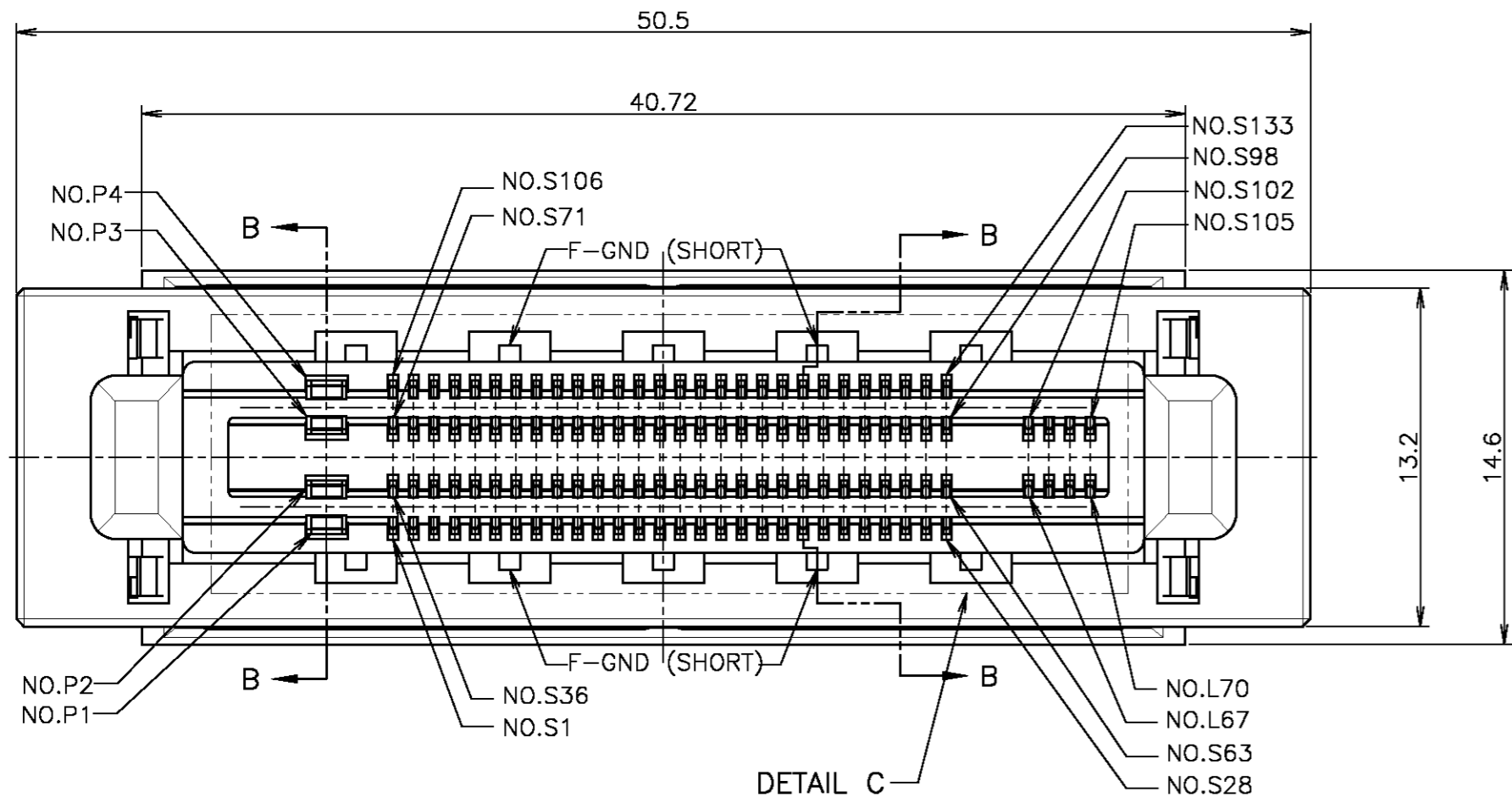


THIS DRAWING IS UNPUBLISHED. RELEASED FOR PUBLICATION OCT., 2005.
 © COPYRIGHT 2005 BY TYCO ELECTRONICS CORPORATION. ALL RIGHTS RESERVED.

LOC		DIST		REVISIONS			DATE	DWN	APVD
P	LTR	DESCRIPTION							
J		A1	REVISED	ECR-08-027796	04NOV08	N.H	T.F		



-1; AS SHOWN

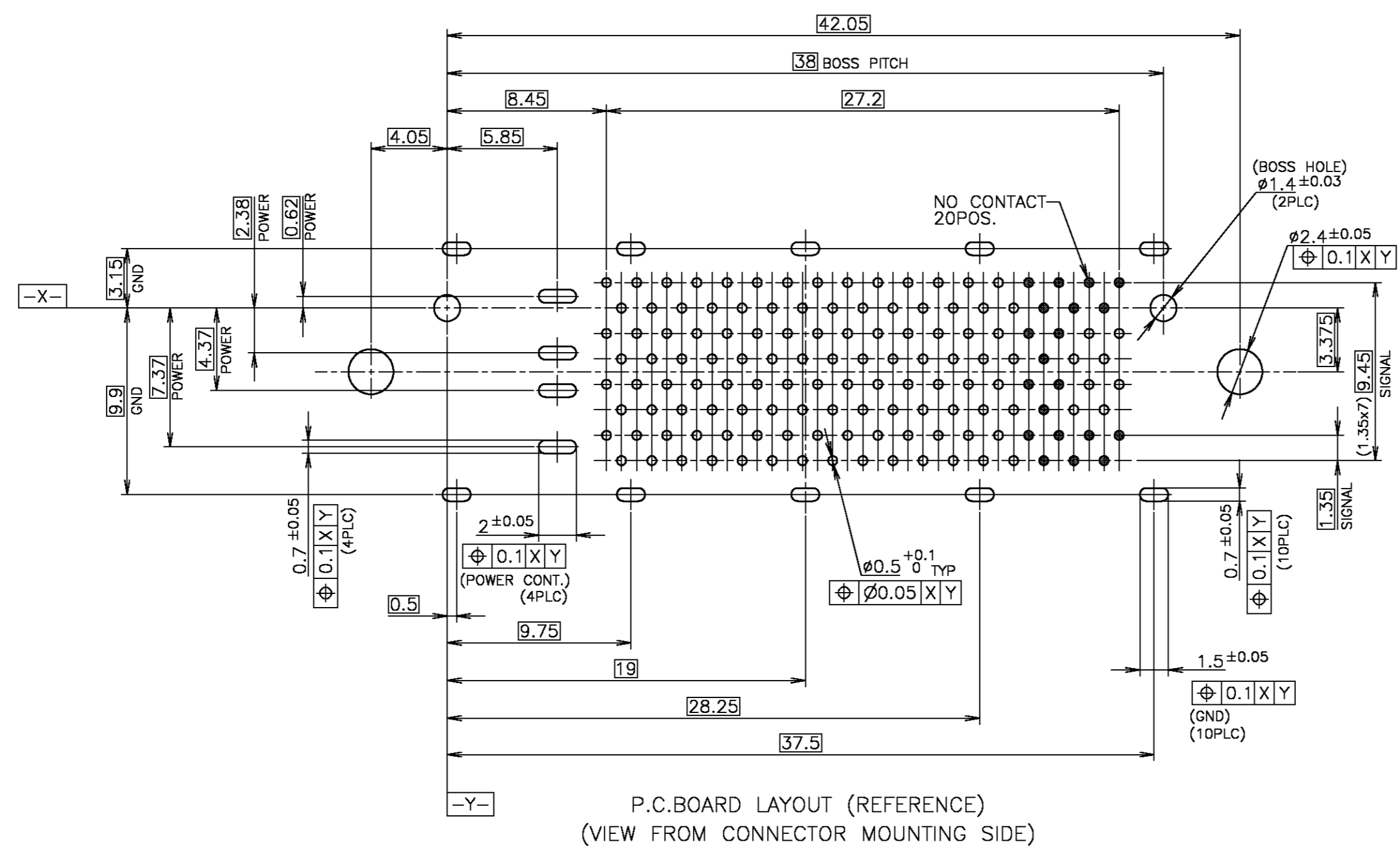
THE NUMBER OF PINS
 SIGNAL 112P
 POWER 4P
 LAN 8P
 VOID 20P

GENERAL TOLERANCE
 一般公差
 10 ≥ ±0.2
 30 ≥ > 10: ±0.25
 100 ≥ > 30: ±0.3
 ANGLES: ±3°

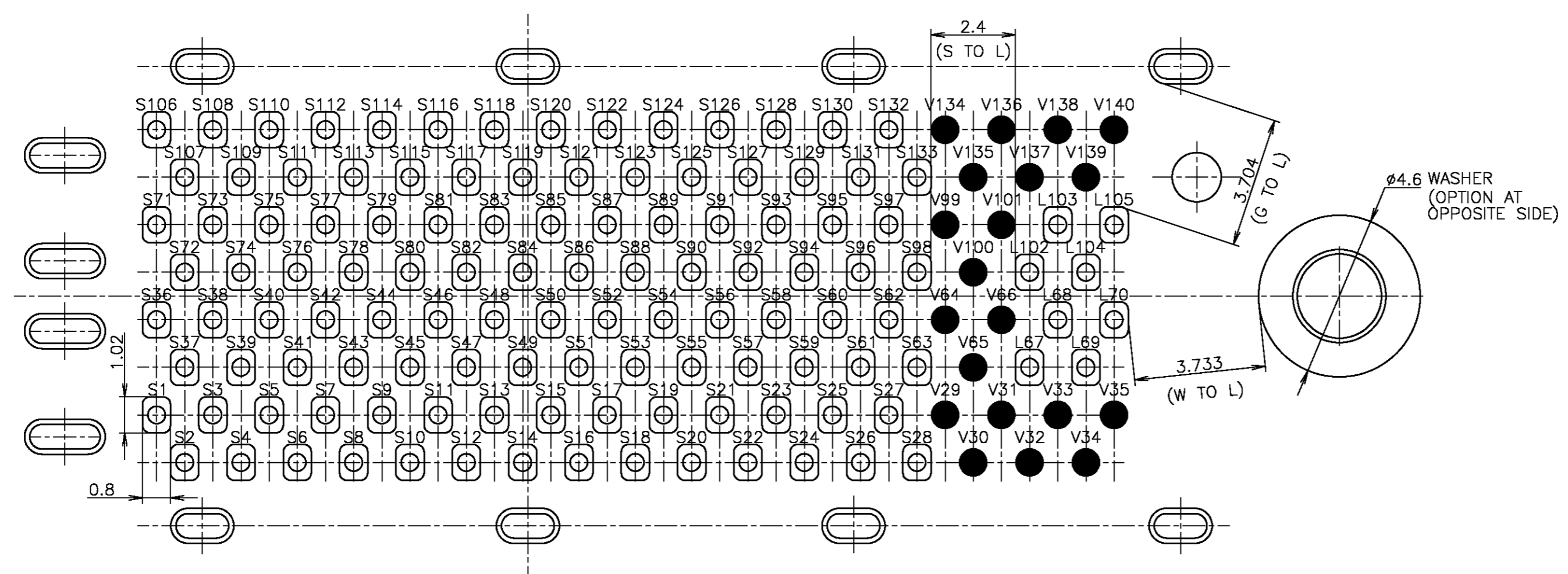
THIS DRAWING IS A CONTROLLED DOCUMENT.		DWN M.UMEHARA 24OCT2005	Tyco Electronics Corporation Kawasaki, Japan
DIMENSIONS: 单位: 毫米 mm		CHK A.KUBO 24OCT2005	
TOLERANCES UNLESS OTHERWISE SPECIFIED: 一般公差		APVD Y.YAMAMOTO 24OCT2005	NAME 名称
0 PLC ± 1 PLC ± 2 PLC ± 3 PLC ± 4 PLC ± ANGLES ±		PRODUCT SPEC 108-78334	0.8 DOCKING CONNECTOR REC ASSY, 140P + POWER 4P
MATERIAL 材料		FINISH 仕上	SIZE A2
		WEIGHT	CAGE CODE 00779
		CUSTOMER DRAWING	DRAWING NO. 1903385
		SCALE 4:1	SHEET 1 OF 5
			REV A1

THIS DRAWING IS UNPUBLISHED. RELEASED FOR PUBLICATION OCT., 2005.
 © COPYRIGHT 2005 BY TYCO ELECTRONICS CORPORATION. ALL RIGHTS RESERVED.

LOC	DIST	REVISONS		
J		変更	DATE	DWN
		DESCRIPTION		APVD
		SEE SHEET 1		



P.C. BOARD LAYOUT (REFERENCE)
 (VIEW FROM CONNECTOR MOUNTING SIDE)



(SCALE 8:1)

- △ 材質
 ハウジング：熱可塑性樹脂 UL94V-0，黒
 タイムプレート：熱可塑性樹脂 UL94V-0，黒
 シグナルコンタクト：銅合金
 パワーコンタクト：銅合金
 グランドプレート：銅合金
 ナット：ステンレス鋼
 トレー：PS t=0.8，白
- △ 仕上
 シグナルコンタクト&パワーコンタクト：
 ニッケル下地接点部金めっき、はんだ付け部すずめっき
 グランドプレート：すずめっき(リフロー)
- 3 適用基板厚：1.45±0.1mm
- 4 かん合相手型番：1903848-1
 : 2040472-1, 2040928-1
- △ 推奨ねじ締め付けトルク：
 0.15N・m(1.5kgf・cm)から0.2N・m(2kgf・cm)
- 6 梱包：32EA/トレイ
- △ MATERIAL
 HOUSING: THERMOPLASTIC, UL94V-0, BLACK
 TIME PLATE: THERMOPLASTIC, UL94V-0, BLACK
 SIGNAL CONTACT: COPPER ALLOY
 POWER CONTACT: COPPER ALLOY
 GROUND PLATE: COPPER ALLOY
 NUT: STAINLESS STEEL
 TRAY: PS t=0.8, WHITE
- △ FINISH
 SIGNAL CONTACT & POWER CONTACT:
 Au PL. ON CONTACT AREA
 Sn PL. ON SOLDER AREA
 Ni UNDER PL. ALL OVER
 GROUND PLATE:
 Sn PL. (REFLOW)
- 3 APPLICABLE THICKNESS OF P.C.BOARD: 1.45±0.1mm
- 4 CONNECTOR TO BE MATED: 1903848-1
 : 2040472-1, 2040928-1
- △ RECOMMENDED TIGHTENING TORQUE:
 FROM 0.15N.m (1.5kgf.cm) TO 0.2N.m (2kgf.cm)
- 6 PACKAGING: 32EA/TRAY

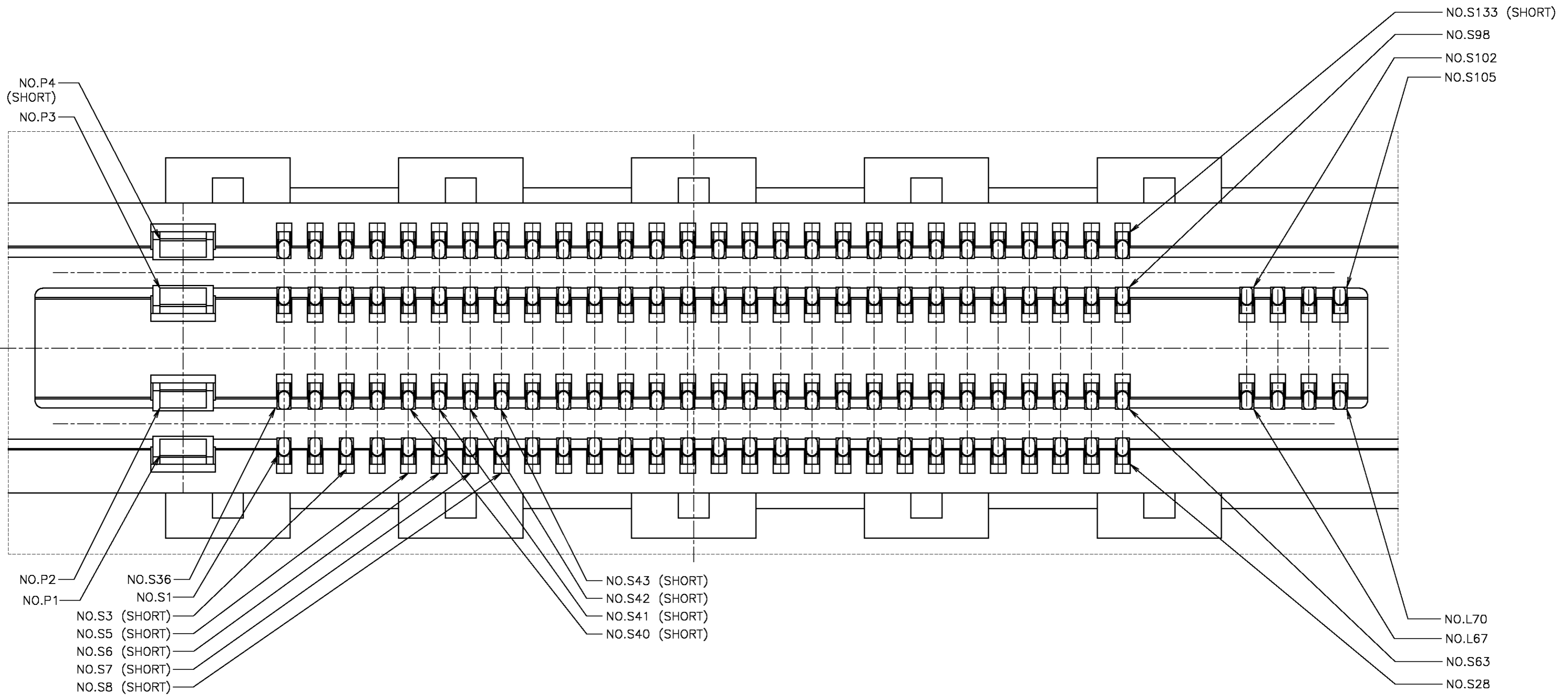
S27
 CIRCUIT NO.
 S: SIGNAL
 P: POWER
 V: VOID
 L: LAN

GENERAL TOLERANCE
 一般公差
 10 ≥ : ±0.2
 30 > 10: ±0.25
 100 > 30: ±0.3
 ANGLES: ±3°

THIS DRAWING IS A CONTROLLED DOCUMENT.		DWN	Tyco Electronics Corporation Kawasaki, Japan	
DIMENSIONS: 単位：mm		CHK	NAME 名称	
TOLERANCES UNLESS OTHERWISE SPECIFIED: 一般公差		APVD	0.8 DOCKING CONNECTOR REC ASSY, 140P + POWER 4P	
0 PLC ± 1 PLC ± 2 PLC ± 3 PLC ± 4 PLC ± ANGLES ±		PRODUCT SPEC 製品規格	SIZE	RESTRICTED TO
MATERIAL 材料		APPLICATION SPEC 取付適用規格	CAGE CODE 00779	DRAWING NO. 1903385
FINISH 仕上		WEIGHT	SCALE 尺度 4:1	
		CUSTOMER DRAWING	SHEET 2 of 5	REV A1

THIS DRAWING IS UNPUBLISHED. RELEASED FOR PUBLICATION OCT., 2005.
 © COPYRIGHT 2005 BY TYCO ELECTRONICS CORPORATION. ALL RIGHTS RESERVED.

LOC		DIST		REVISIONS			
P	LTR	DESCRIPTION	DATE	DWN	APVD		
J		SEE SHEET 1					



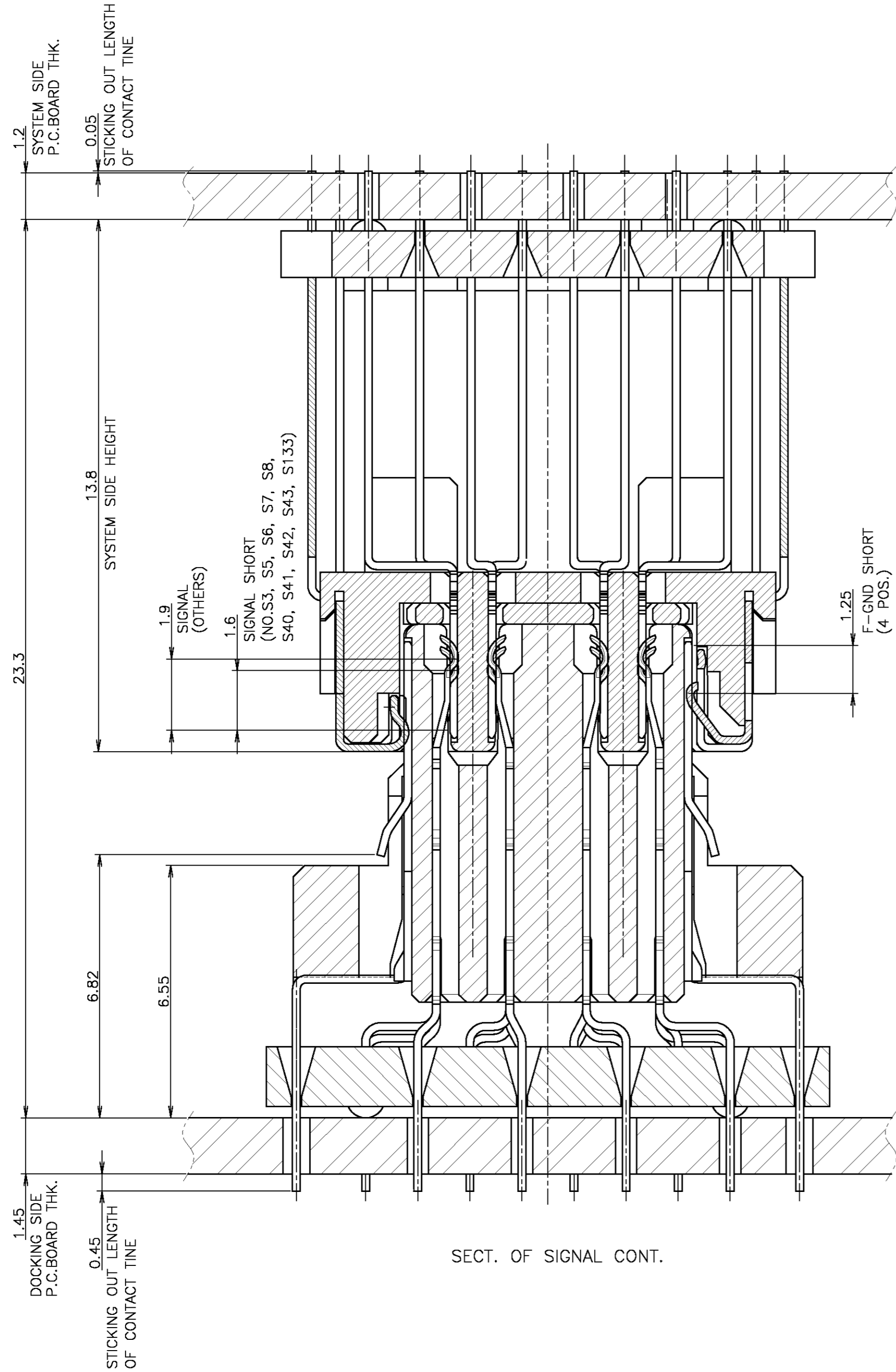
DETAIL C

1903385

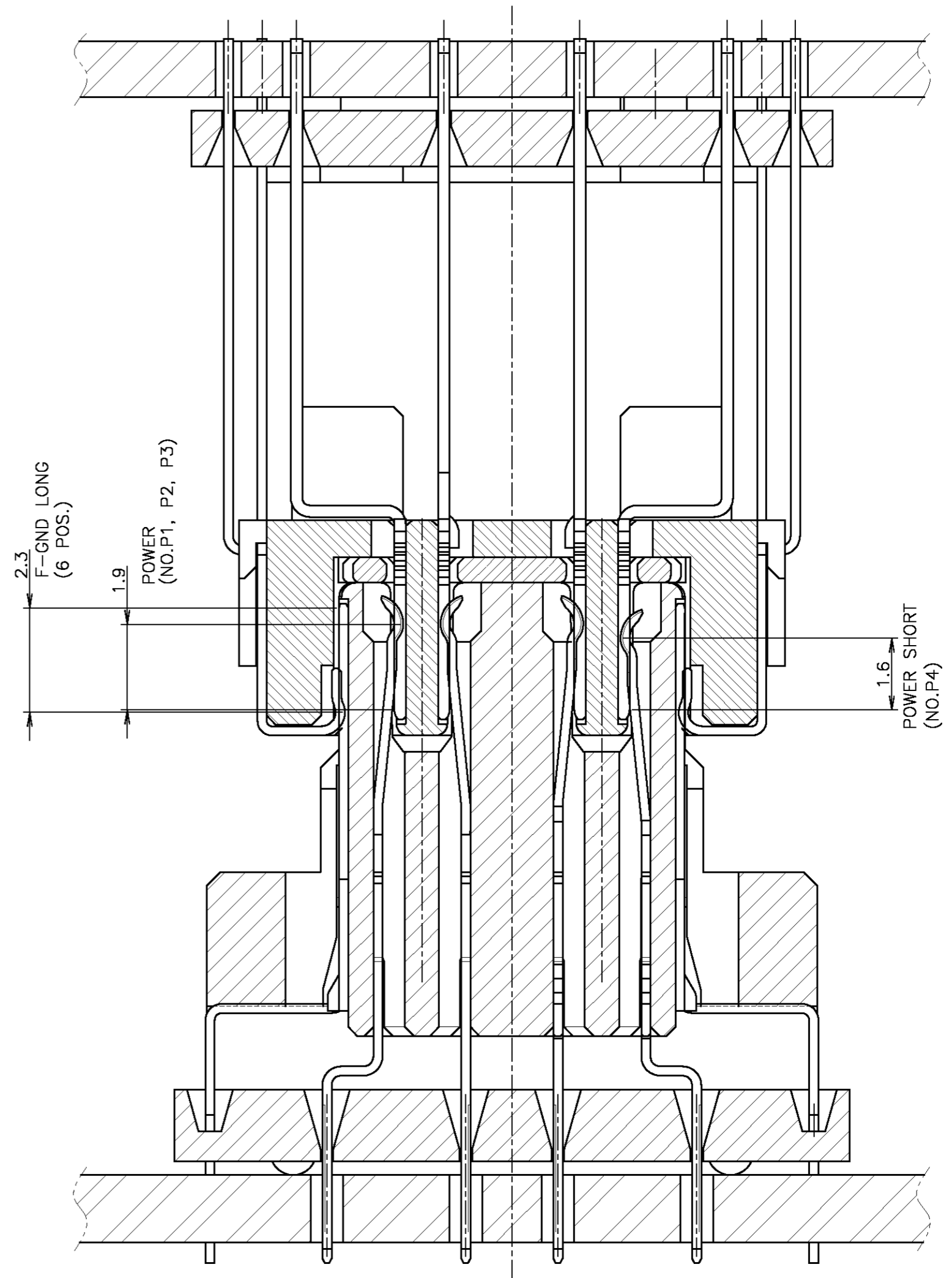
THIS DRAWING IS A CONTROLLED DOCUMENT.		DWN	Tyco Electronics Corporation Kawasaki, Japan	
DIMENSIONS: 単位: 寸 mm		CHK	NAME 名称	
TOLERANCES, UNLESS OTHERWISE SPECIFIED: 一般公差		APVD	0.8 DOCKING CONNECTOR REC ASSY, 140P + POWER 4P	
0 PLC ± 1 PLC ± 2 PLC ± 3 PLC ± 4 PLC ± ANGLES ±		PRODUCT SPEC 製品規格	SIZE A2	CAGE CODE 00779
MATERIAL 材料		APPLICATION SPEC 取付適用規格	DRAWING NO. 番号 C=1903385	
FINISH 仕上		WEIGHT	RESTRICTED TO	
		CUSTOMER DRAWING	SCALE 尺度 12:1	SHEET 3 of 5

THIS DRAWING IS UNPUBLISHED. RELEASED FOR PUBLICATION OCT., 2005.
 © COPYRIGHT 2005 BY TYCO ELECTRONICS CORPORATION. ALL RIGHTS RESERVED.

LOC		DIST		REVISIONS			DATE	DWN	APVD
J				P	LTR	DESCRIPTION			
				-	-	SEE SHEET 1			



SECT. OF SIGNAL CONT.



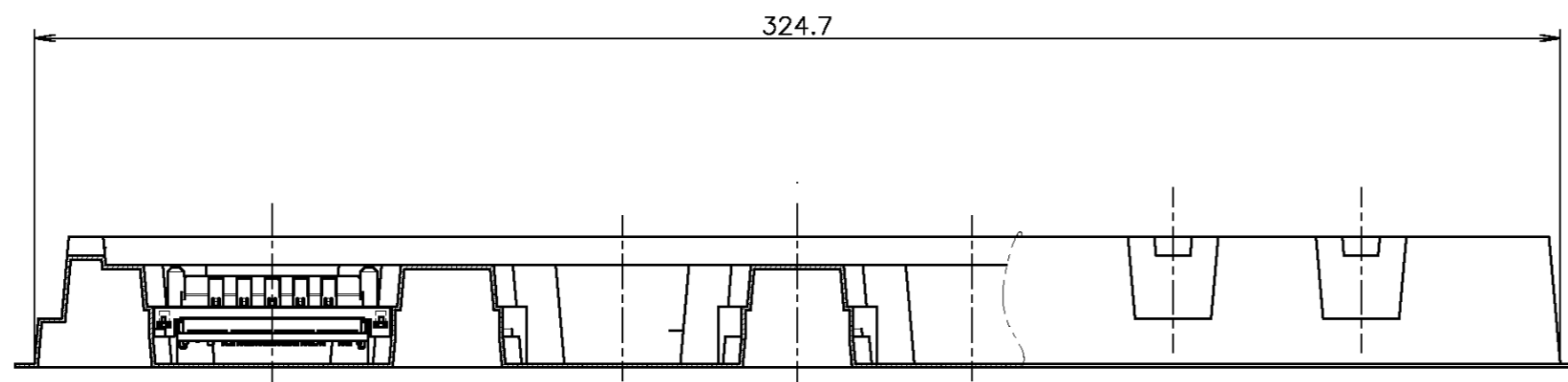
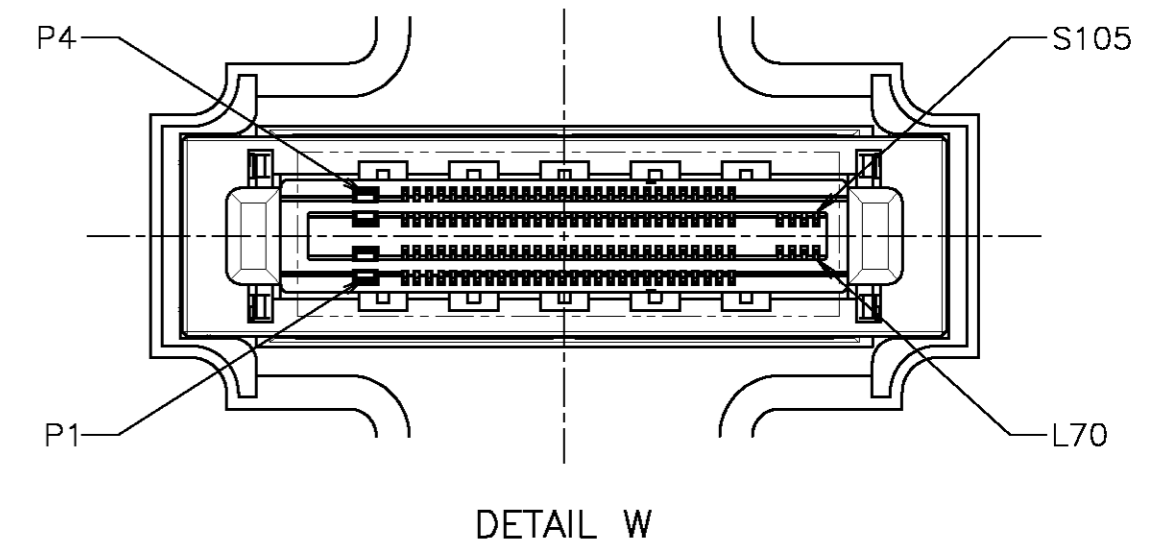
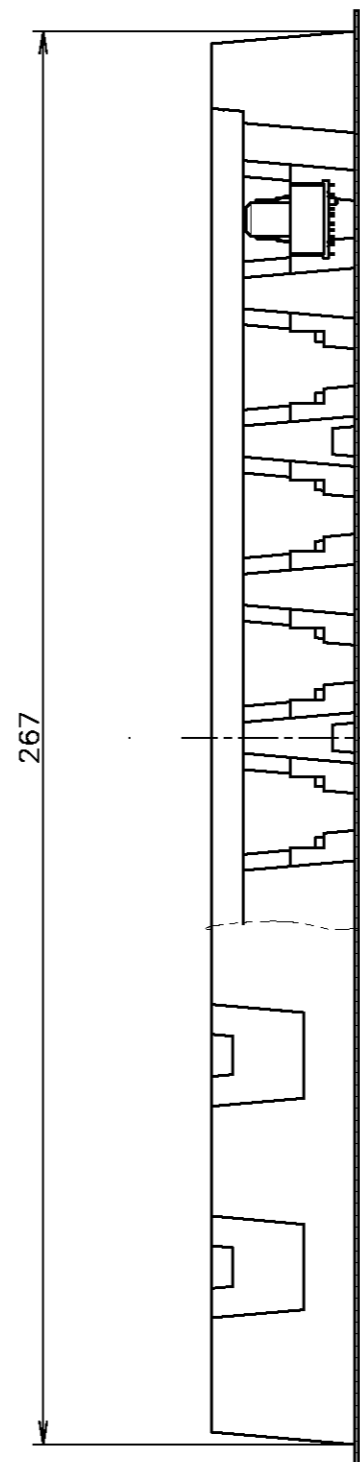
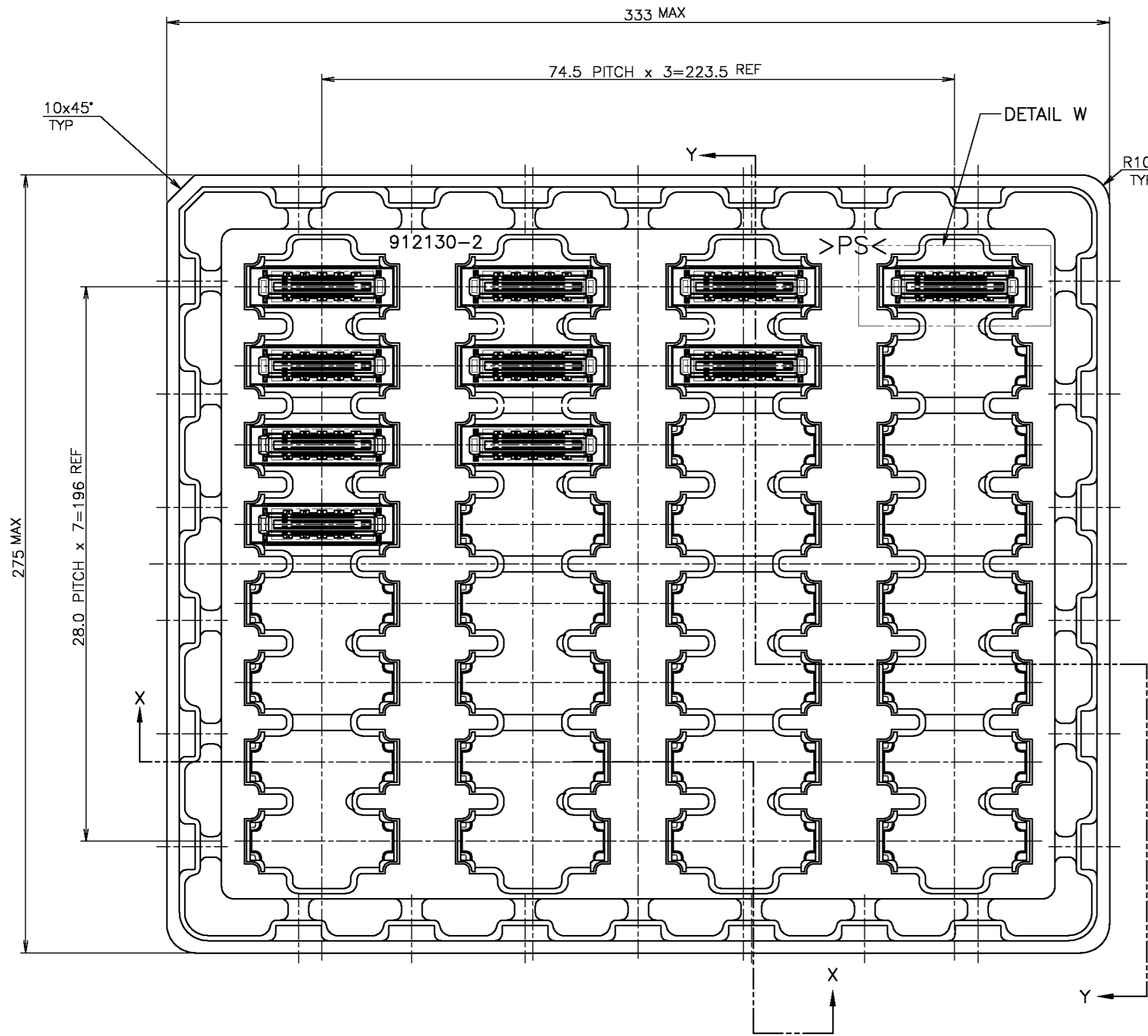
SECT. OF POWER CONT.

DIMENSIONS ARE REFERENCE ONLY.

THIS DRAWING IS A CONTROLLED DOCUMENT.		DWN	Tyco Electronics Corporation Kawasaki, Japan	
DIMENSIONS: 单位: 毫米 mm		CHK	NAME 名称	
TOLERANCES UNLESS OTHERWISE SPECIFIED: 一般公差		APVD	0.8 DOCKING CONNECTOR REC ASSY, 140P + POWER 4P	
0 PLC ±		PRODUCT SPEC	製品規格	
1 PLC ±		APPLICATION SPEC	取付適用規格	
2 PLC ±		WEIGHT	SIZE	CAGE CODE
3 PLC ±		FINISH 仕上	A2	00779
4 PLC ±		SCALE 尺度	DRAWING NO 番号	RESTRICTED TO
		CUSTOMER DRAWING	C=1903385	
			SCALE 尺度 NTS	SHEET 4 of 5
				REV A1

THIS DRAWING IS UNPUBLISHED. RELEASED FOR PUBLICATION OCT., 2005.
 © COPYRIGHT 2005 BY TYCO ELECTRONICS CORPORATION. ALL RIGHTS RESERVED.

LOC		DIST		REVISIONS			
P	LTR	DESCRIPTION	DATE	DWN	APVD		
		SEE SHEET 1					



THIS DRAWING IS A CONTROLLED DOCUMENT.		DWN	Tyco Electronics Corporation Kawasaki, Japan													
DIMENSIONS: 単位: 寸 mm		CHK	NAME 名称													
TOLERANCES UNLESS OTHERWISE SPECIFIED: 一般公差		APVD	0.8 DOCKING CONNECTOR REC ASSY, 140P + POWER 4P													
<table border="1"> <tr><td>Ø PLC</td><td>±</td></tr> <tr><td>1 PLC</td><td>±</td></tr> <tr><td>2 PLC</td><td>±1.0mm</td></tr> <tr><td>3 PLC</td><td>±</td></tr> <tr><td>4 PLC</td><td>±</td></tr> <tr><td>ANGLES</td><td>±</td></tr> </table>		Ø PLC	±	1 PLC	±	2 PLC	±1.0mm	3 PLC	±	4 PLC	±	ANGLES	±	PRODUCT SPEC 製品規格	SIZE	CAGE CODE
Ø PLC	±															
1 PLC	±															
2 PLC	±1.0mm															
3 PLC	±															
4 PLC	±															
ANGLES	±															
MATERIAL 材料		APPLICATION SPEC 取付適用規格	A2	00779												
FINISH 仕上		WEIGHT	DRAWING NO 番号													
		CUSTOMER DRAWING	C=1903385													
		SCALE 尺度	NTS	SHEET 5 of 5												
			REV A1	RESTRICTED TO												