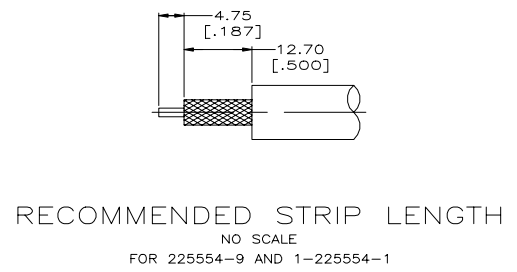
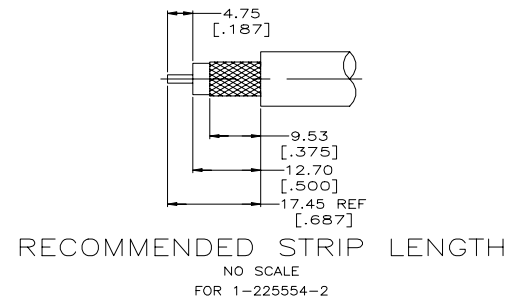
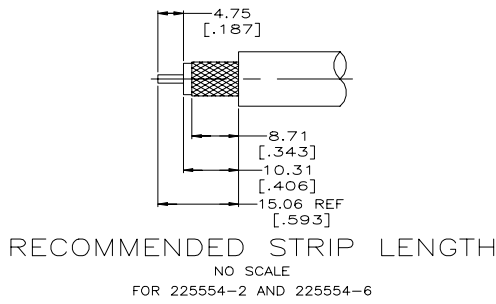
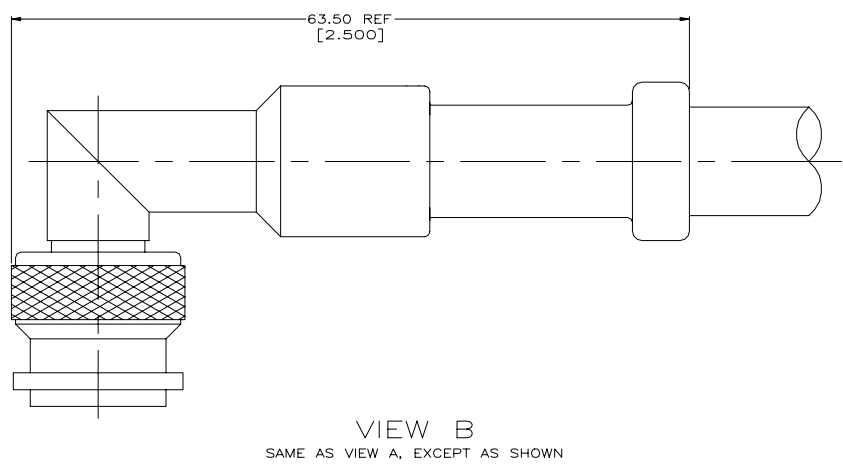
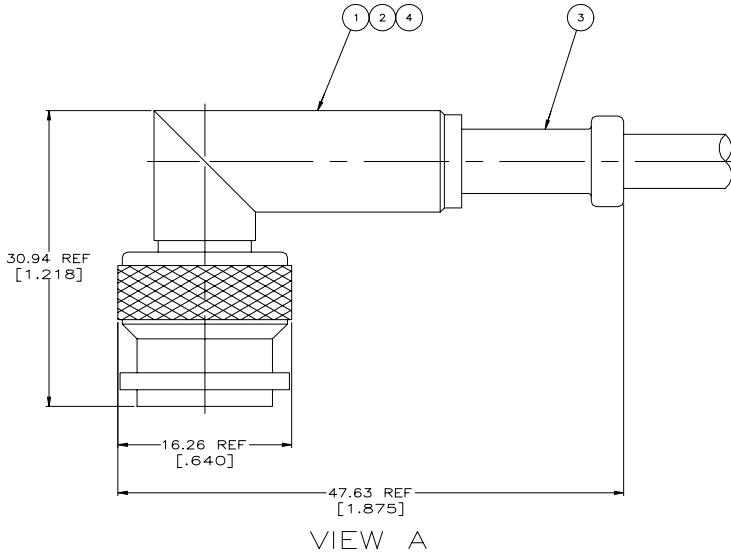


REVISIONS				
P	LR	DESCRIPTION	DATE	BY
N2		REVISED PER ECR-21-103273	13MAY2021	RZ

1. USE INSTRUCTION SHEET 2299-5



SUPERSEDED BY 225554-6	RG-142/U, 142A/U, 142B/U	-	225592-2	9-225560-4	225471-3	225518-1	-	7-225554-6
OBSOLETE	RG-59B/U & 62B/U	-	225592-3	225560-3	225471-2	225518-2	-	7-225554-3
SUPERSEDED BY 225554-2	RG-58A/U, 58C/U	-	225592-1	225560-2	225471-1	225518-1	-	7-225554-2
OBSOLETE	BXS-7004-501	-	225592-6	225612-4	225599-1	225518-6	-	1-225554-6
OBSOLETE	MICRO-DOT 250-4172, 250-4208 (BXS-704-502)	220015-3	-	225612-2	225599-1	225518-5	-	1-225554-2
	RG-393/U	220015-1	332022	225490-1	225471-7	225518-3	B	1-225554-1
OBSOLETE	RG-9/U, 9A/U & 214/U	220015-1	332022	331987	225599-1	225518-3	B	225554-9
OBSOLETE	RG-225/U	-	332022	331987	225471-7	225518-3	-	225554-7
	RG-142/U, 142A/U, 142B/U, RG400	220045-2	-	9-225560-4	225471-3	3-225518-1	A	225554-6
	RG-58A/U, 58C/U	220045-2	-	9-225560-5	225471-1	2-225518-1	A	225554-2
	RG-55/U, 55A/U, 55B/U & 223/U	220045-2	225592-2	9-225560-4	225471-1	225518-1	A	225554-1

CABLE	CRIMP TOOL	SEAL	FERRULE	CONTACT	PLUG ASSEMBLY	VIEW	PART NUMBER
	④	③	QTY=1	QTY=1	QTY=1		

THIS DRAWING IS A CONTROLLED DOCUMENT.

APPROVED BY: MICHAEL E. COWHER
 DESIGNED BY: FRANK P. MORANA
 CHECKED BY: FRANK P. MORANA
 DATE: 108-12001

DESCRIPTION: PLUG, RIGHT ANGLE, WEATHERPROOF, TNC

APPLICATION SPEC: 108-12001

WEIGHT: 0.000000

CUSTOMER DRAWING

SCALE: 4:1

SHEET: 1 OF 1

REV: N2