



AMP | Econoseal

TE Internal #: 826884-2

Housing for Female Terminals, 2 Position, .276 in [7 mm] Centerline, Sealable, Black, Wire & Cable, Cable Mount (Free-Hanging), Econoseal

[View on TE.com >](#)

Connectors > Automotive Connectors > Automotive Housings



Connector & Housing Type: **Housing for Female Terminals**

Number of Positions: **2**

Centerline (Pitch): **7 mm [.276 in]**

Sealable: **Yes**

Hybrid Connector: **No**

### Features

#### Product Type Features

Connector & Housing Type	Housing for Female Terminals
Sealable	Yes
Hybrid Connector	No
Primary Locking Feature	Integrated in Housing
Connector & Contact Terminates To	Wire & Cable

#### Configuration Features

Number of Positions	2
Number of Rows	1

#### Body Features

Primary Product Color	Black
-----------------------	-------

#### Mechanical Attachment

Connector Mounting Type	Cable Mount (Free-Hanging)
-------------------------	----------------------------

#### Housing Features

Centerline (Pitch)	7 mm [.276 in]
--------------------	----------------

#### Other

Connector Position Assurance Capable	No
--------------------------------------	----

### Product Compliance



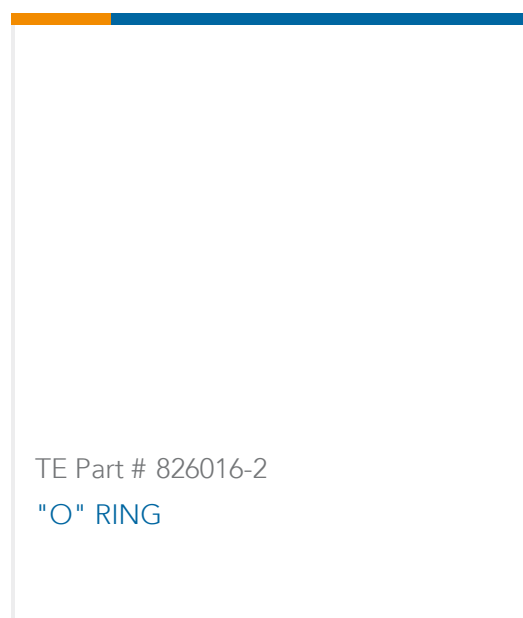
[For compliance documentation, visit the product page on TE.com>](#)

EU RoHS Directive 2011/65/EU	Compliant
EU ELV Directive 2000/53/EC	Compliant
China RoHS 2 Directive MIIT Order No 32, 2016	No Restricted Materials Above Threshold
EU REACH Regulation (EC) No. 1907/2006	<p>Current ECHA Candidate List: JUNE 2023 (235)                  Candidate List Declared Against: JAN 2023 (233)                  SVHC &gt; Threshold:                  DBMC (1.6% in Component Part)</p> <p><b>Article Safe Usage Statements:</b>                  Wash thoroughly after handling. Do not handle until all safety precautions have been read and understood. Recycle if possible and dispose of the article by following all applicable governmental regulations relevant to your geographic location.</p>
Halogen Content	Not Low Halogen - contains Br or Cl > 900 ppm.
Solder Process Capability	Not applicable for solder process capability

Product Compliance Disclaimer

This information is provided based on reasonable inquiry of our suppliers and represents our current actual knowledge based on the information they provided. This information is subject to change. The part numbers that TE has identified as EU RoHS compliant have a maximum concentration of 0.1% by weight in homogenous materials for lead, hexavalent chromium, mercury, PBB, PBDE, DBP, BBP, DEHP, DIBP, and 0.01% for cadmium, or qualify for an exemption to these limits as defined in the Annexes of Directive 2011/65/EU (RoHS2). Finished electrical and electronic equipment products will be CE marked as required by Directive 2011/65/EU. Components may not be CE marked. Additionally, the part numbers that TE has identified as EU ELV compliant have a maximum concentration of 0.1% by weight in homogenous materials for lead, hexavalent chromium, and mercury, and 0.01% for cadmium, or qualify for an exemption to these limits as defined in the Annexes of Directive 2000/53/EC (ELV). Regarding the REACH Regulation, the information TE provides on SVHC in articles for this part number is based on the latest European Chemicals Agency (ECHA) 'Guidance on requirements for substances in articles' posted at this URL: <https://echa.europa.eu/guidance-documents/guidance-on-reach>

### Compatible Parts



### Also in the Series | Econoseal



Automotive Connector Caps & Covers (1)



Automotive Connector Locks & Position Assurance(25)



Automotive Housings(105)



Automotive Terminals(48)



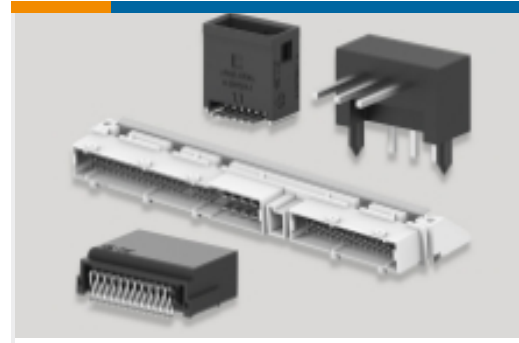
Connector Seals & Cavity Plugs(19)



Insertion & Extraction Tools(7)



Other Automotive Connector Accessories(5)



PCB Headers & Receptacles(4)

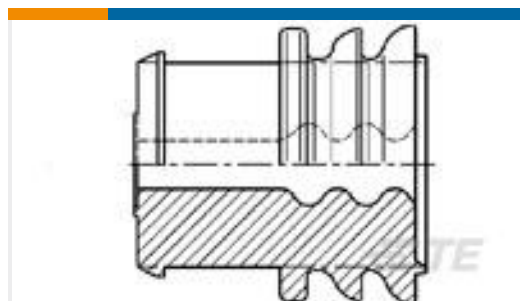


Primary Wire(1)

## Customers Also Bought



TE Part #794279-1  
12P UMNL INTERFACE SEAL



TE Part #963244-1  
EINZELDRAHTDICHTUNG



TE Part #826883-2  
02P ECONOSEAL "E"



TE Part #1-2393949-4  
COMBO 2,CHARGE INLET ASSY,  
WITH LED



TE Part #2181133003  
55A0811-24-9



TE Part #108556-000  
DS-MIXT-05-RSU



TE Part #926981-2  
CI 2 PIN



TE Part #827396-2  
HYLSA PIC

## Documents



## Product Drawings

### HSG ECONOSEAL 2 POS GERMANY

English

---

## CAD Files

Customer View Model

[ENG\\_CVM\\_CVM\\_826884-2\\_C.2d\\_dxf.zip](#)

English

## 3D PDF

3D

Customer View Model

[ENG\\_CVM\\_CVM\\_826884-2\\_C.3d\\_igs.zip](#)

English

Customer View Model

[ENG\\_CVM\\_CVM\\_826884-2\\_C.3d\\_stp.zip](#)

English

By downloading the CAD file I accept and agree to the [Terms and Conditions](#) of use.

---

## Datasheets & Catalog Pages

[Econoseal Connector Series Section Catalog](#)

English