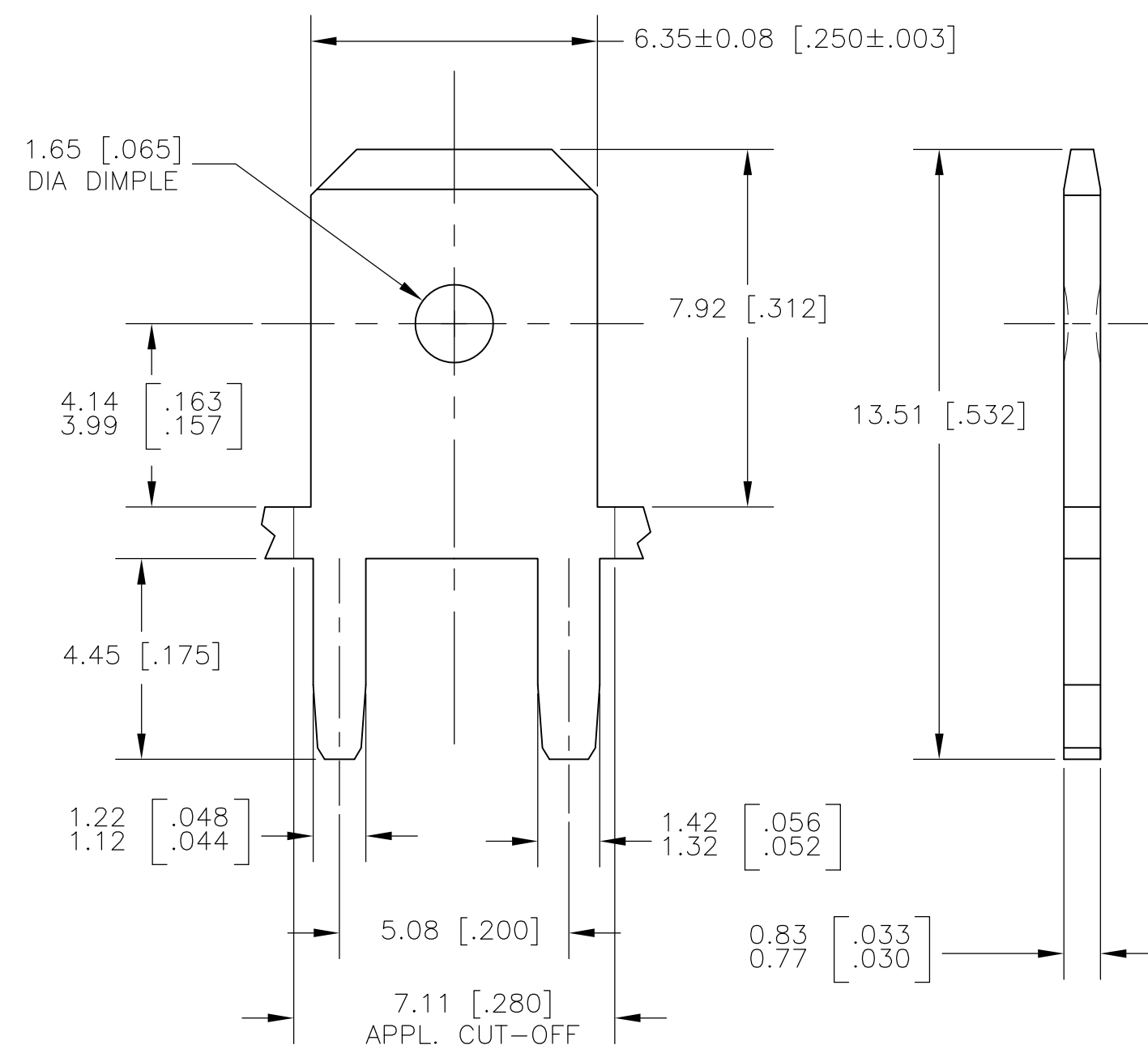
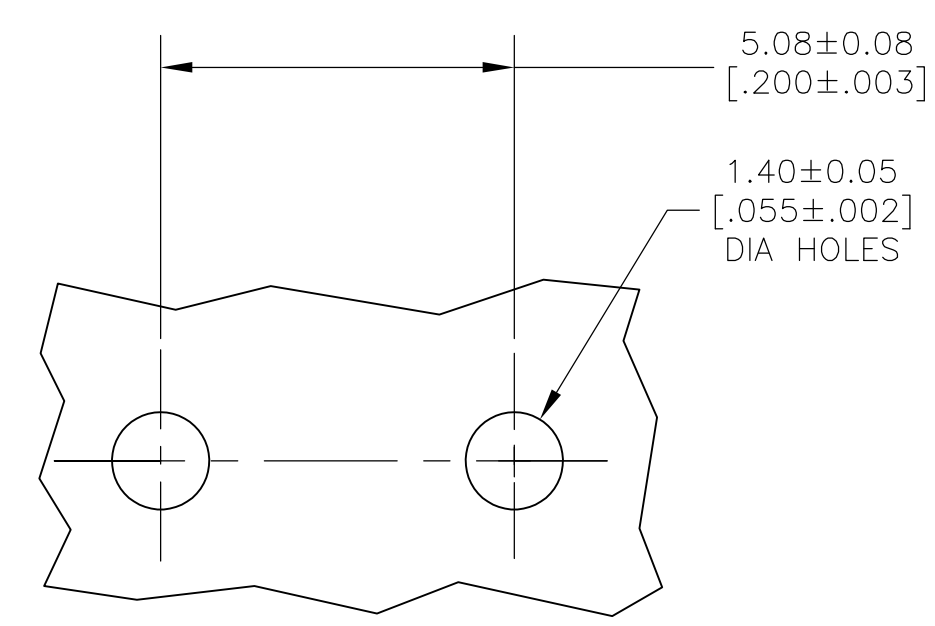


LOC	DIST	REVISIONS					
AF	50	P	LTR	DESCRIPTION	DATE	DWN	APVD
		G		REVISED PER ECR-13-001204	21JUN13	KH	PD



- 1 CONTINUOUS STRIP ON REELS.
- 2 0.00381 [.000150] MIN TIN OVER
0.00254 [.000100] MIN THK COPPER.



P.C. BOARD HOLES
SCALE 10:1

63650-1
PART NUMBER

THIS DRAWING IS A CONTROLLED DOCUMENT.		DWN	JR RUTH	15MAR01	 TE Connectivity	NAME		TAB, FASTON, PC BOARD, 6.35 [.250] SERIES			
DIMENSIONS: mm[INCHES]		CHK	MS FEHER	20MAR01		APVD		N DEIBERT		20MAR01	
		TOLERANCES UNLESS OTHERWISE SPECIFIED:		PRODUCT SPEC		APPLICATION SPEC		114-2115			
MATERIAL		FINISH		WEIGHT		SIZE	CAGE CODE	DRAWING NO	RESTRICTED TO		
BRASS		TIN OVER COPPER		-		A3	00779	C-63650	-		
CUSTOMER DRAWING						SCALE	8:1	SHEET	1 OF 1	REV	G