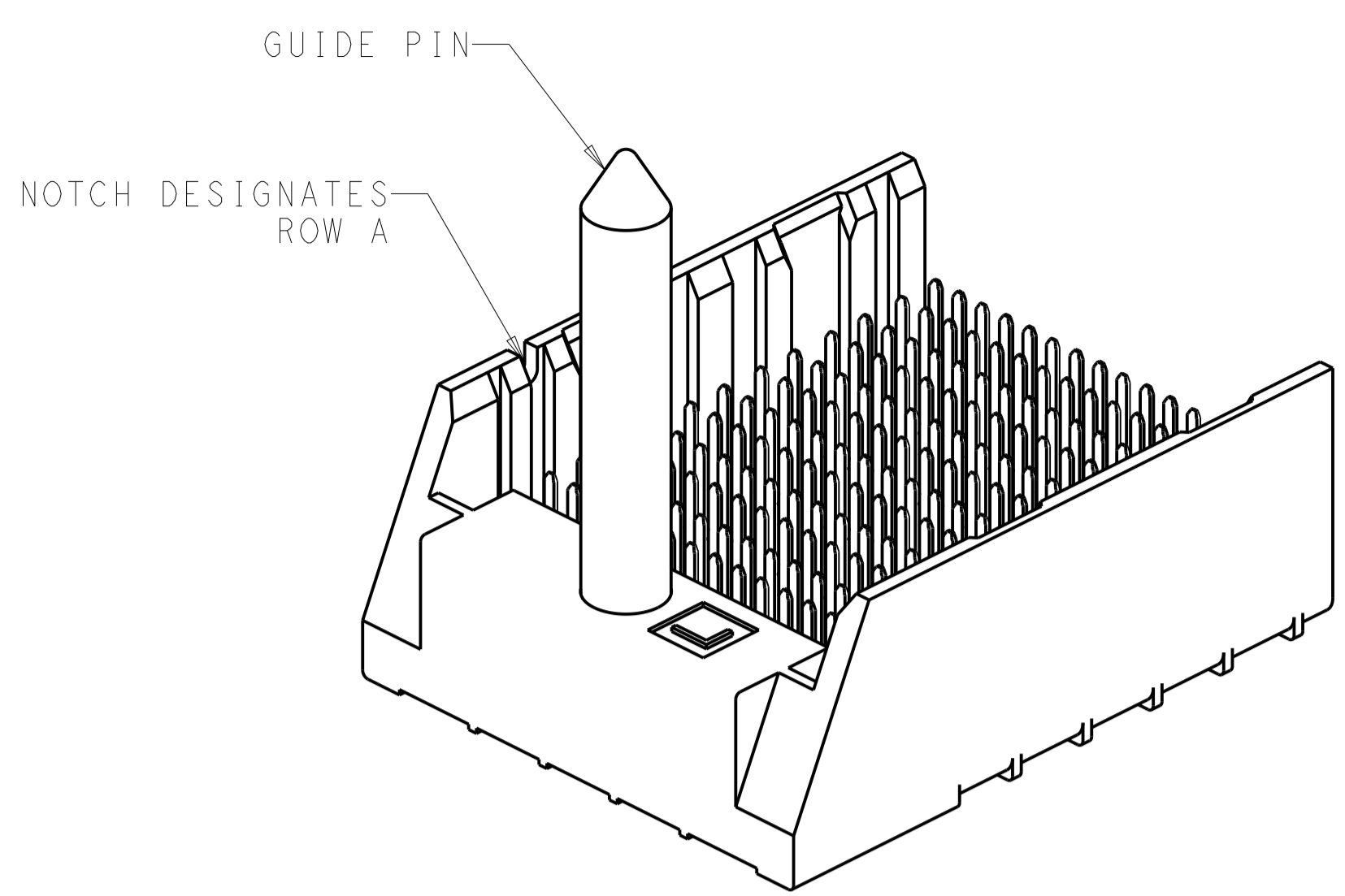


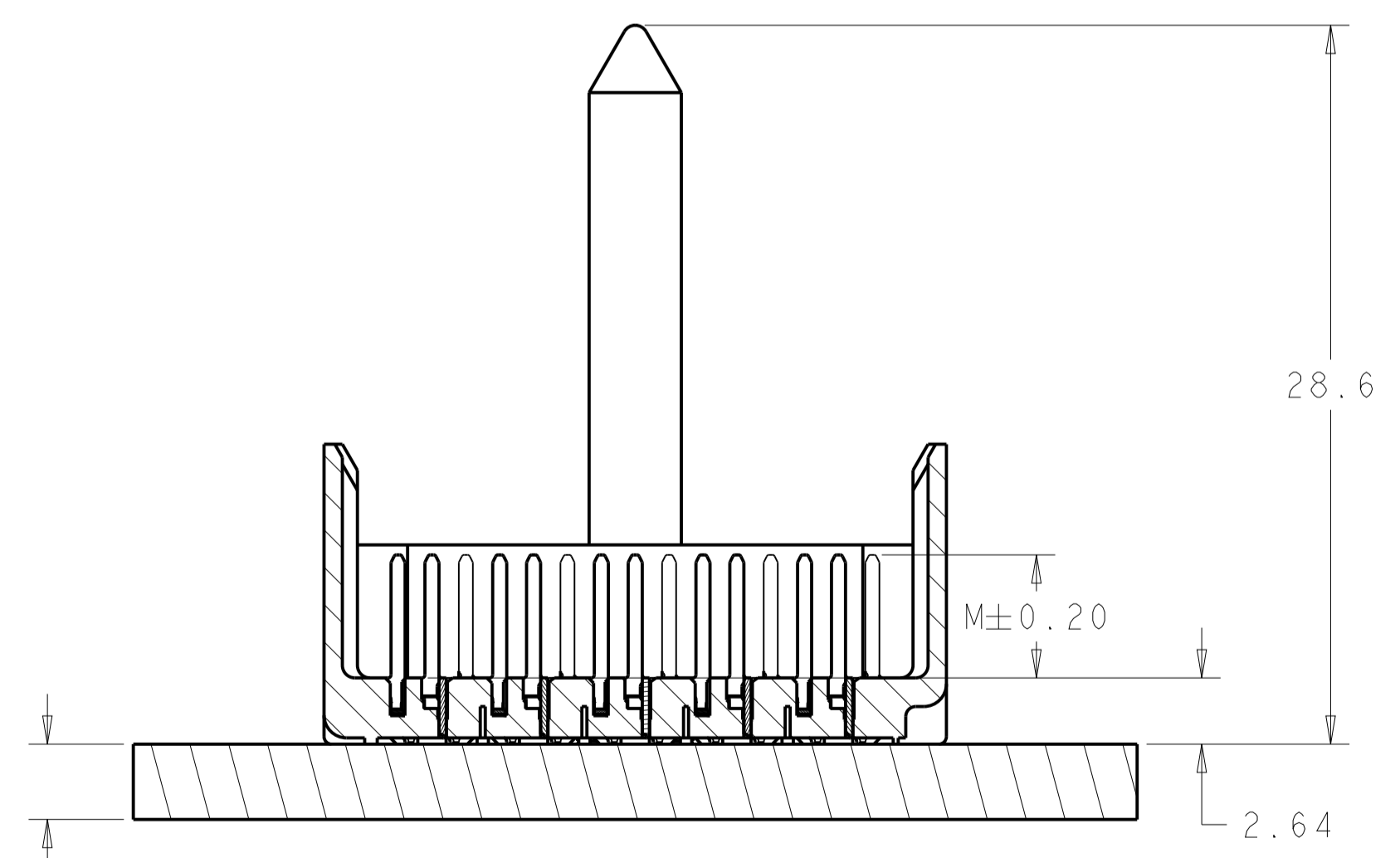
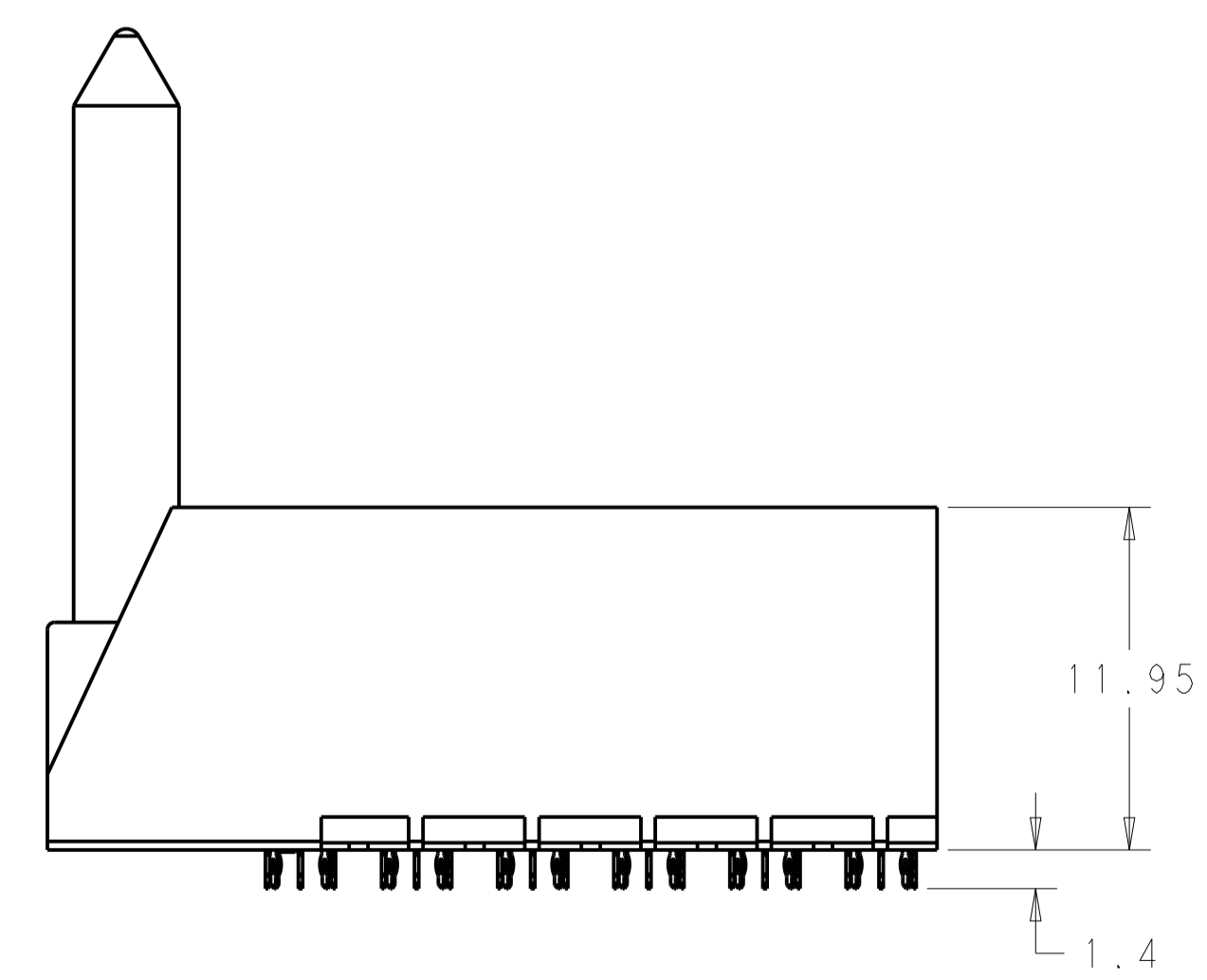
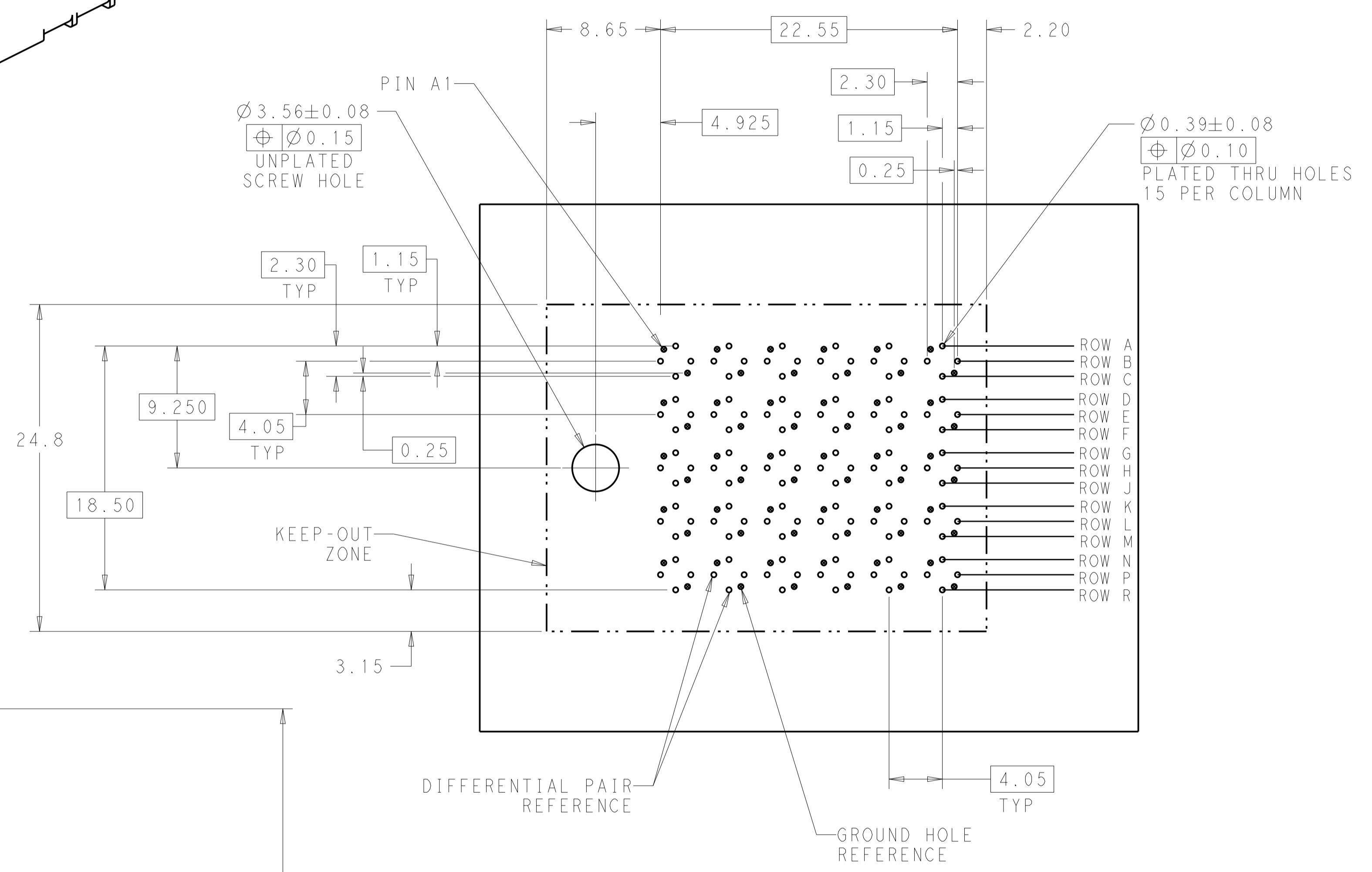
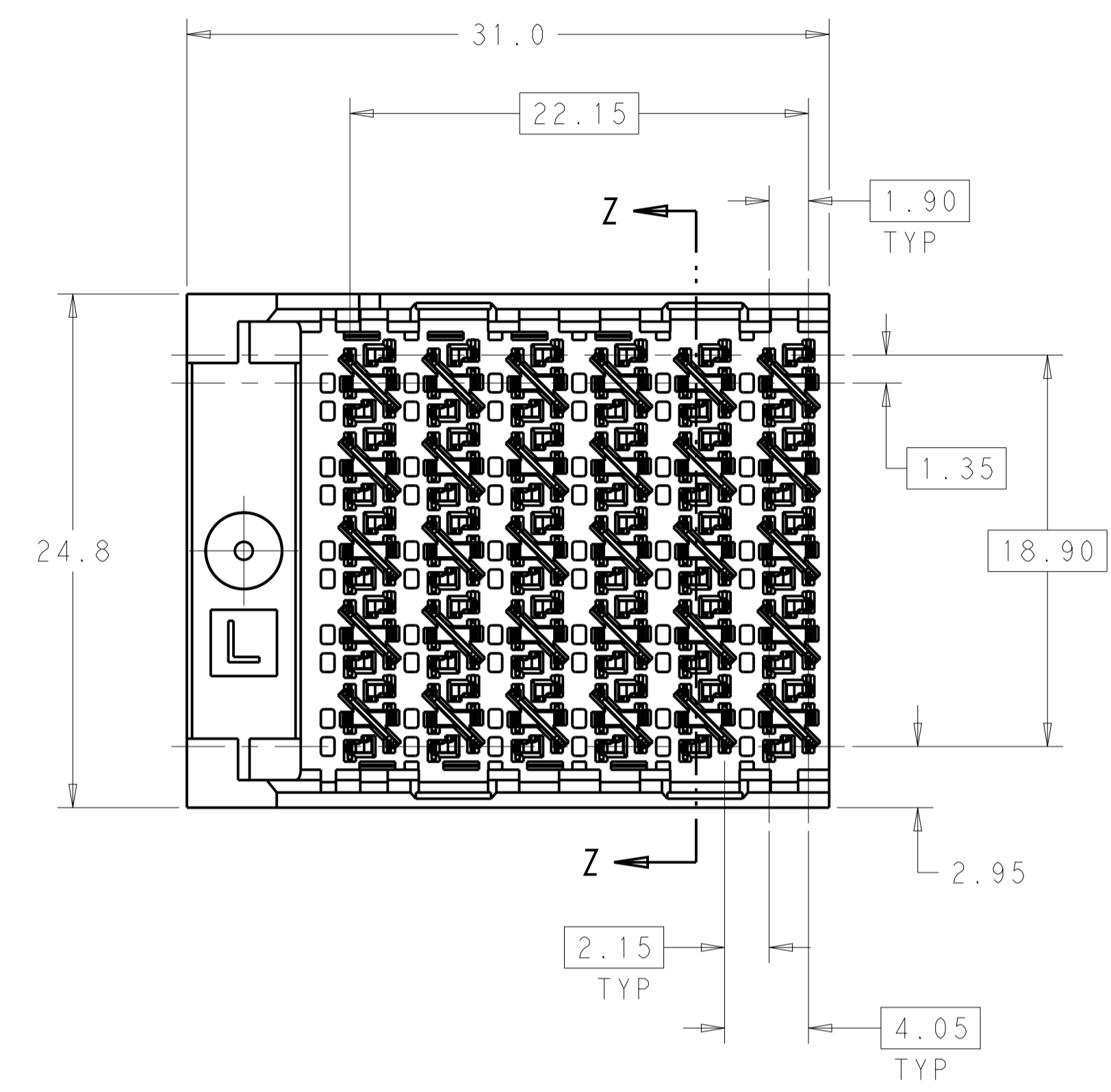
REVISIONS				
P.	LTN	DESCRIPTION	DATE	DMN APVD
B		REVISED PER ECO-14-013272	09SEP2014	AP DD



MATERIAL:
 HOUSING: LCP GLASS FILLED UL94V-0
 TERMINALS: HIGH PERFORMANCE COPPER ALLOY

FINISH:
 30μ" MIN GOLD IN CONTACT AREA
 SELECTIVE TIN ON PCB TAILS.
 NICKEL OVERALL.

3. SCREWS PACKAGED IN THE END OF PACKAGING TUBE.



3.00 MIN BOARD THICKNESS

SECTION Z-Z

LEFT GUIDED BACKPLANE HOLE PATTERN (CONNECTOR SIDE) SCALE 4:1

Δ	5.5	2143569-2
Δ	4.9	2143569-1
FINISH	DIM M	PART NUMBER

THIS DRAWING IS A CONTROLLED DOCUMENT.		DMN J. K. SHOBER 18AUG2010	TE Connectivity
DIMENSIONS: mm		CHK J. EARY 18AUG2010	
TOLERANCES UNLESS OTHERWISE SPECIFIED:		APVD J. EARY 18AUG2010	NAME: IMPACT, 5 PAIR, 12 COLUMN, LEFT GUIDED RIGHT END WALL ASSEMBLY, ORTHOGONAL, 0.39 PTH SIZE: CAGE CODE DRAWING NO: A100779C=2143569 RESTRICTED TO:
0 PLC ± 1 PLC ±0.25 2 PLC ±0.13 3 PLC ± 4 PLC ± ANGLES ±0		PRODUCT SPEC APPLICATION SPEC WEIGHT CUSTOMER DRAWING	
MATERIAL: SEE TABLE		SCALE 4:1	SHEET 1 OF 1 REV B