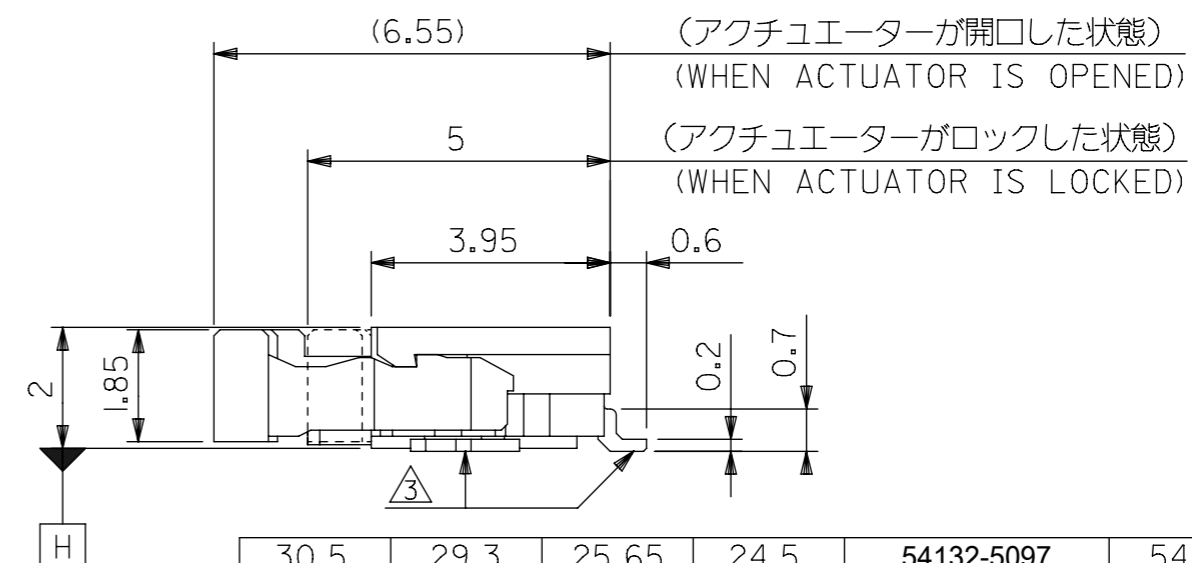


SECT. J-J  
SCALE 15:1



30.5	29.3	25.65	24.5	54132-5097	54132-5039	50
28.0	26.8	23.15	22.0	-4597	-4539	45
27.0	25.8	22.15	21.0	-4397	-4339	43
25.5	24.3	20.65	19.5	-4097	-4039	40
24.5	23.3	19.65	18.5	-3897	-3839	38
23.5	22.3	18.65	17.5	-3697	-3639	36
23.0	21.8	18.15	17.0	-3597	-3539	35
22.5	21.3	17.65	16.5	-3497	-3439	34
22.0	20.8	17.15	16.0	-3397	-3339	33
21.5	20.3	16.65	15.5	-3297	-3239	32
20.5	19.3	15.65	14.5	54132-3097	54132-3039	30
D	C	B	A	EMBOSSSED TAPE MATERIAL. NO.		CKT.
ORDER No. オーダー番号					54132-**-39	MODEL. NO.

THIS DRAWING CONTAINS INFORMATION THAT IS PROPRIETARY TO MOLEX ELECTRONIC TECHNOLOGIES, LLC AND SHOULD NOT BE USED WITHOUT WRITTEN PERMISSION

DIMENSION UNITS: mm SCALE: NTS

GENERAL TOLERANCES (UNLESS SPECIFIED):

ANGULAR TOL	±	°
4 PLACES	±	
3 PLACES	±	
2 PLACES	±	
1 PLACE	±	
0 PLACES	±	

DRAFT WHERE APPLICABLE MUST REMAIN WITHIN DIMENSIONS

THIRD ANGLE PROJECTION

DRAWING: A3-SIZE

SERIES: 54132

MATERIAL NUMBER: SEE TABLE

CUSTOMER: GENERAL MARKET

SHEET NUMBER: 1 OF 2

EC NO: 719890  
DRWN: NARENC 2022/08/23  
CHK'D: SMARUYAMA 2022/09/05  
APPR: YNAITO 2022/09/05

INITIAL REVISION:  
DRWN: MNABEI 2003/12/16  
APPR: MSASAO 2003/12/17

DOCUMENT NUMBER: SD-54132-060

DOC TYPE: PSD

DOC PART: 001

REVISION: C

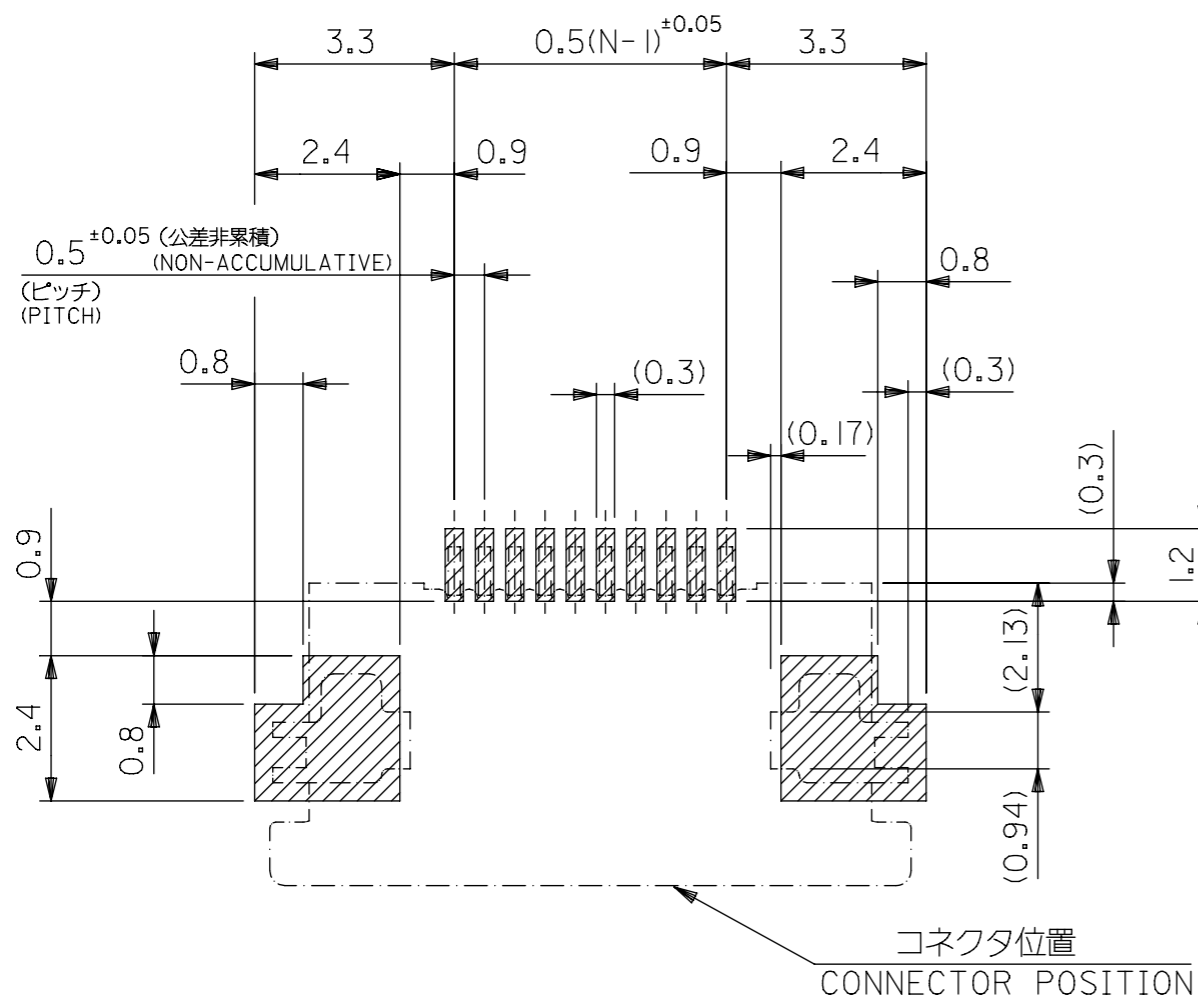
**molex**

0.5 FPC CONN ZIF HOUSING ASSY FOR SMT -LEAD FREE-

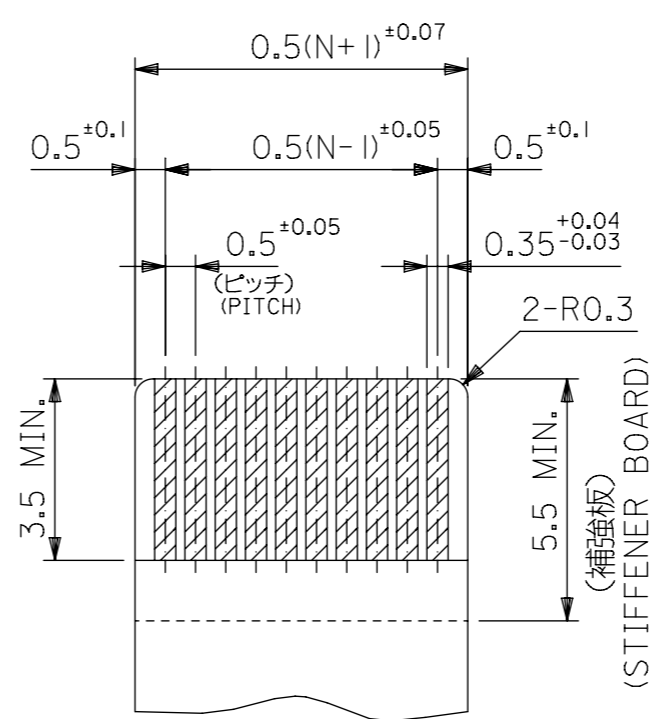
PRODUCT CUSTOMER DRAWING

GENERAL TOLERANCES (UNLESS SPECIFIED)

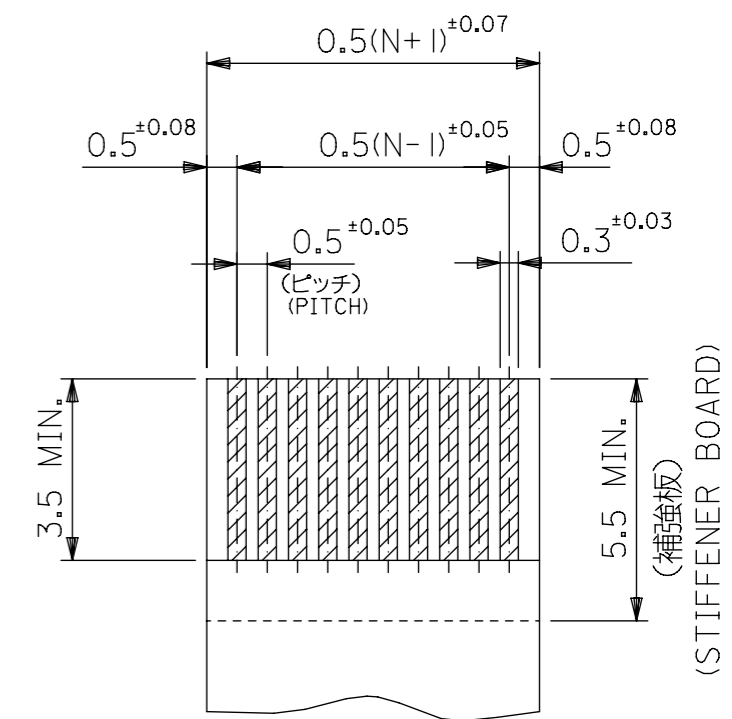
10 <sup>UNDER</sup>	±0.2
10 <sup>OVER</sup> 30 <sup>UNDER</sup>	±0.25
30 <sup>OVER</sup>	±0.3
ANGULAR	±3°



参考基板レイアウト  
RECOMMENDED PCB BOARD PATTERN DIMENSION(REF.)  
(マウント面)  
(MOUNTING SIDE)



適合FPC推奨寸法  
APPLICABLE FPC RECOMMENDED DIMENSION  
(仕上がり厚さ: 0.3±0.03)  
(THICKNESS: 0.3±0.03)



適合FFC推奨寸法  
APPLICABLE FFC RECOMMENDED DIMENSION  
(仕上がり厚さ: 0.3±0.03)  
(THICKNESS: 0.3±0.03)

注記  
NOTES

1. 使用材料  
MATERIAL : 46ナイロン, UL94V-0  
HOUSING : 46NYLON  
アクチュエーター  
ACTUATOR : PPS, UL94V-0  
ターミナル  
TERMINAL : リン青銅 (t=0.2), 錫・ヒスマスメッキ 1.0~3.0 MICRO METER MIN.  
ニッケル下地 1.0~3.0 MICRO METER MIN.  
OVER NICKEL 1.0~3.0 MICRO METER MIN.  
金具  
FITTING NAIL : リン青銅 (t=0.2), 錫メッキ 1.0~3.0 MICRO METER MIN.  
ニッケル下地 1.0~3.0 MICRO METER MIN.  
OVER NICKEL 1.0~3.0 MICRO METER MIN.

2. エンボステープ梱包時は、アクチュエーターがロックした状態とする。  
IN THE PACKAGE, ACTUATOR OF PART NO.54132-\*\*\*31 SHOULD BE LOCKED.
3. ソルダータール半田付け面のズレ量、及び金具半田付け面のズレ量は、基準面 [H] に対し上方向0.1MAX.、下方向0.15MAX.とする。  
MISALIGNMENT OF SOLDER TAILS AND FITTING NAIL FROM [H] UPPER DIRECTION: 0.1 MAX., LOWER DIRECTION: 0.15 MAX.
4. 偶数極に適用  
APPLY FOR EVEN CIRCUIT.
5. パターンはくり止め用金具  
FITTING NAIL FOR PREVENTION OF PEELING OF P.C.B. PATTERN.
6. 本製品は54132-\*\*\*31の鉛フリー品である。  
THIS PRODUCT IS LEAD FREE OF 54132-\*\*\*31

FPC/FFCについて  
打抜き方向は導体側から補強板側を推奨いたします。  
導体部については軟銅箔35マイクロメートルまたは50マイクロメートル  
RECOMMENDED PUNCHER DIRECTION:  
FROM CONDUCTOR SIDE TO STIFFENER BOARD SIDE.  
RECOMMENDED CONDUCTOR SPEC.:  
THICKNESS OF SOFT COPPER FOIL:  
35 micrometer or 50 micrometer

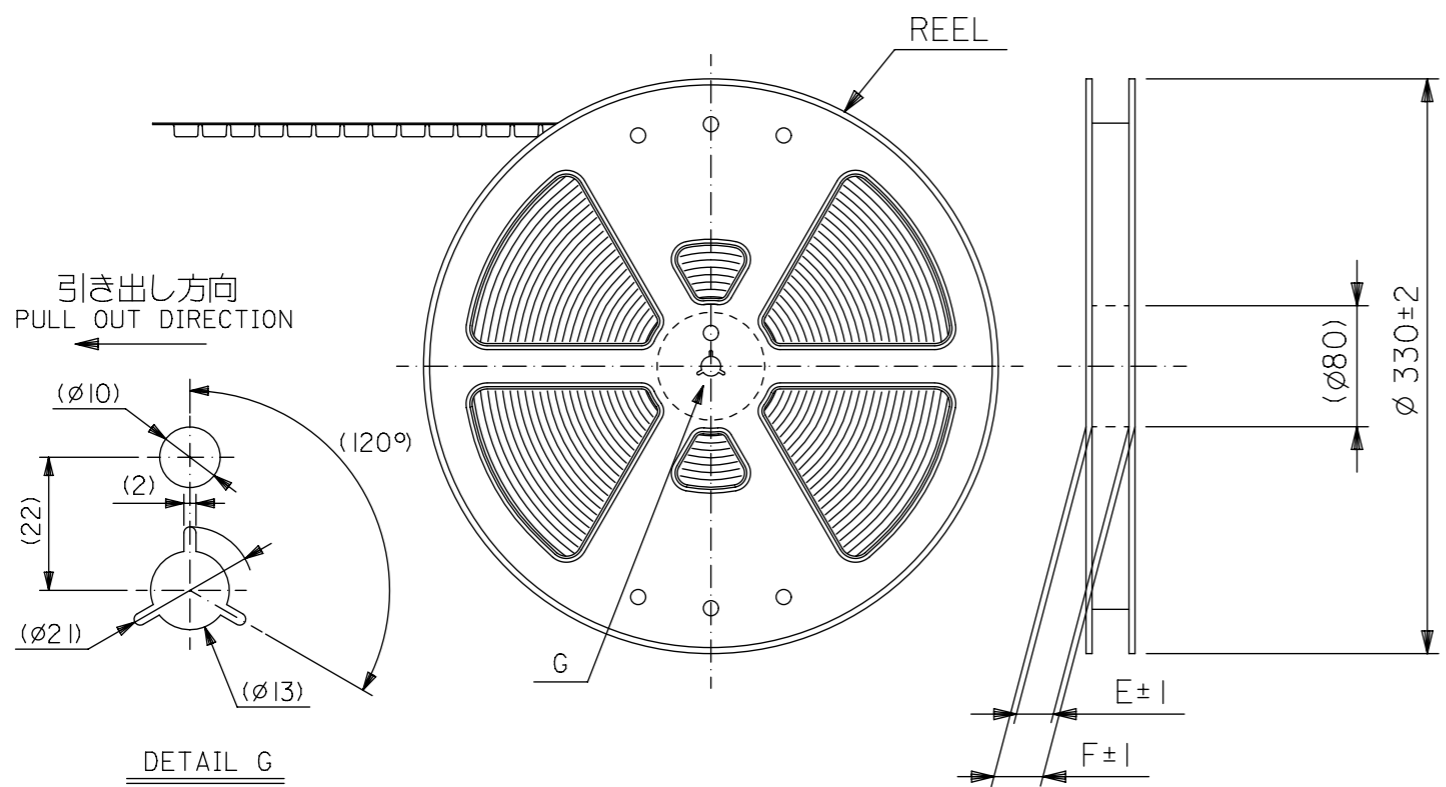
54132-\*\*\*39 MODEL NO.

THIS DRAWING CONTAINS INFORMATION THAT IS PROPRIETARY TO MOLEX ELECTRONIC TECHNOLOGIES, LLC AND SHOULD NOT BE USED WITHOUT WRITTEN PERMISSION

DIMENSION UNITS	SCALE	CURRENT REV DESC:	
mm	NTS		
GENERAL TOLERANCES (UNLESS SPECIFIED)			
ANGULAR TOL	±	°	
4 PLACES	±		
3 PLACES	±		
2 PLACES	±		
1 PLACE	±		
0 PLACES	±		
DRAFT WHERE APPLICABLE MUST REMAIN WITHIN DIMENSIONS		THIRD ANGLE PROJECTION	
		DRAWING	SERIES
		A3-SIZE	54132
		MATERIAL NUMBER	CUSTOMER
		SEE TABLE	GENERAL MARKET
		DOCUMENT NUMBER	DOC TYPE DOC PART REVISION
		SD-54132-060	PSD 001 C
		SHEET NUMBER	
			2 OF 2

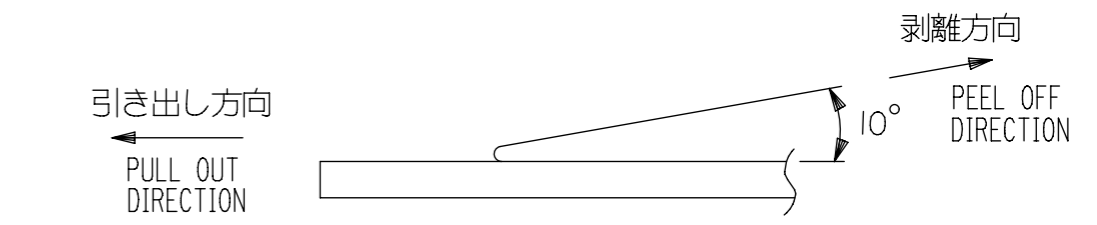
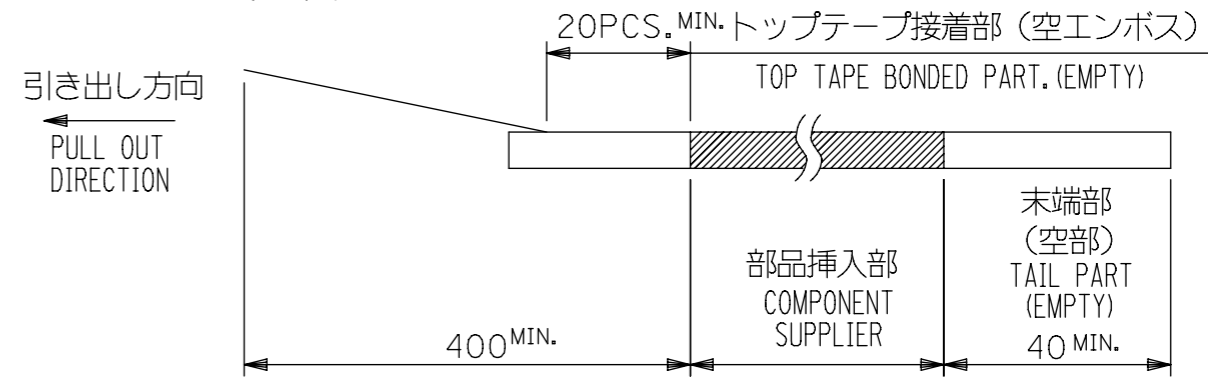
GENERAL TOLERANCES (UNLESS SPECIFIED)

10 <sup>UNDER</sup>	±0.2
10 <sup>OVER</sup> 30 <sup>UNDER</sup>	±0.25
30 <sup>OVER</sup>	±0.3
ANGULAR	±3°



NOTES

- 梱包数量：1500個/リール  
NUMBER OF CONNECTORS : 1500PCS/REEL
- リードテープ長さ LEAD TAPE LENGTH  
20PCS. MIN. トップテープ接着部 (空エンボス)  
TOP TAPE BONDED PART. (EMPTY)  
部品挿入部  
COMPONENT SUPPLIER  
末端部 (空部)  
TAIL PART (EMPTY)  
40 MIN.
- トップテープの剥離強度： 0.1N ~ 1.3N (10gf ~ 130gf)  
(剥離方向は下図参照)  
尚、本規格値は出荷時に適用。(但し、輸送時に剥離が発生しないこと。)  
PEELING OFF FORCE OF TOP TAPE : 0.1N ~ 1.3N (10gf ~ 130gf).  
(PEELING DIRECTION AS SHOWN IN FOLLOWING FIG.)  
THIS REQUIREMENT SHOULD BE APPLIED AT SHIPMENT.  
PEEL OFF SHOULD NOT BE ALLOWED , DURING TRANSPORTATION.



- 材料  
キャリアテープ：ポリプロピレン (PP)  
トップテープ：PET, PE, PEF  
リール：ポリスチレン (PS) <リサイクル材を含む>

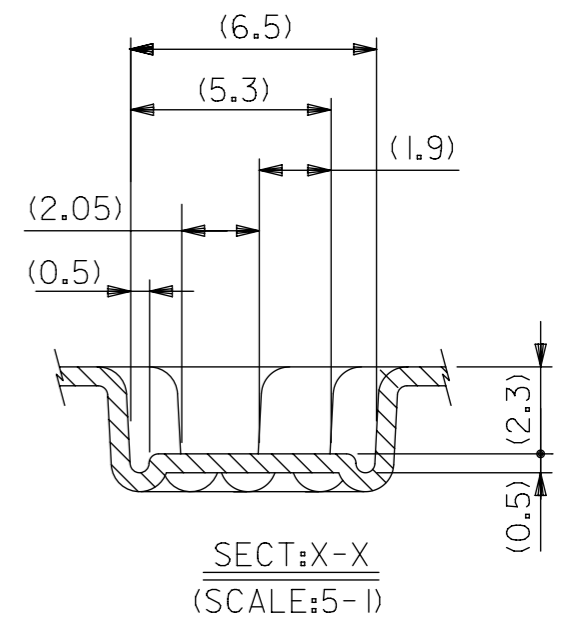
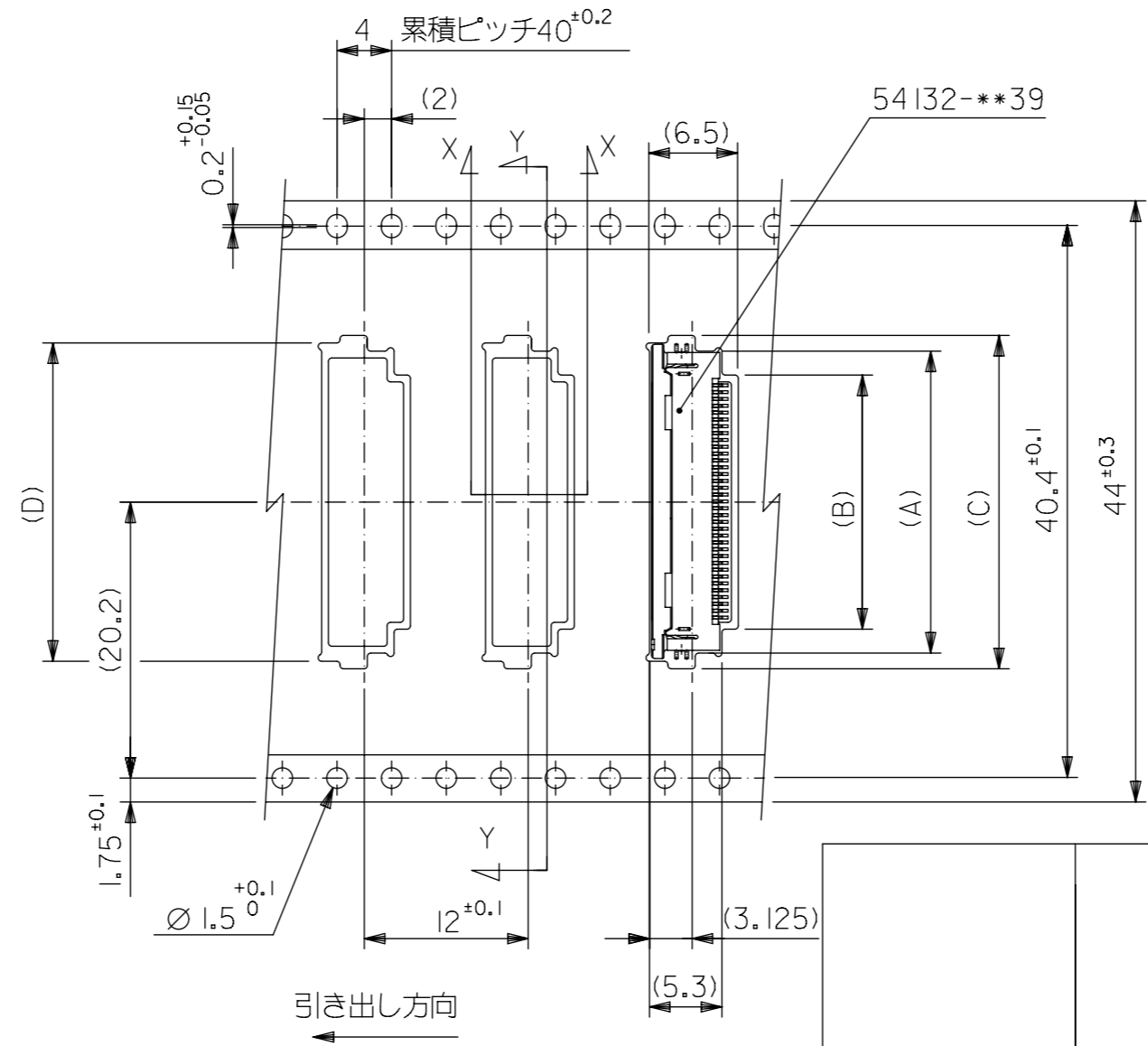
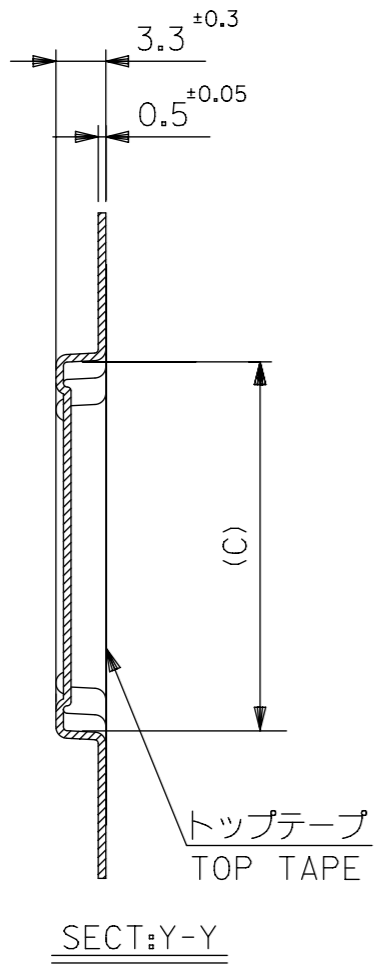
MATERIAL CARRIER TAPE: POLYPROPYLENE  
TOP TAPE: PET, PE, PEF  
REEL: POLYSTYREN (PS)  
<RECYCLE MATERIAL CONTAINED>

- 本製品は54132-\*\*-92の鉛フリー品である。  
THIS PRODUCT IS LEAD FREE OF 54132-\*\*-92

54132-\*\*-97 MODEL NO.

THIS DRAWING CONTAINS INFORMATION THAT IS PROPRIETARY TO MOLEX ELECTRONIC TECHNOLOGIES, LLC AND SHOULD NOT BE USED WITHOUT WRITTEN PERMISSION		CURRENT REV DESC:		<b>molex</b>	
DIMENSION UNITS	SCALE				
mm	NTS			EMBOSSED TAPE PACKAGE FOR 0.5 FPC CONN. ZIF -LEAD FREE-	
GENERAL TOLERANCES (UNLESS SPECIFIED)		EC NO: 719890		PRODUCT CUSTOMER DRAWING	
ANGULAR TOL ± °		DRWN: NARENC 2022/08/22		DOCUMENT NUMBER	
4 PLACES ±		CHK'D: SMARUYAMA 2022/09/05		SD-54132-061	
3 PLACES ±		APPR: YNAITO 2022/09/05		DOC TYPE	
2 PLACES ±		INITIAL REVISION:		PSD	
1 PLACE ±		DRWN: MNABEI 2003/12/16		DOC PART	
0 PLACES ±		APPR: MSASAO 2003/12/17		001	
DRAFT WHERE APPLICABLE MUST REMAIN WITHIN DIMENSIONS		THIRD ANGLE PROJECTION	DRAWING	SERIES	SHEET NUMBER
			A3-SIZE	54132	1 OF 2

GENERAL TOLERANCES (UNLESS SPECIFIED)	
10 <sup>UNDER</sup>	±0.2
10 <sup>OVER</sup> 30 <sup>UNDER</sup>	±0.25
30 <sup>OVER</sup>	±0.3
ANGULAR	±3°



44	49.4	45.4	30.8	31.6	26.1	29.6	54132-5097	50		
			28.3	29.4	23.6	27.1	-4597	45		
			27.3	28.4	22.6	26.1	-4397	43		
			25.8	26.9	21.1	24.6	-4097	40		
			24.8	25.9	20.1	23.6	-3897	38		
			23.8	24.9	19.1	22.6	-3697	36		
			23.3	24.4	18.6	22.1	-3597	35		
			22.8	23.9	18.1	21.6	-3497	34		
			22.3	23.4	17.6	21.1	-3397	33		
			21.8	22.9	17.1	20.6	-3297	32		
20.8	21.9	16.1	19.6	54132-3097	30					
キャリアテープ幅 CARRIER TAPE WIDTH			F	E	D	C	B	A	ENG. NO.	CKT.

54132-\*\*\*97 MODEL.NO.

THIS DRAWING CONTAINS INFORMATION THAT IS PROPRIETARY TO MOLEX ELECTRONIC TECHNOLOGIES, LLC AND SHOULD NOT BE USED WITHOUT WRITTEN PERMISSION

DIMENSION UNITS	SCALE	CURRENT REV DESC.	<b>molex</b>		
mm	NTS				
GENERAL TOLERANCES (UNLESS SPECIFIED)			EMBOSSED TAPE PACKAGE FOR 0.5 FPC CONN.ZIF -LEAD FREE-		
ANGULAR TOL ± °			PRODUCT CUSTOMER DRAWING		
4 PLACES ±		EC NO: 719890	DOCUMENT NUMBER		
3 PLACES ±		DRWN: NARENC	DOC TYPE		
2 PLACES ±		CHK'D: SMARUYAMA	DOC PART		
1 PLACE ±		APPR: YNAITO	REVISION		
0 PLACES ±		INITIAL REVISION:	SD-54132-061		
DRAFT WHERE APPLICABLE MUST REMAIN WITHIN DIMENSIONS			MATERIAL NUMBER		
THIRD ANGLE PROJECTION			CUSTOMER		
DRAWING			SHEET NUMBER		
SERIES			SEE TABLE		
MATERIAL NUMBER			GENERAL MARKET		
DRAWING			2 OF 2		

GENERAL TOLERANCES (UNLESS SPECIFIED)

10 <sup>UNDER</sup>	±0.2
10 <sup>OVER</sup> 30 <sup>UNDER</sup>	±0.25
30 <sup>OVER</sup>	±0.3
ANGULAR	±3 °