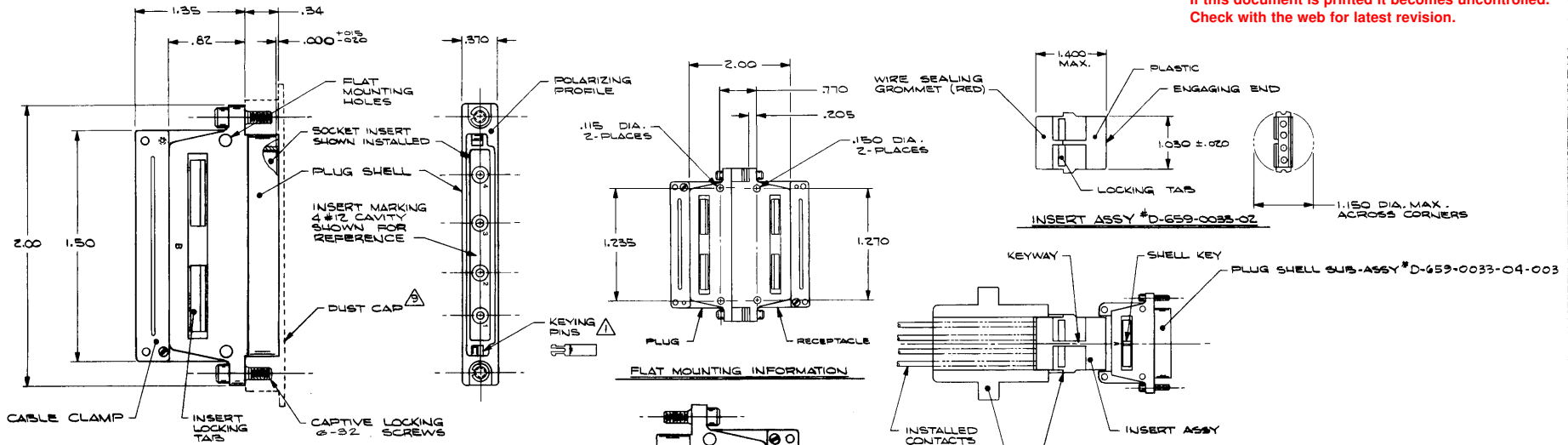


REVISIONS		DATE	APPROVED
B	REVISE PER DCR# T-28607	2/12/2001	M.HICCY

If this document is printed it becomes uncontrolled.
Check with the web for latest revision.



NOTES :

- KEYING CODE DOES NOT FORM A PART OF RAYCHEM PART NUMBER SYSTEM AND SHOULD BE OMITTED WHEN ORDERING. KEYING PINS ARE SUPPLIED UN-INSTALLED.
- CONNECTOR ASSEMBLY SUPPLIED IN KIT FORM AND SHALL BE ASSEMBLED BY USER. THE COMPLETED ASSEMBLY DESIGNED TO MEET APPLICABLE REQUIREMENTS OF SPECIFICATION D-6007.
KIT INCLUDES :
a) PLUG SHELL SUB-ASSY (INCLUDES ASSEMBLED JACKSCREW LOCKING MECHANISM).
b) INSERT SUB-ASSEMBLY #D-659-0033-02
c) CABLE CLAMP AND BUSHING
d) CABLE CLAMP SCREWS
e) KEYING PINS
- CONNECTOR COMPONENTS AND ACCESSORIES ARE INDIVIDUALLY BAGGED AND LABELED.
- REAR GROMMET INSERT WILL SEAL ON SMOOTH INSULATION FROM .097 TO .158 O.D.
- CONNECTOR DESIGNED FOR USE WITH POWER AND SHIELDED CONTACTS PER TABLE I.
- ALL UNUSED CAVITIES TO BE SEALED USING SEALING PLUG NUMBER M83723-28-12.
- ALL CONTACTS SIZE 12 POWER OR COAX SHIELDED MAY BE INSERTED AND REMOVED USING TOOL NUMBER M83723-31-12.
- REFER TO RAYCHEM SPECIFICATION D-6007 FOR COMPLETE DETAILS.
- CONNECTOR SUPPLIED WITH A SHIPPING DUST CAP OVER ENGAGING END.
- INSERT ASSEMBLY TO BE INSTALLED USING TOOL AD-1521-5.
- MATES WITH RECEPTACLE CONNECTOR NUMBER MTC CIR-COAX OIP-01.
- CONNECTOR MATING REQUIREMENTS: 9 in. lbs. TORQUE FOR CAPTIVE LOCKING SCREW.
- CADMIUM PLATE IS PER QQ-P-416 OVER NICKEL UNDERPLATE.
- DIMENSIONS WITHOUT TOLERANCES ARE TO BE CONSIDERED FOR REFERENCE ONLY.

INSERT INSTALLATION PROCEDURE :

- POSITION AD-1521-5 TOOL AGAINST INSERT SHOULDER.
- ALIGN INSERT KEYWAY WITH KEY IN PLUG SHELL SUB-ASSY.
- PUSH TOOL AND INSERT INTO PLUG SHELL UNTIL INSERT BOTTOMS IN SHELL AND THE LOCKING TABS ARE POSITIONED INTO THE SHELL WINDOW.
- CHECK FOR PROPER INSERT LOCATION DIMENSION.

TABLE I
SOCKET CONTACT AND TOOLING INFORMATION

CONTACT TYPE	MILITARY PART NO.	WIRE STRIP LENGTH	TERMINATION TOOL
SHIELDED CONTACT FOR COAX CABLE	---	SEE DRAWING D-602-0095 OR D-602-0107	SEE DRAWING D-602-0095 OR D-602-0107
CONTACT FOR TWISTED PAIR	---	SEE DRAWING D-602-0105	SEE DRAWING D-602-0105
POWER CONTACT SIZE 12	M83723-31-12	1/4" TO 5/16"	M22525/1-01 POSITIONER M22520/1-02

SPECIFICATION CONTROL DRAWING

MATERIAL	UNLESS OTHERWISE SPECIFIED DIMENSIONS ARE IN INCHES AND TOLERANCES ARE XXX ± XX ± X ±	DRAWN		TYCO/ELECTRONICS/RAYCHEM	WIRE AND HARNESSING PRODUCTS 307 CONSTITUTION DRIVE MENLO PARK, CALIFORNIA 94025
		CHECKED		TITIF	KIT, CONNECTOR, PLUG, RECTANGULAR, ENVIRONMENTAL, LOOSE SOCKET INSERT & KEYING PINS ONE INCH MTC SERIES CADMIUM PLATED
		APPROVED			
		APPROVED			
FINISH		PART NUMBER	50268	SIZE D	CODE IDENT NO 06990
		PROJECT		DWG. NO. D-659-0033-003	REV. B
		SCALE		WEIGHT	SHEET

DO NOT SCALE THIS DRAWING

NEXT ASSY USED ON APPLICATION