



- *Wide variety of applications from industrial to consumer products*
- *Single pole single throw with neon lamp and LED options*
- *Quick connect termination*
- *Full or dot illumination*
- *Numerous choices in illumination colors and markings*

Specifications

| | | | |
|--------------------|------------------------------|-----------------------|----------------|
| Switch Function | SPST | Contact Resistance | ≤ 50mΩ initial |
| Electrical Ratings | UL 61058-1 | Dielectric Strength | 1500Vrms min |
| | 15A @ 125VAC General Purpose | Insulation Resistance | ≥ 100MΩ min |
| Electrical Life | 10A @ 250VAC General Purpose | Operating Temperature | -20°C to 70°C |
| | 10,000 cycles typical | Storage Temperature | -20°C to 70°C |
| | | Sealing Degree | IP40 |

Materials

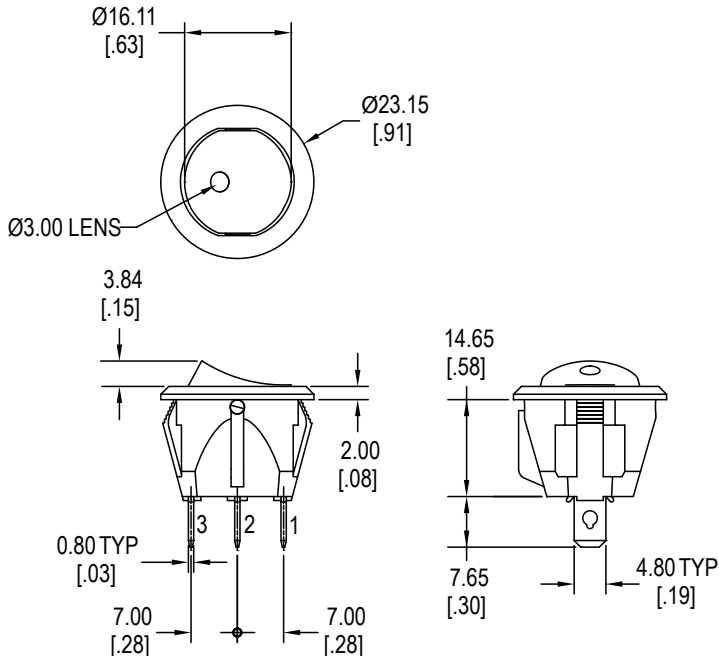
| | |
|---------------|----------------------------|
| Base | 6/6 Nylon |
| Housing | 6/6 Nylon |
| Actuator | 6/6 Nylon or Polycarbonate |
| Actuator Lens | Polycarbonate (PC) |
| Contacts | Silver Alloy |
| Terminals | Brass, Silver Plated |

Ordering Information

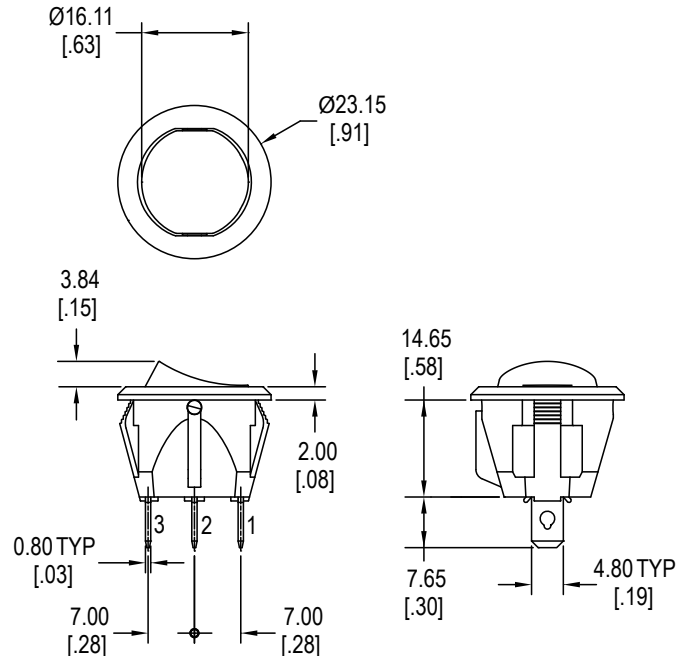
| | | | | | | | | |
|--|-----|---|---|---|-----|----|---|-----|
| 1. Series | RR3 | 1 | 1 | 2 | 23T | FB | C | N17 |
| RR3 | | | | | | | | |
| 2. Number of Poles 1 = Single Pole | | | | | | | | |
| 3. Switch Function 1 = OFF - ON | | | | | | | | |
| 4. Housing Color 1 = White 2 = Black 9 = Gray | | | | | | | | |
| 5a. Solid Actuator Color with Lens — <i>Requires lens color choice below</i> 1 = White 4 = Yellow 7 = Blue 2 = Black 5 = Green 8 = Purple 3 = Red 6 = Orange 9 = Gray Lens Color 0T = Clear (Transparent) 5T = Green (Transparent) 3T = Red (Transparent) 7T = Blue (Transparent) 4T = Yellow (Transparent) | | | | | | | | |
| 5b. Transparent Actuator Color: 1T = White 5T = Green 3T = Red 6T = Orange 4T = Yellow 7T = Blue | | | | | | | | |
| 6. Actuator Marking — <i>Requires marking color choice below</i> A E B F C G D K Actuator Marking Color Blank = No Marking B = Black W = White R = Red | | | | | | | | |
| 7. Terminal Option C = .187" Quick Connect / Solder Lug | | | | | | | | |
| 8a. Lamp Options* N1 = 125VAC Neon Lamp N2 = 250VAC Neon Lamp <i>*Requires lamp color choice below</i> Neon Lamp Colors 0 = standard lamp 5 = Green 7 = Blue | | | | | | | | |
| 8b. LED Options** R12 = Red LED 12V B12 = Blue LED 12V R24 = Red LED 24V B24 = Blue LED 24V Y12 = Yellow LED 12V W12 = White LED 12V Y24 = Yellow LED 24V W24 = White LED 24V G12 = Green LED 12V G24 = Green LED 24V | | | | | | | | |
| <i>**only available with fully transparent actuators (Section 5b)</i> | | | | | | | | |

Dimensions

Solid Actuator with Lens



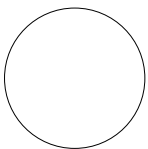
Transparent Actuator



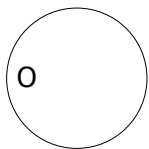
| Function | Position 1 | Position 2 |
|------------------|-------------------|-------------------|
| 1 | OFF | ON |
| Terminals | -- | 1 ~ 2 |

Actuator Marking Options

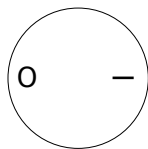
A Marking



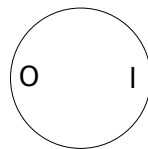
B Marking



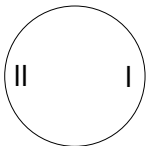
C Marking



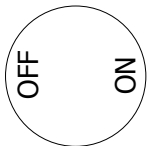
D Marking



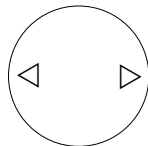
E Marking



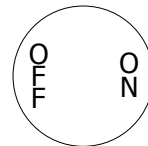
F Marking



G Marking

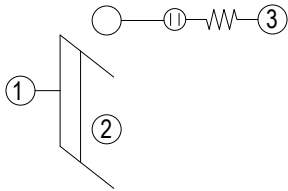


K Marking

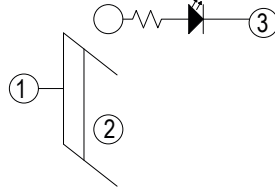


Schematics

Neon



LED with Resistor

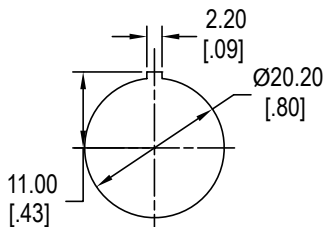


LED Characteristics

| LED Ratings | | Color | | | | | Units |
|------------------------------------|-------------|-----------|-----|-----|-----|-----|---------|
| | | R | Y | G | B | W | |
| Reverse Voltage | V_R | 5 | 5 | 5 | 5 | 5 | V |
| Forward Current (avg) | I_F | 30 | 30 | 30 | 30 | 30 | mA |
| Reverse Current $V_R = 5V$ | I_R | 10 | 10 | 10 | 10 | 10 | μA |
| Power Dissipation | P_T | 56 | 56 | 46 | 72 | 76 | mW |
| Operating & Storage Temperature | T_A | -40 ~ +85 | | | | | C° |
| Forward Voltage (min) $I_F = 20mA$ | V_F | 1.7 | 1.7 | 1.8 | 2.8 | 2.8 | V |
| Forward Voltage (max) $I_F = 20mA$ | V_F | 2.4 | 2.4 | 2.4 | 3.4 | 3.4 | V |
| Wavelength (min) $I_F = 20mA$ | λ_d | 620 | 585 | 565 | 460 | n/a | nm |
| Wavelength (max) $I_F = 20mA$ | λ_d | 630 | 595 | 575 | 470 | n/a | nm |
| Luminous Intensity, $I_F = 20mA$ | LI | 50 | 150 | 30 | 140 | 500 | mcd |
| Viewing Angle | Θ | 50 | 50 | 70 | 120 | 70 | deg |

Panel Cut Out

Panel cut out material thickness : 0.8mm ~ 3.0mm



Terminal Options

C

