

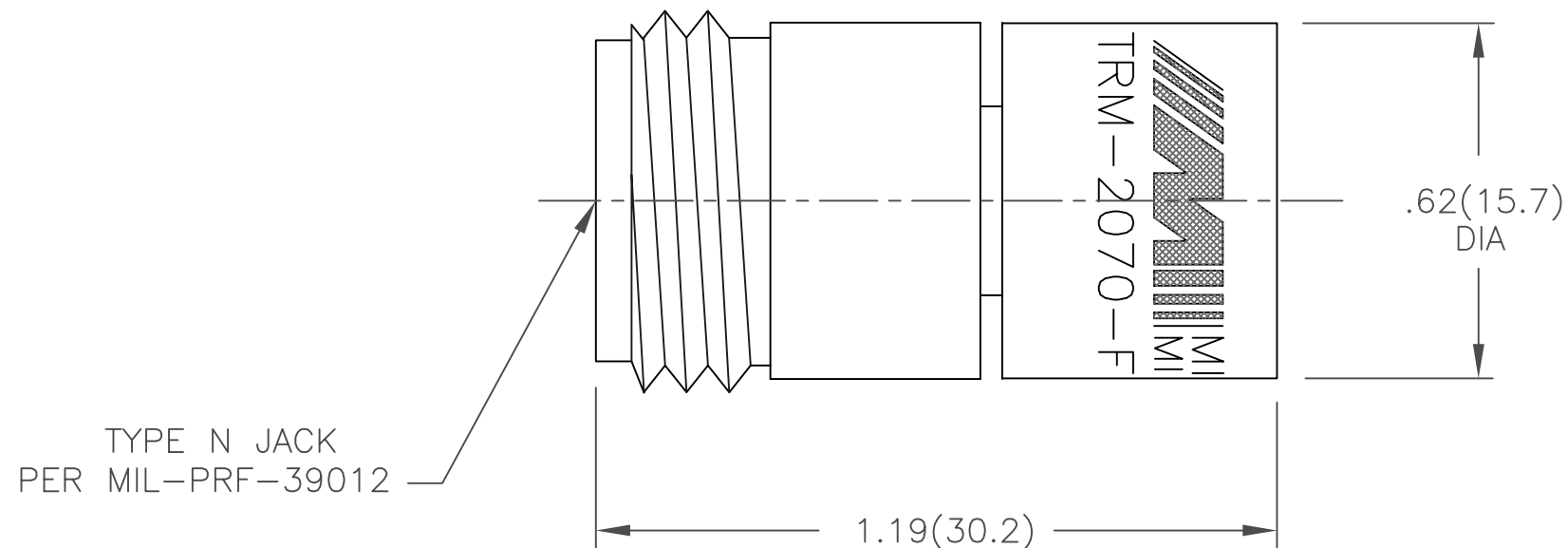
NOTES:

1.0 ELECTRICAL SPECIFICATIONS:

- 1.1 FREQUENCY RANGE: DC to 18.0 GHz
- 1.2 VSWR: 1.25:1 MAX.
- 1.3 IMPEDANCE: 50 OHMS
- 1.4 POWER: 2 WATTS AVG. AT +25°C
DERATED LINEARLY TO 0.5 WATTS AT +125°C
- 1.5 PEAK POWER: 0.25 KILOWATTS (5 MICRSECOND PULSE WIDTH).
- 1.6 OPERATING TEMP. RANGE: -54°C to +125°C

2.0 MARKING: MARK UNIT AS SHOWN
(REF.: INK-02611-27-05)

3.0 DIMENSIONS IN PARENTHESIS ARE IN
MILLIMETERS.



REV.	DESCRIPTION	DATE
-	RELEASED	5/22/89
A	ECR 6545	8/1/89
B	ECR 7129	2/23/90
C	CAD/UPDATE SPCS.& MRKING	8/4/93
C1	ADDED TITLEBLOCK	10/28/05

<p>NOTICE: The information contained in this drawing is proprietary and must not be used without the permission of Emerson Network Power.</p> <p>UNLESS OTHERWISE NOTED DIMENSIONS ARE IN INCHES AND TOLERANCES ARE: 3 PLACE DECIMALS ±.005 2 PLACE DECIMALS ±.02 FRACTIONS ±1/64 PARALLELITY: T.I.R. _____ FLATNESS: T.I.R. _____ CONCENTRICITY: T.I.R. _____ ANGLES AND PERPENDICULARITY: ±1°</p>	<p>CAGE CODE</p> <p>34078</p>	<p>MIDWEST MICROWAVE</p>	
	<p>EMERSON Network Power Connectivity Solutions</p>	<p>TITLE</p> <p>TERMINATION OUTLINE DRAWING</p>	
<p>DRAWN/DATE A.BEATTY 8/4/93</p>	<p>ENG./DATE G.KOZAK 8/5/93</p>	<p>DRAWING NUMBER</p> <p>TRM-2070-FO-NNN-07-01</p>	<p>REV.</p> <p>C1</p>
<p>CHECKED/DATE</p>	<p>APPROVED/DATE</p>	<p>SCALE: 3=1</p>	<p>SHEET 1 of 1</p>