

THE INFORMATION CONTAINED HEREIN IS CONSIDERED 'PROPRIETARY' TO BEL FUSE INC. AND SHALL NOT BE COPIED, REPRODUCED OR DISCLOSED WITHOUT THE WRITTEN APPROVAL OF BEL FUSE INC.

RoHS



LED 2 & 4 POLARITY			LED 1 & 3 POLARITY		
PIN 11	PIN 12	COLOR	PIN 13	PIN 14	COLOR
+	-	GREEN	+	-	GREEN

ELECTRICAL CHARACTERISTICS @ 25°C

URNS RATIO

TP1	1CT : 1CT	±2%
TP2	1CT : 1CT	±2%
TP3	1CT : 1CT	±2%
TP4	1CT : 1CT	±2%

□CL @ 100kHz/100mVRMS

8mA DC BIAS

350µH MIN.

INS. LOSS

0.1MHz TO 1MHz	-1.1 dB MAX
1MHz TO 65MHz	-0.5 dB MAX
65MHz TO 100MHz	-0.8 dB MAX
100MHz TO 125MHz	-1.2 dB MAX

RET. LOSS (MIN) @ 100 OHMS +/-15%

0.5MHz-40MHz	-18 dB
40MHz-100MHz	-12+20LOG(f/80MHz) dB

CM TO CM REJ

100kHz - 100MHz	-30 dB MIN
-----------------	------------

CM TO DM REJ

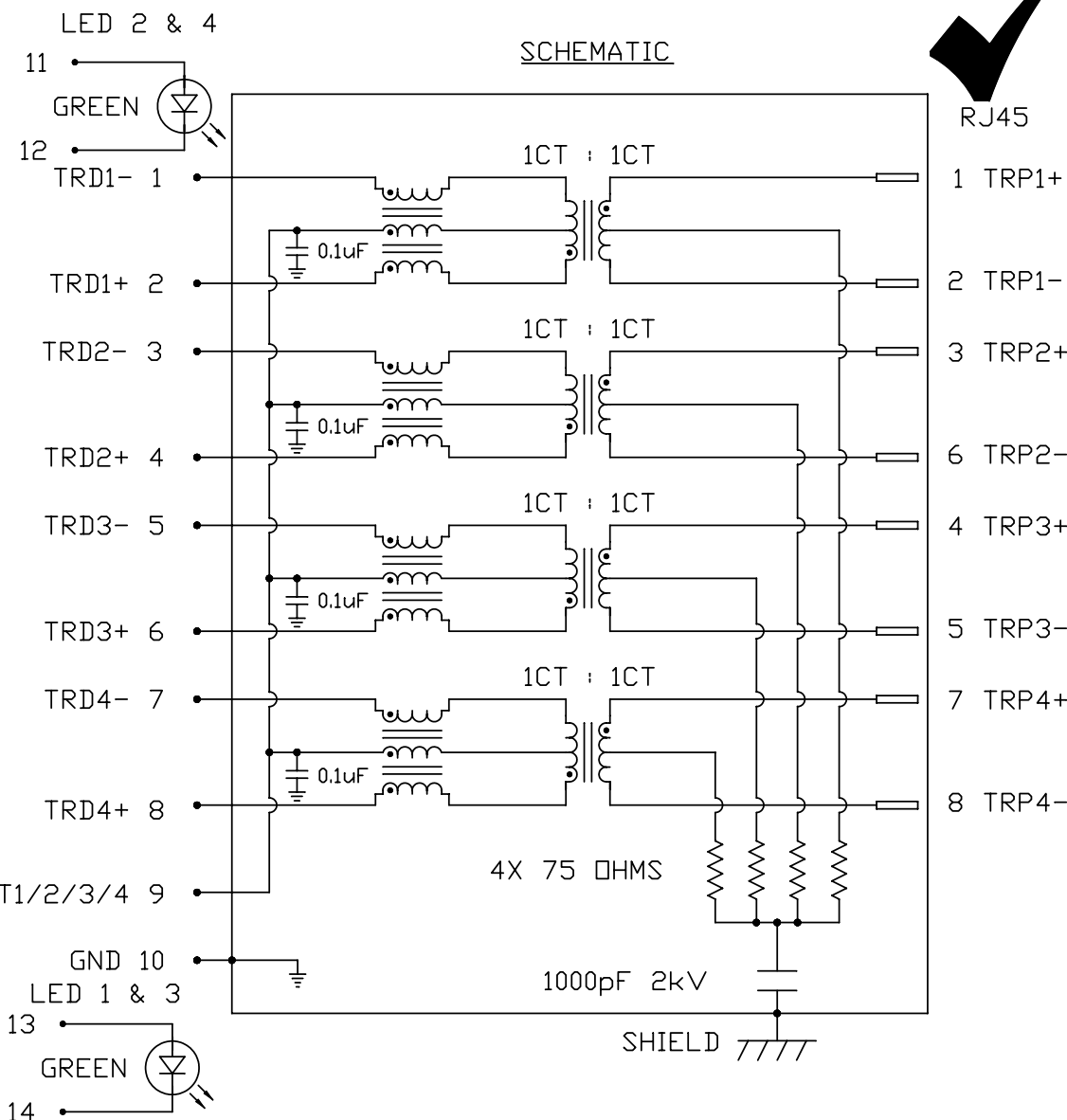
100kHz - 100MHz	-35 dB MIN
-----------------	------------

HIPOT (Isolation Voltage): 1500 Vrms

100% OF PRODUCTION TESTED TO COMPLY WITH IEEE 802.3 REQUIREMENTS

LED 1,LED 2,LED 3 & LED 4

VF (FORWARD VOLTAGE)	IF=20mA GREEN 2.2V TYP.
λD (DOMINANT WAVELENGTH)	IF=20mA GREEN 565nm TYP.



ORIGINATED BY DATE  
CHOW WANCHUNG 2012-08-29

TITLE  
2X3 gigabit MagJack®  
COMPRESSOR SERIES  
(8 Cores)  
PATENTED

PART NO. / DRAWING NO.  
C850-2G3R-54

FILE NAME  
C850-2G3R-54\_C.DWG

STANDARD DIM.  
TOL. IN INCH

.X  
.XX  
.XXX

[ ] METRIC DIM. AS REFERENCE

UNIT : INCH [mm]

SCALE : N/A

REV. : C

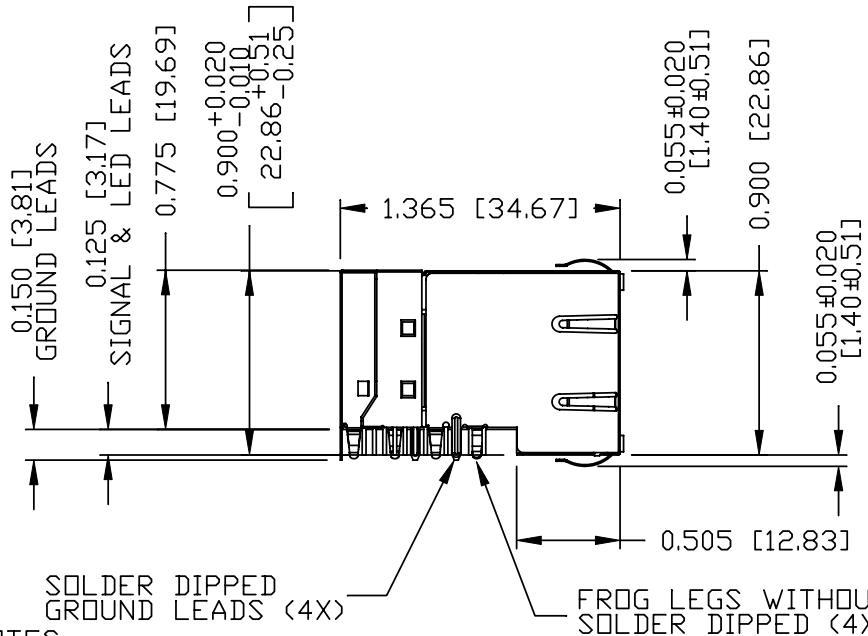
SIZE : A4

PAGE : 2



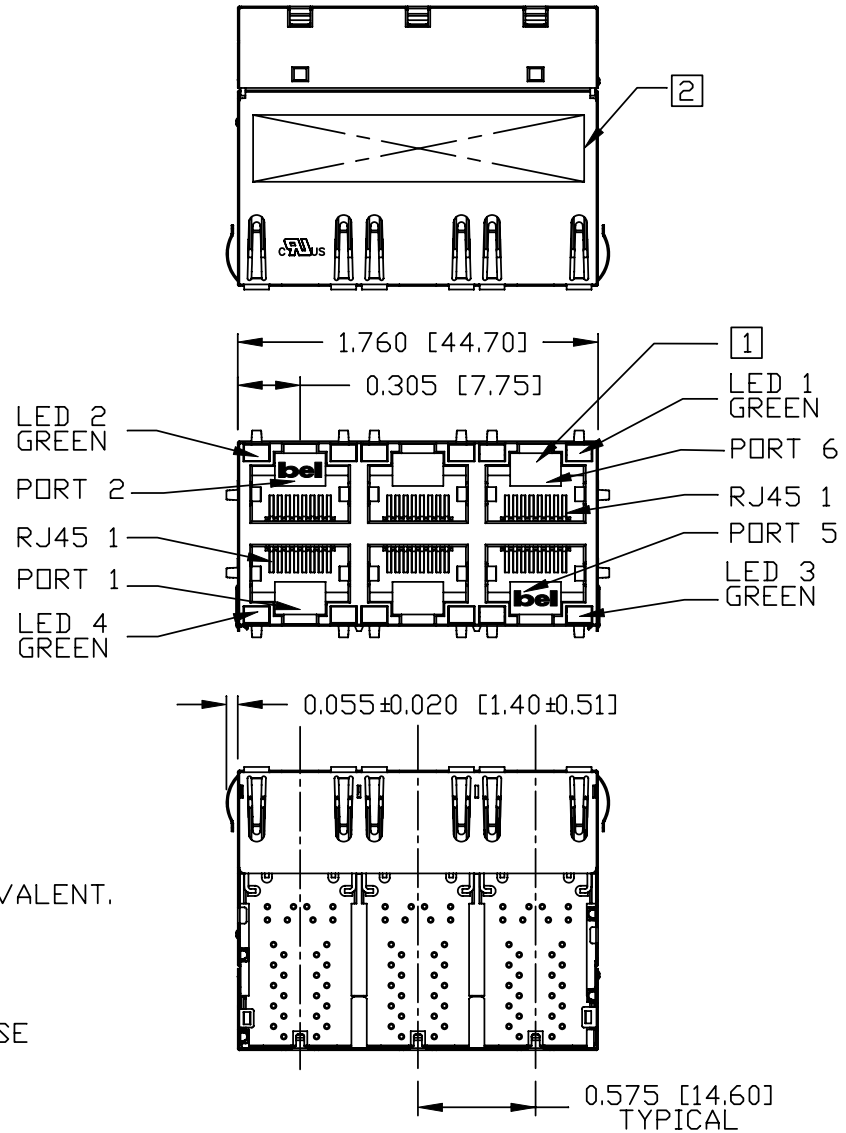
THE INFORMATION CONTAINED HEREIN IS CONSIDERED "PROPRIETARY" TO BEL FUSE INC. AND SHALL NOT BE COPIED, REPRODUCED OR DISCLOSED WITHOUT THE WRITTEN APPROVAL OF BEL FUSE INC.

RoHS



NOTES:

- 1. JACK CAVITY CONFORMS TO FCC RULES AND REGULATIONS, PART 68 SUBPART F.
  - 2. MARK PART WITH MFG LOGO, MFG NAME, PART NUMBER, DATE CODE AND PATENTED.
  - 3. THE PRODUCT IS RoHS COMPLIANT.
  - 4. THE PRODUCT IS PATENTED, THE PATENT NUMBRER ARE U.S. PAT. 5,736,910 AND U.S. PAT. 6,840,817 AND U.S. PAT. 7,123,117.
- PLASTIC HOUSING: THERMOPLASTIC PBT  
 FLAMMABILITY RATING UL 94V-0  
 CONTACT PLATING: 50 MICRO-INCH HARD GOLD PLATING OR EQUIVALENT.  
 OUTPUT PINS: TIN-COATED COPPER WIRE, DIA 0.018 INCH.  
 METAL SHIELD: NICKEL PLATED ON COPPER ALLOY.  
 (ALL GROUND LEADS ARE SOLDER DIPPED)  
 FROG LEGS ARE FOR PDB RETENTION FORCE ONLY AND NOT FOR GROUNDING PURPOSE



1. JACK CAVITY CONFORMS TO FCC RULES AND REGULATIONS, PART 68 SUBPART F.

2. MARK PART WITH MFG LOGO, MFG NAME, PART NUMBER, DATE CODE AND PATENTED.

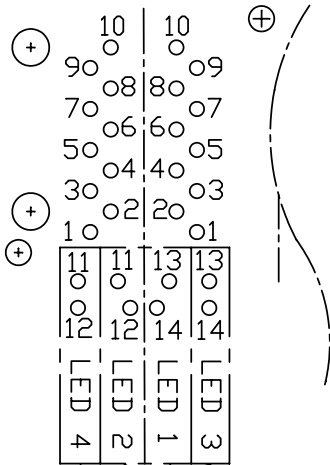
3. THE PRODUCT IS RoHS COMPLIANT.

4. THE PRODUCT IS PATENTED, THE PATENT NUMBRER ARE U.S. PAT. 5,736,910 AND U.S. PAT. 6,840,817 AND U.S. PAT. 7,123,117.

ORIGINATED BY ANTON LIAO	DATE 2012-08-29	TITLE 2X3 gigabit MagJack® COMPRESSOR SERIES (8 Cores) PATENTED	PART NO. / DRAWING NO. C850-2G3R-54		STANDARD DIM. TOL. IN INCH		[ ] METRIC DIM. AS REFERENCE		bel COMPONENTS FOR A CONNECTED PLANET
			FILE NAME C850-2G3R-54_C.DWG		.X .XX .XXX	±0.010	UNIT : INCH [mm]	REV. : C	
DRAWN BY HE ZHEN	DATE 2012-08-29						SCALE : N/A	SIZE : A4	
								PAGE : 3	

THE INFORMATION CONTAINED HEREIN IS CONSIDERED "PROPRIETARY" TO BEL FUSE INC. AND SHALL NOT BE COPIED, REPRODUCED OR DISCLOSED WITHOUT THE WRITTEN APPROVAL OF BEL FUSE INC.

RoHS

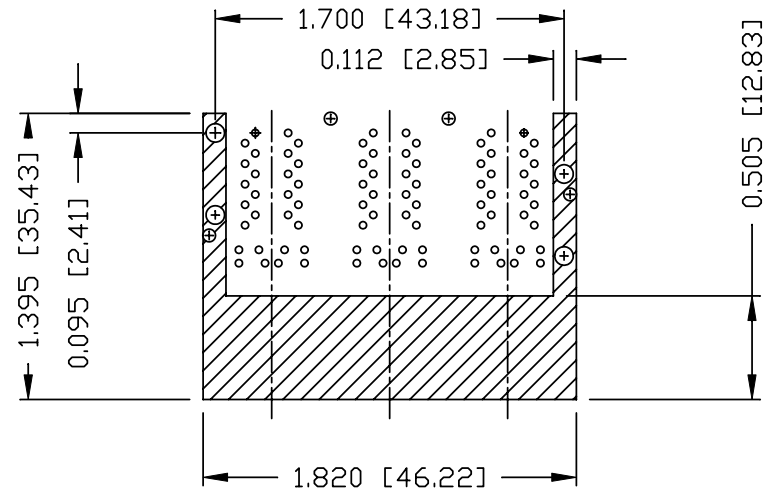
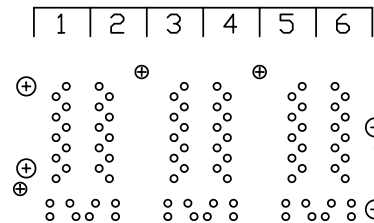


LED FOR LOWER DECK      LED FOR UPPER DECK

**PIN-OUT INFORMATION**  
(COMPONENT SIDE VIEW)

14	GREEN (-)
13	GREEN (+)
12	GREEN (-)
11	GREEN (+)
10	GND
9	TRDCT1/2/3/4
8	TRD 4+
7	TRD 4-
6	TRD 3+
5	TRD 3-
4	TRD 2+
3	TRD 2-
2	TRD 1+
1	TRD 1-

**PORT ASSIGNMENT**  
(COMPONENT SIDE VIEW)



THE SHADED AREA ON THE CUSTOMER BOARD ARE RECOMMENDED TO BE CLEAR OFF ANY VIA HOLE OR COMPONENT PAD.

<b>ORIGINATED BY</b> ANTON LIAO	<b>DATE</b> 2012-08-29
<b>DRAWN BY</b> HE ZHEN	<b>DATE</b> 2012-08-29

**TITLE**  
2X3 gigabit MagJack®  
COMPRESSOR SERIES  
(8 Cores)  
PATENTED

<b>PART NO. / DRAWING NO.</b> C850-2G3R-54
<b>FILE NAME</b> C850-2G3R-54_C.DWG

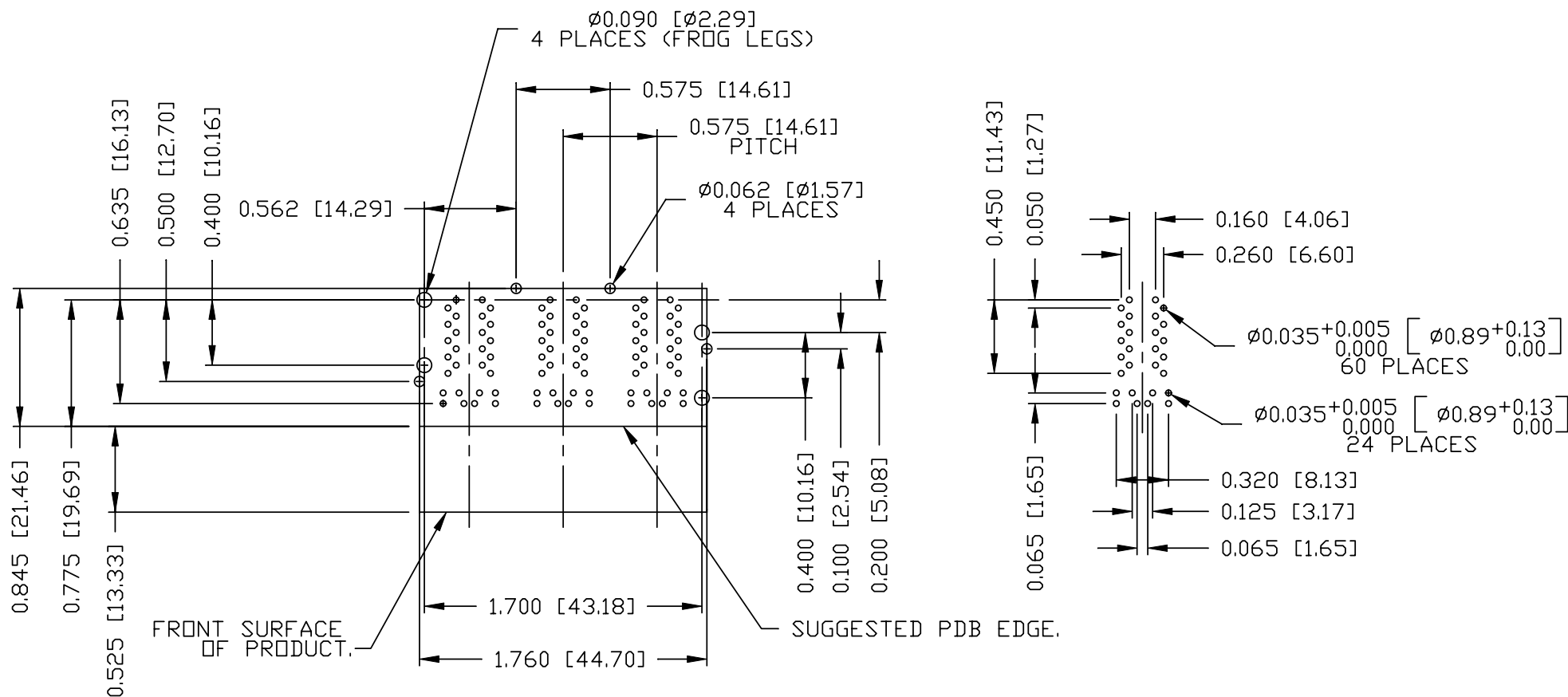
<b>STANDARD DIM.</b>	<b>TOL. IN INCH</b>
.X	/
.XX	/
.XXX	±0.004

<b>[ ] METRIC DIM. AS REFERENCE</b>	
UNIT : INCH [mm]	REV. : C
SCALE : N/A	SIZE : A4
	PAGE : 4



THE INFORMATION CONTAINED HEREIN IS CONSIDERED 'PROPRIETARY' TO BEL FUSE INC. AND SHALL NOT BE COPIED, REPRODUCED OR DISCLOSED WITHOUT THE WRITTEN APPROVAL OF BEL FUSE INC.

RoHS



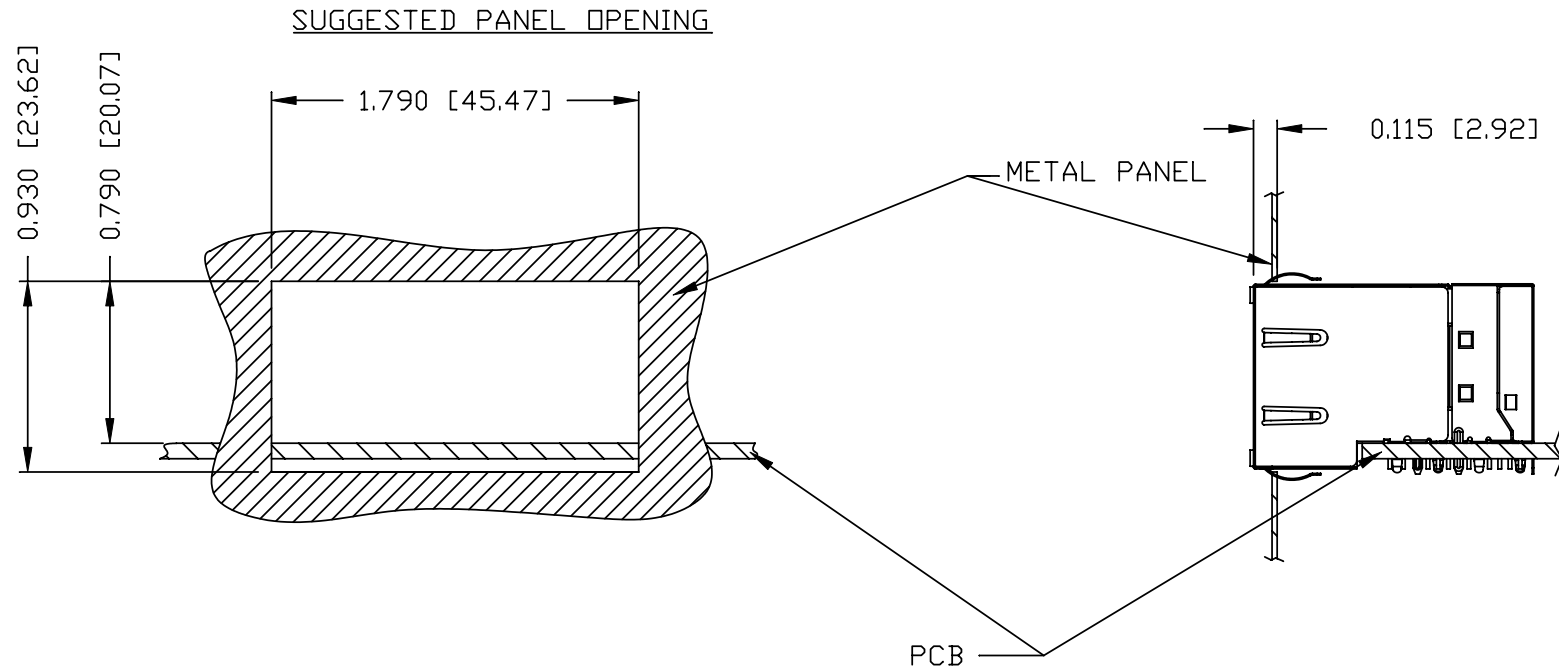
SUGGESTED FOOTPRINT  
(COMPONENT SIDE VIEW)

ORIGINATED BY ANTON LIAO	DATE 2012-08-29	TITLE 2X3 gigabit MagJack® COMPRESSOR SERIES (8 Cores) PATENTED	PART NO. / DRAWING NO. C850-2G3R-54	STANDARD DIM.		[ ] METRIC DIM. AS REFERENCE		
				TOL. IN INCH		UNIT : INCH [mm]	REV. : C	
DRAWN BY HE ZHEN	DATE 2012-08-29		FILE NAME C850-2G3R-54_C.DWG	.X	/	SCALE : N/A	SIZE : A4	
				.XX		±0.004	⊕ ---	PAGE : 5
				.XXX				



THE INFORMATION CONTAINED HEREIN IS CONSIDERED "PROPRIETARY" TO BEL FUSE INC. AND SHALL NOT BE COPIED, REPRODUCED OR DISCLOSED WITHOUT THE WRITTEN APPROVAL OF BEL FUSE INC.

RoHS



NOTE:

THE DISTANCE OF PANEL INSIDE SURFACE RELATIVE TO FRONT SURFACE OF PART IS ONLY A SUGGESTION. IN CASE THIS DISTANCE IS DIFFERENT, THE REQUIRED PANEL OPENING DIMENSIONS CHANGE ACCORDINGLY.

PACKING INFORMATION

PACKING TRAY : 0200-9999-G8 (TOP)

0200-9999-G9 (BOTTOM)

PACKING QUANTITY : 30 PDS FINISHED GOODS PER TRAY.

6 TRAYS (180 PDS FINISHED GOODS) PER CARTON BOX.

NOTE : CARDBOARDS ARE PLACED BETWEEN LAYERS OF PACKING TRAY INSIDE CARTON BOX.

(INCLUDE THE UPPERMOST AND LOWERMOST TRAY)

ORIGINATED BY ANTON LIAO	DATE 2012-08-29	TITLE 2X3 gigabit MagJack® COMPRESSOR SERIES (8 Cores) PATENTED	PART NO. / DRAWING NO. C850-2G3R-54	STANDARD DIM.		[ ] METRIC DIM. AS REFERENCE	
				TOL. IN INCH		UNIT : INCH [mm]	REV. : C
DRAWN BY HE ZHEN	DATE 2012-08-29		FILE NAME C850-2G3R-54_C.DWG	.X	/	SCALE : N/A	SIZE : A4
				.XX		±0.004	⊕
				.XXX			

