

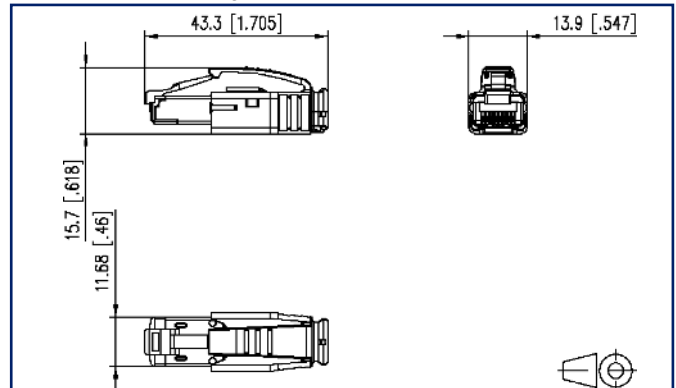
## Data sheet

### E-DAT Industry RJ45 plug black Cat.6 Class E<sub>A</sub>

## Illustrations



Dimensional drawing



See enlarged drawings at the end of document

## Product specification

- multi-port Cat.6 class E<sub>A</sub> plug
- compliance with class E<sub>A</sub> according to ISO/IEC 11801, DIN EN 50173-1
- suitable for 10 GBit Ethernet (IEEE 802.3an), Remote Powering (PoE, PoE plus and UPoE) and HDBaseT
- AWG 27/7 - 24/7 and AWG 26/1 - 24/1 connection possible
- solid copper wire diameter from 0.36 to 0.51 mm
- stranded copper wire diameter from 0.46 to 0.61 mm
- conductor diameter from 0.85 to 1.05 mm
- cable jacket up to 7.3 mm can be connected
- connection of crimp contacts and shield in one step using crimping tool
- variants with and without bend protection
- colored bend protection optionally available
- trumpet-shaped bending protection of the connection cable
- can be used as test plug on IP67 protected jacks of variants 1, 4, 5, 6 and 14
- not supplied in partial quantities
- variants: with bend protection / PU: 10 pcs, without bend protection / PU: 100 pcs



### Technical Data

#### General Data

Fields of application	Industrial Ethernet
Mechanical measurement according to MICE	M1
Ingress measurement according to MICE	I1
Climatic measurement according to MICE	C1
Electromagnetic measurement according to MICE	E2
Design	plug
Shielding	shielded
Transmission technology	Copper
Color	black
Dimensions	
Dimension (L x W x H)	43.3 mm x 13.9 mm x 15.7 mm
Dimension (L x W x H)	1.705 in. x 0.547 in. x 0.618 in.
Multi-port capability	yes
Marking option	by cable boot

#### Transmission characteristics

Category (ISO)	6
Class (ISO/IEC)	E <sub>A</sub>
Category (TIA)	6
Remote Powering	yes
PoE	IEEE 802.3af
PoE plus	IEEE 802.3at
UPoE	yes
HDBaseT	yes
Transmission rate up to 10 GBit	IEEE 802.3an

#### Connections/interfaces

Connector technology interface 1	IDC-connection
Connector technology interface 2	RJ45 plug
Number of ports interface 2	1
Number of ports interface 2 equipped	1
Number of positions/contacts interface 1	8
Number of positions/contacts interface 2	8P/8C

### Technical Data

#### Connections/interfaces

Termination data, solid wire (min. - max.)

Conductor cross section, solid wire	AWG 26/1 - AWG 24/1
Conductor cross section, solid wire	0.128 mm <sup>2</sup> - 0.205 mm <sup>2</sup>
Conductor diameter, solid wire (bare copper)	0.409 mm - 0.511 mm
Conductor diameter, solid wire (bare copper)	0.016 in. - 0.02 in.

Termination data, stranded wire (min. - max.)

Conductor cross section, stranded wire	AWG 27/7 - AWG 24/7
Conductor cross section, stranded wire	0.111 mm <sup>2</sup> - 0.227 mm <sup>2</sup>
Conductor diameter, stranded wire (bare copper)	0.457 mm - 0.61 mm
Conductor diameter, stranded wire (bare copper)	0.018 in. - 0.024 in.

Aderdurchmesser (min.-max.)

Core diameter (conductor with insulation)	0.85 mm - 1.05 mm
Core diameter (conductor with insulation)	0.033 in. - 0.041 in.

Cable sheath diameter (min. - max.)

Cable sheath diameter	5.5 mm - 7.30
Cable sheath diameter	0.197 in. - 0.287

Cable access/outlet 180°

#### Electrical characteristics

Current carrying capacity	max. 1 A
Contact resistance	max. 20 mOhm
Insulation resistance	min. 500 MOhm
Dielectric strength conductor-conductor (secondary)	min. 1000 V DC
Dielectric strength conductor-shield	min. 1500 V DC

#### Mechanical data

Mounting method	snap-in function
Insertion and withdrawal force	max. 30 N
Life - Number of mating cycles	min. 750
Position/mounting of latch standard installation position	top

# P | Cabling

## Data sheet

Page 4/8

### E-DAT Industry RJ45 plug black Cat.6 Class E<sub>A</sub>

P/N

1401505012-E

EAN 4250184113799

2023/04/05

Version: AG

## Technical Data

### Materials and material properties

Material - Housing	PC UL94 V0
Material - Contact	PhBr (phosphor bronze)
Material - Contact finish	Ni + Au (nickel-gold)
Material - Shield	CuZnPb (brass)
Material - Shield finish	Ni (nickel)
Material - Stuffer cap	PC UL94 V0
Material - Cable boot	PC UL94-V0
Material - Latch	Plastics
Halogen free	yes
RoHS	compliant

### Environmental conditions

Temperature (min. - max.)	
Temperature - Storage °C	-40 °C - 70 °C
Temperature - Storage °F	-40 °F - 158 °F
Temperature - Operating °C	-40 °C - 70 °C
Temperature - Operating °F	-40 °F - 158 °F
Particulate ingress	IP2X
Liquid ingress/immersion	IPX0

### Approvals

UL listed (file no.)



DUXR.E178484

### Standards/Regulations

Generic cabling systems	
General requirements	ANSI/TIA-568-C
Office buildings	ISO/IEC 11801 Ed.2.2: 2011-06   DIN EN 50173-2 ANSI/TIA-568-C
Industrial area	ISO/IEC 24702   DIN EN 50173-3 ANSI/TIA-1005
Living units	ISO/IEC 15018   DIN EN 50173-4 ANSI/TIA-570-B

# P | Cabling

Data sheet

Page 5/8

## E-DAT Industry RJ45 plug black Cat.6 Class E<sub>A</sub>

P/N

1401505012-E

EAN 4250184113799

2023/04/05

Version: AG

### Technical Data

#### Standards/Regulations

Application-specific communications cabling systems

UL standard for Communications-Circuit Accessories      UL 1863

Connectors for electronic equipment

Free and fixed connectors      DIN EN 60603-7-51:2011-01

Interference proof

Immunity for industrial environments      DIN EN 61000-6-2:2006-03

Emission proof

Electromagnetic emission for residential, commercial and light-industrial environments      DIN EN 61000-6-3:2011-09

#### Classifications

ETIM 5.0      EC001121

ETIM 6.0      EC001121

ETIM 7.0      EC001121

ETIM 8.0      EC001121

ETIM 9.0      EC001121

#### Packing details

Type of packaging      10 pc(s) / box

Packaging unit - Weight (gram)      40 g

Packaging unit - Weight (pound)      0.09 lb

Packaging dimension      250 mm x 105 mm x 89 mm

Packaging dimension      9.843 in. x 4.134 in. x 3.504 in.

## Accessories

P/N	Designation
130907-E	Crimp pliers for E-DAT Industry IP20 RJ45 plug
1401008201-E	E-DAT Industry IP20 bend protection, orange
1401008202-E	E-DAT Industry IP20 bend protection, black
1401008203-E	E-DAT Industry IP20 bend protection, light gray
1401008204-E	E-DAT Industry IP20 bend protection, white
1401008205-E	E-DAT Industry IP20 bend protection, yellow
1401008206-E	E-DAT Industry IP20 bend protection, blue
1401008207-E	E-DAT Industry IP20 bend protection, green



# P | Cabling

Data sheet

Page 7/8

## E-DAT Industry RJ45 plug black Cat.6 Class E<sub>A</sub>

P/N

1401505012-E

EAN 4250184113799

2023/04/05

Version: AG

### Accessories from

P/N	Designation
14040000-E	MCO IP69k protective housing for outdoor use, set for exposed installation
14040010-E	MCO IP69k Protective housing for outdoor use, set with mounting bracket
14040100-E	MCO IP69k Protective housing for outdoor use, set wall/ housing bushing



# P | Cabling

Data sheet

Page 8/8

**E-DAT Industry RJ45 plug black Cat.6 Class E<sub>A</sub>**

P/N

1401505012-E

EAN 4250184113799

2023/04/05

Version: AG

## Illustrations

Dimensional drawing

