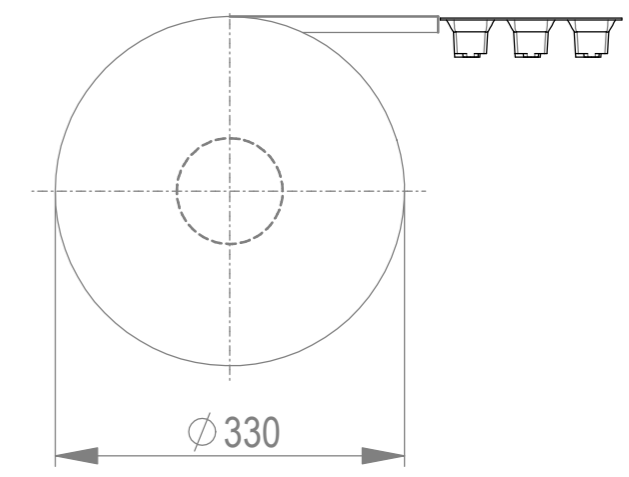
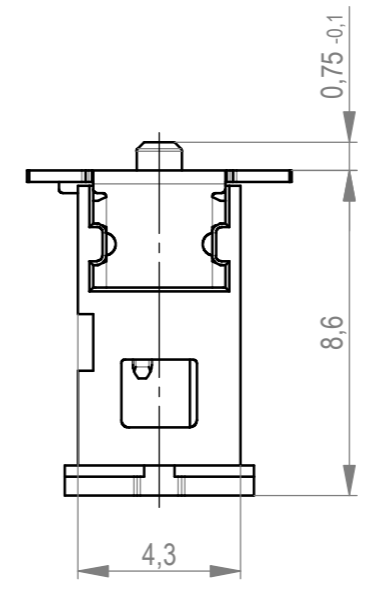
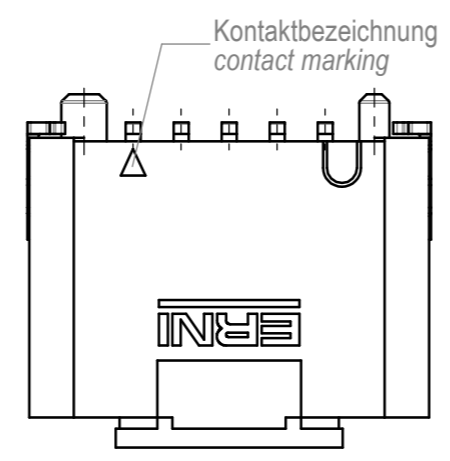
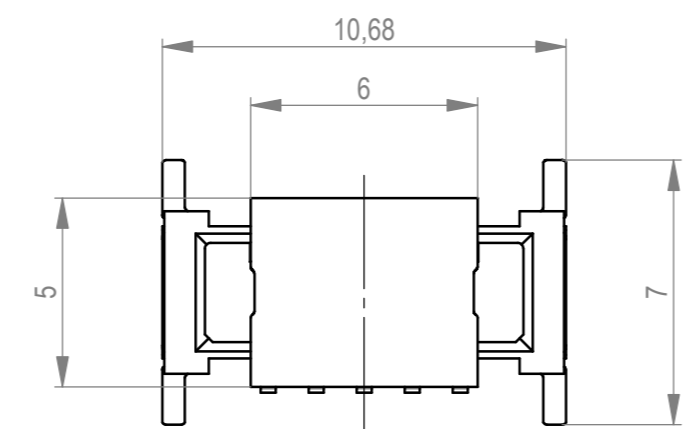
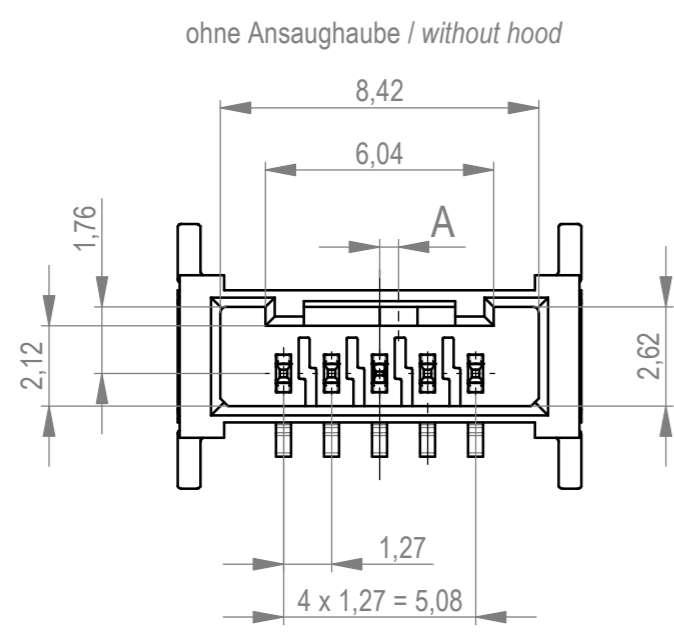
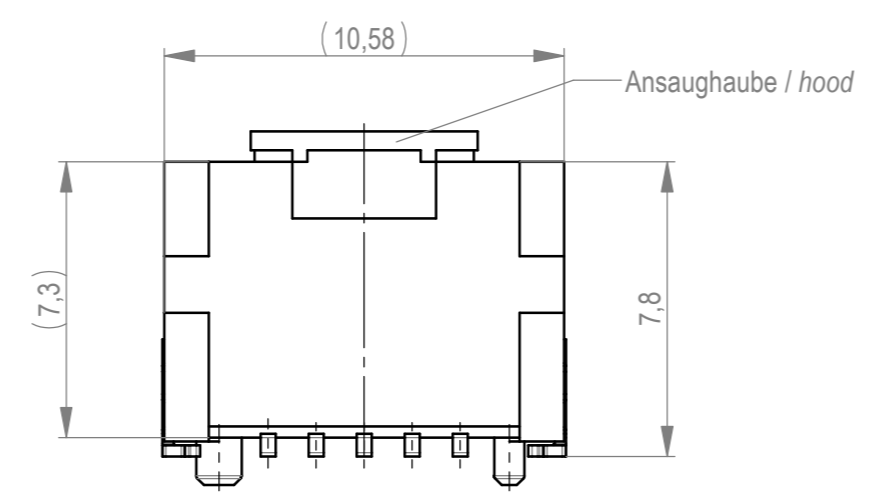
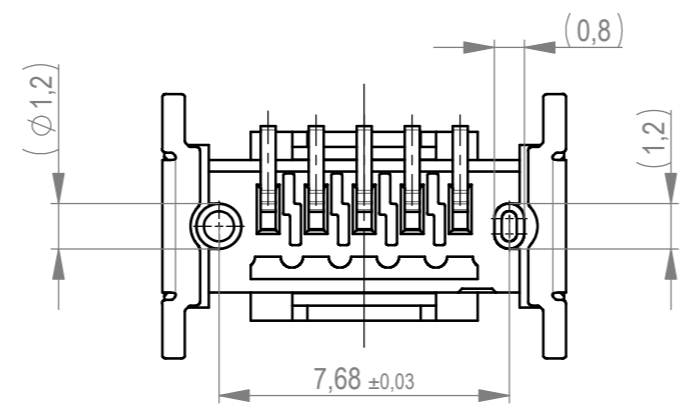
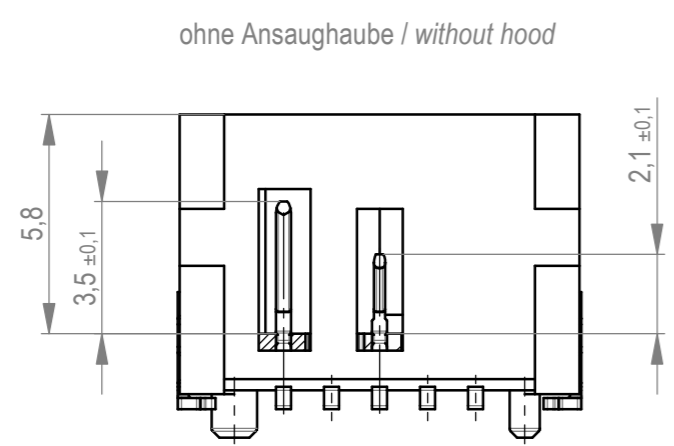
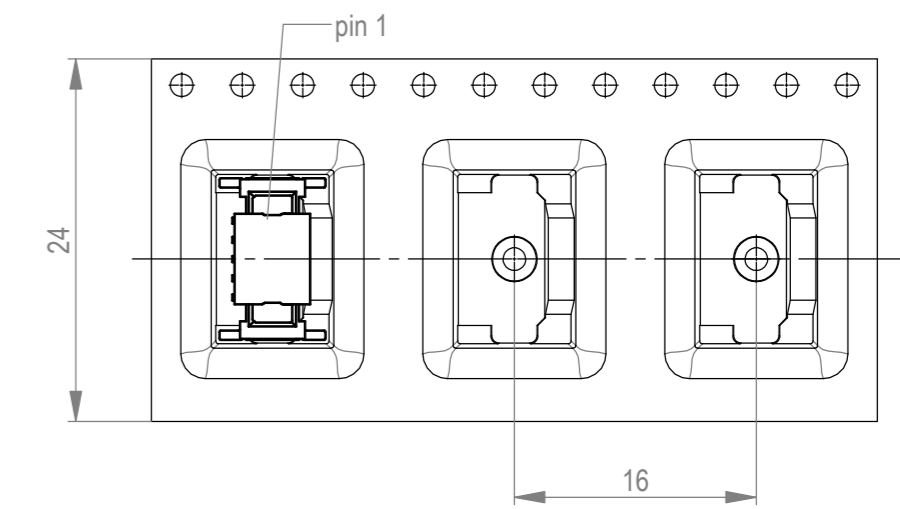


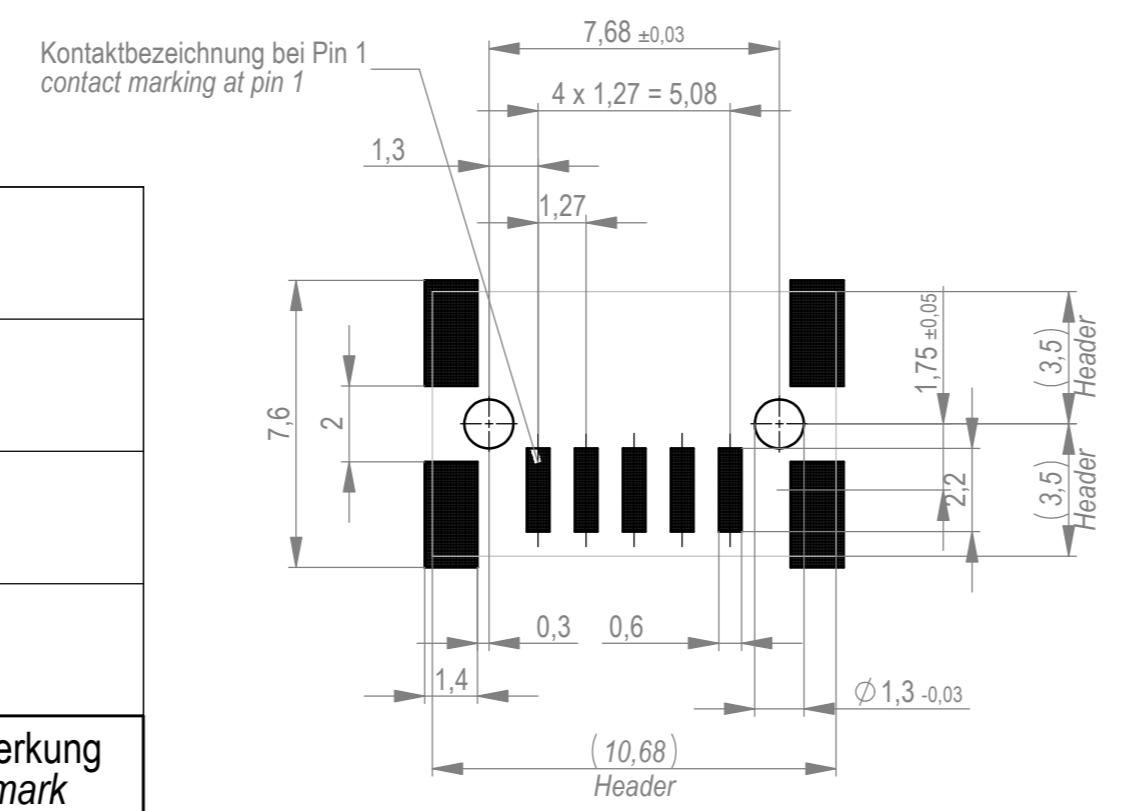
Verpackt im Gurt in Anlehnung an DIN IEC 60286-3
 tape on reel packaging according to DIN IEC 60286-3
 Verpackungseinheit: 440 Stück
 packaging unit: 440 pcs



Abspulrichtung - Reel off direction



Layoutvorschlag
 recommended layout



Anforderungsstufe 1
 performance level 1

Kontaktbereich vergoldet
 mating area gold plating

Anschlussbereich verzinkt 4-6 µm
 terminal area 4-6 µm tin plating

Koplanarität der Anschlüsse ≤ 0,1 mm
 coplanarity area of termination ≤ 0,1 mm

515439		rot red	1,5	
515438		grün green	1,5	
515437		blau blue	0,5	
515436		schwarz black	0,5	
Ident-Nr. part-no.	Codierung coding	Farbe colour	A	Bemerkung remark

Dimension no.	Tolerances ISO 2768-FH ISO 8015	All Dimensions in mm	Scale 5:1 Material
Customer drawing: All rights reserved. Only for information. To ensure that this is the latest version of this drawing, please contact one of the ERNI companies before using.	Subject to modification without prior notice. Drawing will not be updated.		MicroBridge Male Straight SMT 05-pin CPA Pin Pos. 3
c Index	14.09.2020 Date	ERNI International AG Zürichstrasse 72 8306 Brüttisellen - Zürich Switzerland	515435 I A2 Class MCBP

Die deutsche Version dieser Zeichnung dient nur zur Erläuterung der Handlung. Bei Abweichungen vom englischen Original gilt das englische Original. This drawing has been created for convenience only and may deviate from the original. In case of any deviation the English version shall prevail. In case of any deviation the English version shall prevail.