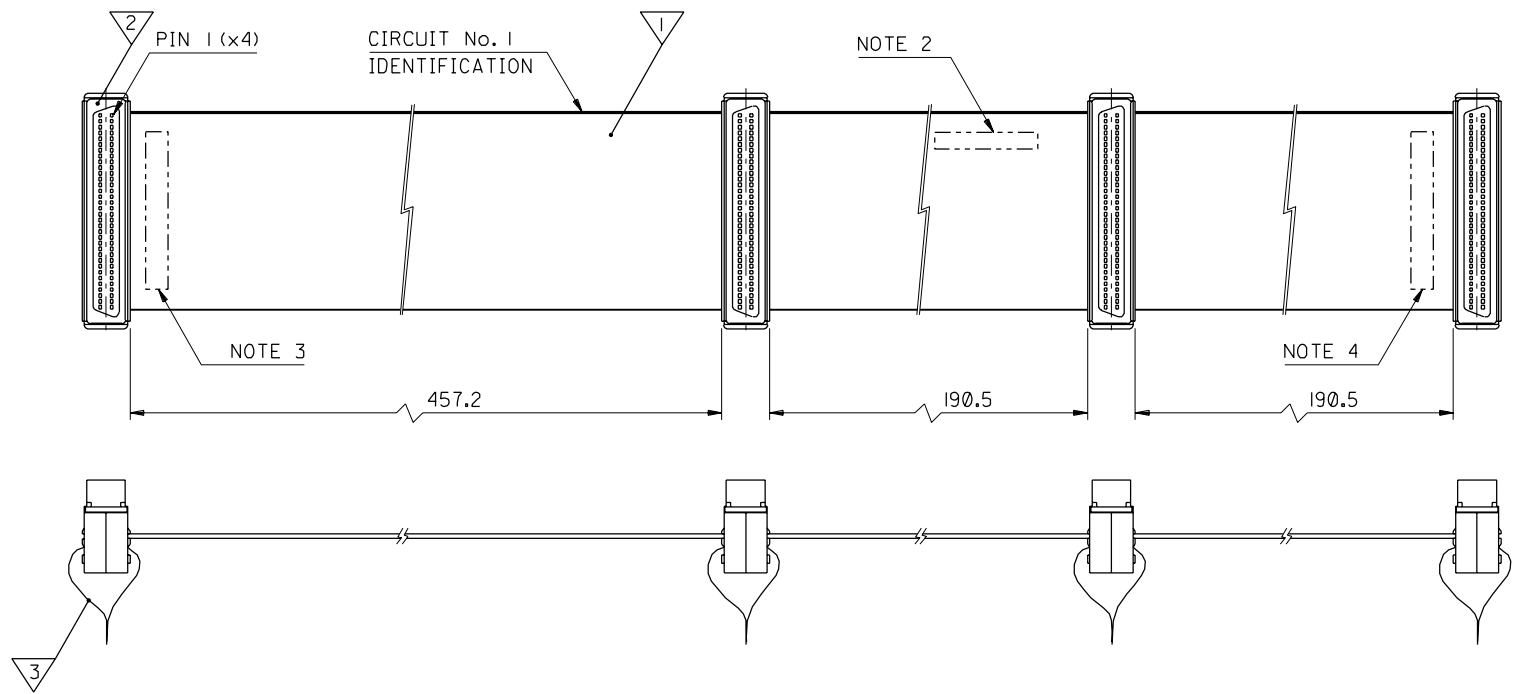


PART NO. 92303-0005
 DWG. NO. SDA-92303-0005



ITEM	COMPONENT	SUPPLIER	DESCRIPTION	QUANTITY	NOTE
1	191-3005-068	AMPHENOL	68 CCT RIBBON CABLE 30 AWG	880mm	2,3,4
2	70498-5068	MOLEX	SCSI 68 CCT CONNECTOR WITH STRAIN RELIEF	4	1,5
3		MOLEX	PULL TAB PULL TAB PULL TAB 34	4	4

- NOTES:
- SEE PRODUCT SPECIFICATION PSX9058
 - PRINT DELL P/N AND REVISION "84545-A00" APPROXIMATELY WHERE SHOWN. TEXT HEIGHT 3.2
 - PRINT "CNTL" APPROXIMATELY WHERE SHOWN. TEXT HEIGHT 3.2
 - PRINT "DRIVE" APPROXIMATELY WHERE SHOWN. TEXT HEIGHT 3.2
 - HARNESS TO BE 100% ELECTRICALLY TESTED

CHNAGE IN P/N EC NO. 2000-0197 DRWN:DMCN 99/09/10 CHK: / / / APPR: / / / AI	QUALITY SYMBOLS MAJOR = CRITICAL = C =	GENERAL TOLERANCES: (UNLESS SPECIFIED) mm INCH 4 PLACES ±0. ±. 3 PLACES ±0. ±. 2 PLACES ±0. ±. 1 PLACE ±0. ±. ANGULAR: ± 1/2°	SCALE 1:1 DESIGN UNITS <input checked="" type="checkbox"/> mm <input type="checkbox"/> INCH DRAWN BY & DATE DAB 96/12/20 CHECKED BY & DATE BENRIGHT 99/09/13 APPROVED BY & DATE JHORGAN 99/09/13 CAD FILENAME	DIMENSIONS: <input type="checkbox"/> mm <input type="checkbox"/> INCH <input checked="" type="checkbox"/> mm ONLY THIRD ANGLE PROJECTION TITLE: 68CCT RIBBON CABLE MOLEX INCORPORATED MATERIAL NO. 92303-0005 DRAWING NO. SDA-92303-0005	SHT REV REVISE ON CAD ONLY SHEET NO. 1 OF 1
	DRAFT WHERE APPLICABLE MUST REMAIN WITHIN DIMENSIONS	THIS DRAWING CONTAINS INFORMATION THAT IS PROPRIETARY TO MOLEX INCORPORATED AND SHOULD NOT BE USED WITHOUT WRITTEN PERMISSION.		SIZE B	