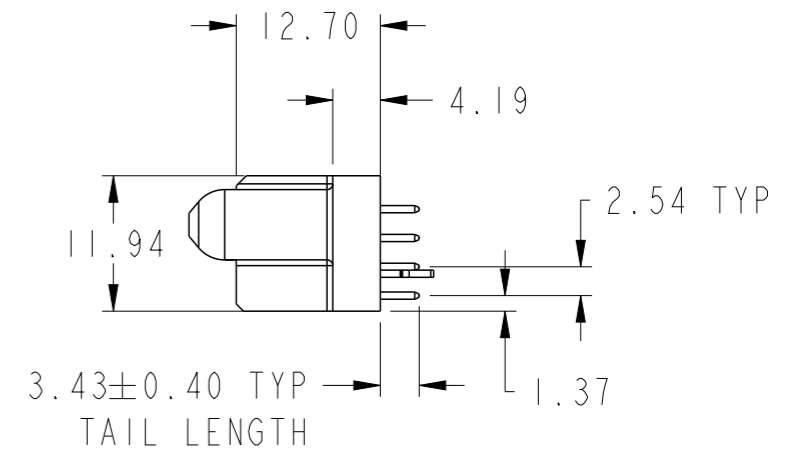
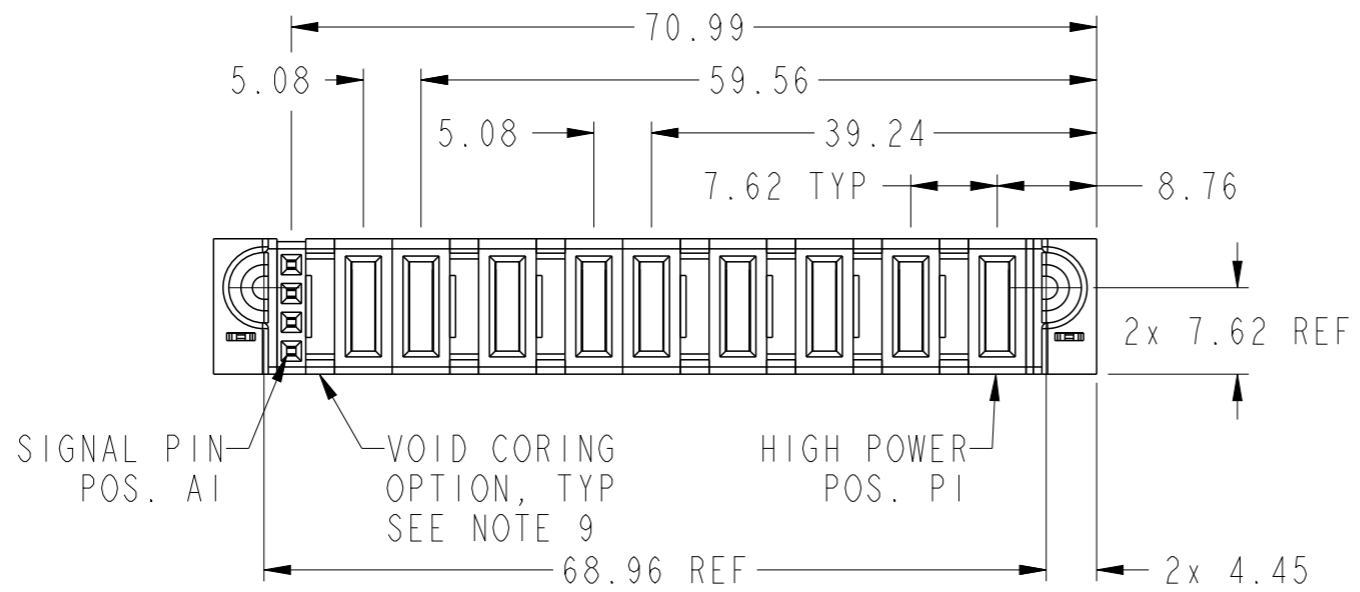
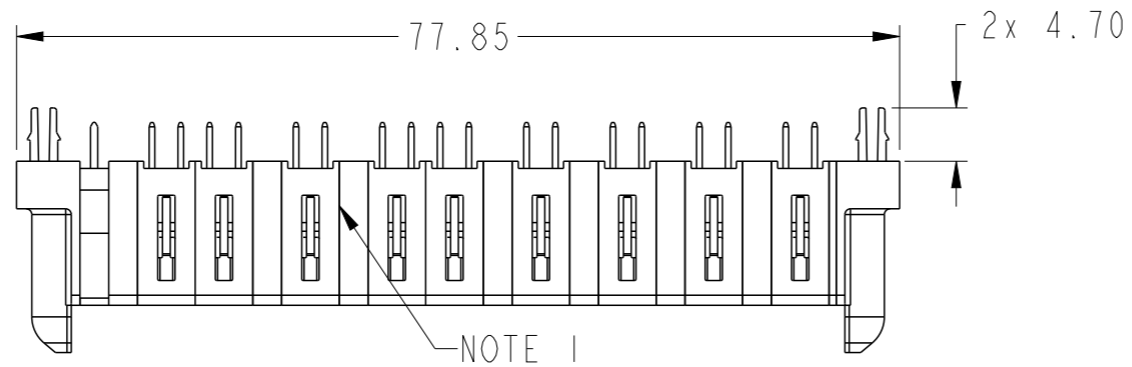
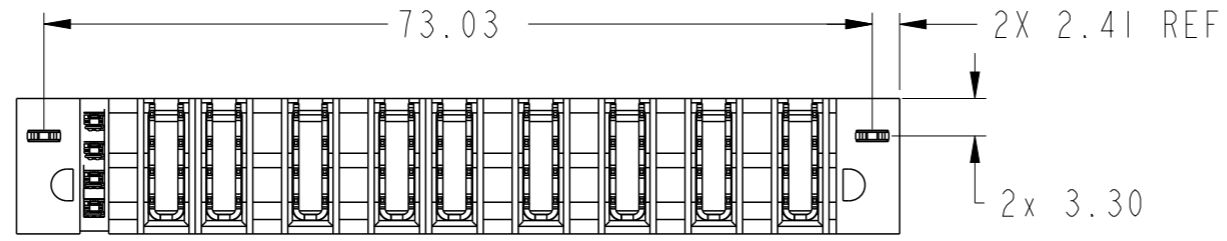


PRODUCT NUMBER SEE SHEET 2



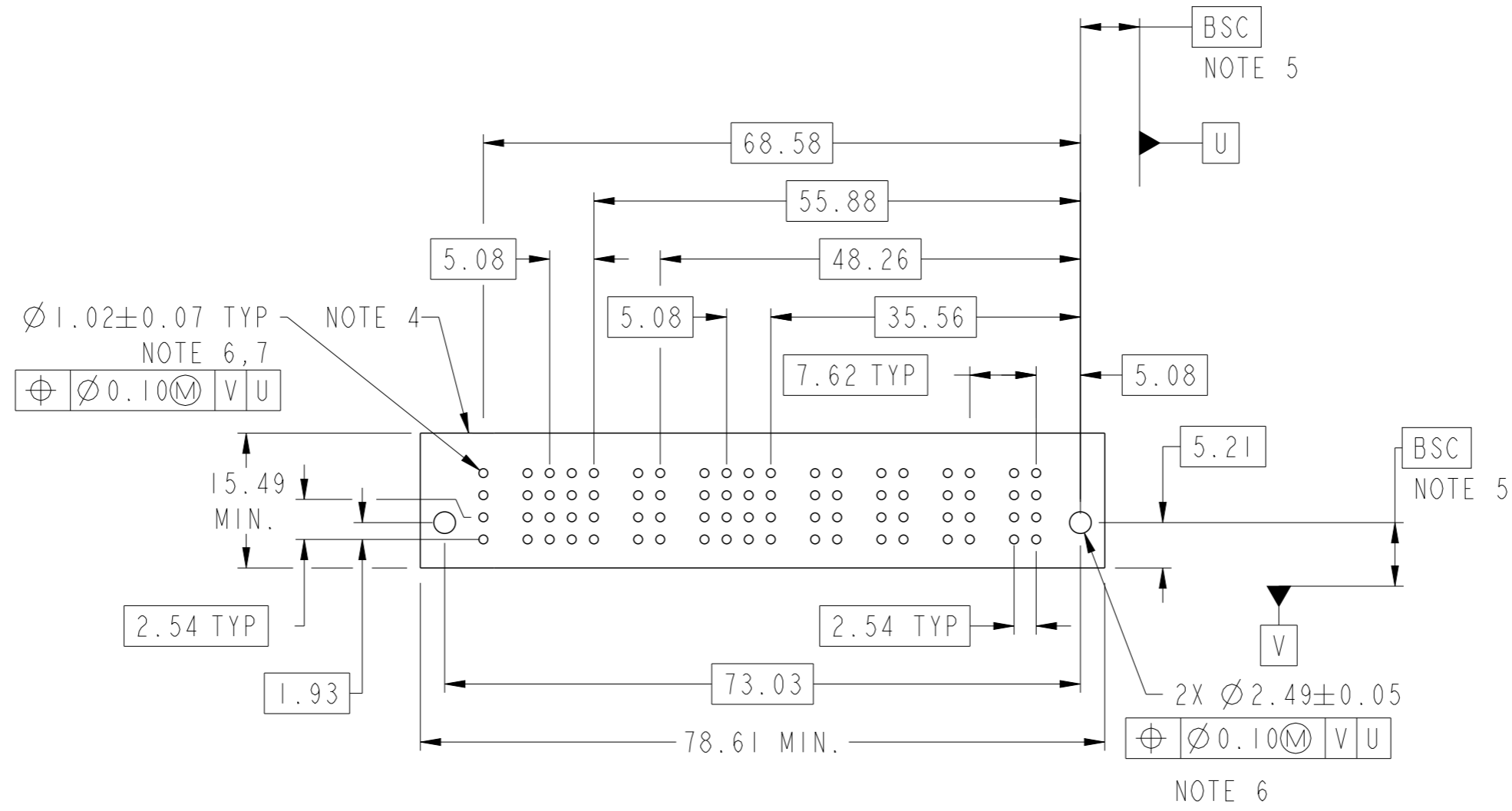
Amphenol FCI

© 2016 AFCI

spec ref		dr	Rainbow Zhan	2016/06/20	projection 	MM ←→	size	A3	scale	3:2
tolerance std ASME Y14.5		eng	Rainbow Zhan	2016/06/28			ecn no	-		
TOLERANCES UNLESS OTHERWISE SPECIFIED		chr	Fancy Zhang	2016/06/28			rel level	Released		
		appr	Pei-Ming Zheng	2016/06/28	product family	PowerBlade+				
surface	linear	0.X	±0.50	Amphenol FCI www.fci.com	9HP + 4S VT STB RECEPTACLE	cat. no.	Product - Customer Drw	sheet 1 of 3	rev A	
		0.XX	±0.25							
		0.XXX	±0.10							
ASME Y14.5	angular	0°	±2°							

PRODUCT NO.	ROWS	HIGH POWER												
		E1	1	P9	P8	P7	P6	P5	P4	P3	P2	P1	E2	
10106268-9001001LF	DCBA													

CODE	DESCRIPTION
E	STD SIGNAL CONTACT
H3	STD HIGH POWER CONTACT (3.43)
HA	METAL HOLD DOWN



Amphenol
FCi

© 2016 AFCI

spec ref	dr	2016/06/20	projection	MM	size	A3	scale	3:2										
tolerance std	eng	2016/06/28		← →	ecn no	-	rel level	Released										
ASME Y14.5	chr	2016/06/28							TOLERANCES UNLESS OTHERWISE SPECIFIED									
surface	appr	2016/06/28	product family	PowerBlade+	dwg no	10106268-9001001	rev	A										
ASME Y14.5	<table border="1"> <tr> <td>linear</td> <td>0.X</td> <td>±0.50</td> </tr> <tr> <td></td> <td>0.XX</td> <td>±0.25</td> </tr> <tr> <td></td> <td>0.XXX</td> <td>±0.10</td> </tr> <tr> <td>angular</td> <td>0°</td> <td>±2°</td> </tr> </table>		linear	0.X	±0.50		0.XX	±0.25		0.XXX	±0.10	angular	0°	±2°	Amphenol FCI www.fci.com 9HP + 4S VT STB RECEPTACLE	cat. no.	Product - Customer Drw	sheet 2 of 3
linear	0.X	±0.50																
	0.XX	±0.25																
	0.XXX	±0.10																
angular	0°	±2°																

A

A

NOTES:

- 1) "FCI", PART NUMBER AND DATE CODE TO BE MARKED ON THIS SURFACE.
THE MARK CAN BE OMITTED IF THERE IS NOT ENOUGH SPACE ON THIS SURFACE.
- 2) MATERIALS:
-HOUSING - GLASS FILLED WITH HIGH TEMP THERMOPLASTIC, UL94V-0.
-SIGNAL CONTACT - COPPER ALLOY.
-POWER CONTACT - HIGH CONDUCTIVITY COPPER ALLOY.
- 3) PLATING SPECIFICATION REFER TO FCI 10116351
- 4) DENOTES CONNECTOR KEEP OUT ZONE.
- 5) DATUM AND BASIC DIMENIONS WERE ESTABLISHED BY CUSTOMER.
- 6) ALL HOLE DIAMETERS ARE FINISHED HOLE SIZES.
- 7) 1.15 ± 0.025MM DRILLED HOLE PLATED WITH 0.00762MM MIN Sn
OVER 0.0254-0.0762MM Cu PLATING TO ACHIEVE A 1.02 ± 0.07MM HOLE.
- 8) PRODUCT SPECIFICATION REFER TO FCI GS-12-658.
APPLICATION SPECIFICATION REFER TO FCI GS-20-141.
PRODUCT PACKAGED IN TRAYS, REFER TO FCI GS-14-1502.
- 9) THE VOID CORING IN BETWEEN POWER MODULES, SIGNAL
MODULES AND END MODULES ARE OPTIONAL AND THE SHAPE
MAY BE DIFFERENT FOR OPTIMIZE THE MOLDING PROCESS. THE
VOID CORING WILL NOT EFFECT TO PRODUCT FUNCTION.

B

B

C

C

D

D

Amphenol
FCi

© 2016 AFCI

spec ref		dr	Rainbow Zhan	2016/06/20	projection	MM	size	A3	scale	1:1	
tolerance std		eng	Rainbow Zhan	2016/06/28		← →	ecn no		-		
ASME Y14.5		chr	Fancy Zhang	2016/06/28			rel level		Released		
TOLERANCES UNLESS OTHERWISE SPECIFIED		appr	Pei-Ming Zheng	2016/06/28	product family		PowerBlade+				
surface	linear	0.X	±0.50		Amphenol FCi	9HP + 4S		dwg no	10106268-9001001		
		0.XX	±0.25			VT STB RECEPTACLE			rev	A	
		0.XXX	±0.10			www.fci.com					
ASME Y14.5	angular	0°	±2°		cat. no.	Product - Customer Drw		sheet 3 of 3			