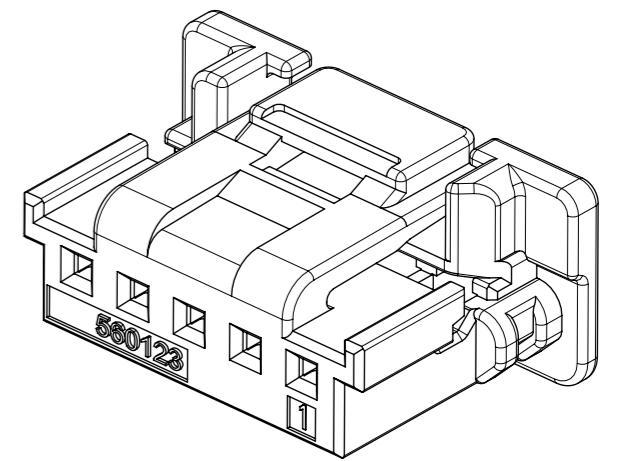
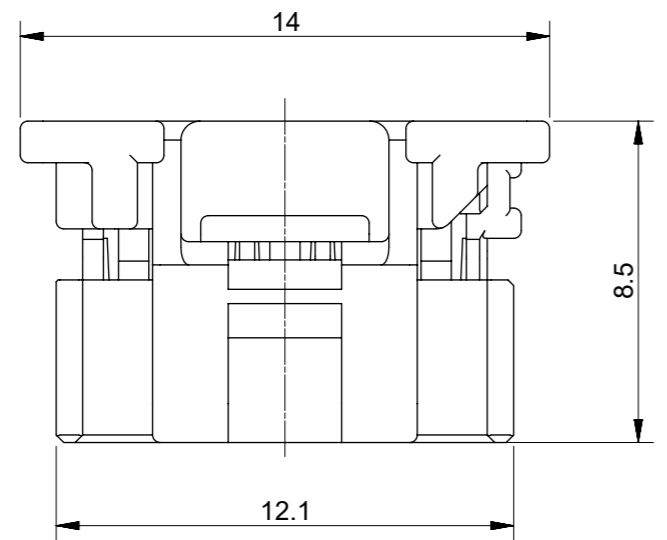
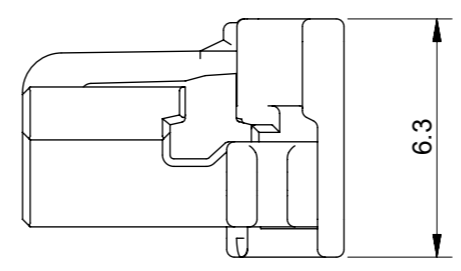
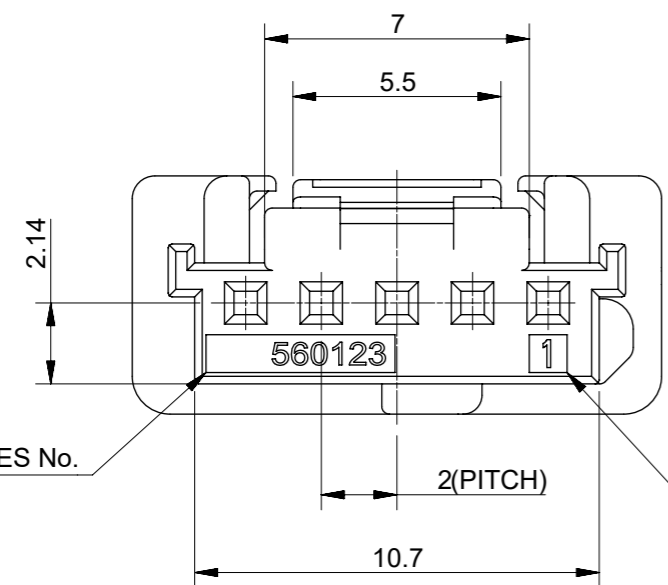


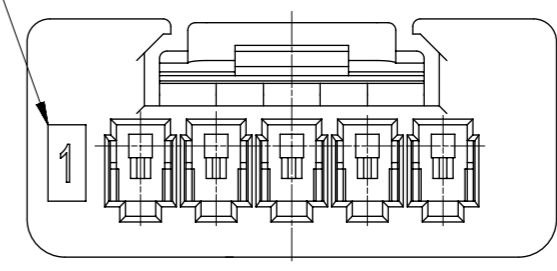
GENERAL TOLERANCE										USED ON
10 MAX	30 MAX	50 MAX	70 MAX	100 MAX	120 MAX	250 MAX	250 OVER	ANGLE	ECCENT	
±0.15	±0.20	±0.30	±0.40	±0.50	±0.75	±0.90	±1.4	±0.5°	0.1	



ISO VIEW



CIRCUIT No.

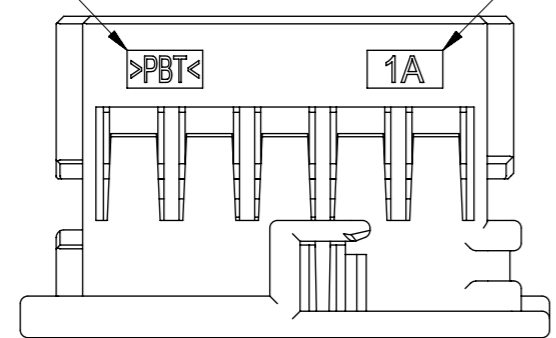


SERIES No.

CIRCUIT No.

MATERIAL

DIE No.
CAV. No.



MATERIAL NUMBER

ORDER NO.	MATERIAL NO.	COLOR
560123-0500	5601230500	WHITE
560123-0501	5601230501	BLACK

NOTES:

1. MATERIALS : POLYESTER (PBT), GLASS UNFILLED, UL94 V-0
2. MATE WITH : 502352, 560020 SERIES
3. APPLICABLE TERMINAL : 560124 SERIES
4. APPLICABLE ISL : 560125 SERIES
5. GENERAL TOLERANCE : SEE TABLE
6. EVL AND RoHS COMPLIANT
7. PRODUCT SPECIFICATION : PS-560123-00*
8. PACKING SPECIFICATION : PK-560123-001

FUNCTIONAL SYMBOLS	THIS DRAWING CONTAINS INFORMATION THAT IS PROPRIETARY TO MOLEX ELECTRONIC TECHNOLOGIES, LLC AND SHOULD NOT BE USED WITHOUT WRITTEN PERMISSION	SCALE		CURRENT REV DESC:			
	$\nabla_A = 0$ $\nabla_E = 0$ $\nabla_F = 0$	mm	5:1				
DIVISIONAL SYMBOLS	GENERAL TOLERANCES (UNLESS SPECIFIED)		EC NO: 668822				
	ANGULAR TOL ± °		DRWN: SAKIM 2021/07/01				
	4 PLACES ±	CHK'D: HIJIMA 2021/07/05					
	3 PLACES ±	APPR: HIJIMA 2021/07/05					
	2 PLACES ±	INITIAL REVISION:					
1 PLACE ±	DRWN: SWYOON 2016/10/07		DOCUMENT NUMBER		DOC TYPE	DOC PART	REVISION
0 PLACES ±	APPR: JHJANG 2016/10/18		5601230500		PSD	005	A2
DRAFT WHERE APPLICABLE MUST REMAIN WITHIN DIMENSIONS		THIRD ANGLE PROJECTION	DRAWING	SERIES	MATERIAL NUMBER	CUSTOMER	SHEET NUMBER
			A3-SIZE	560123	SEE TABLE	GENERAL MARKET	1 OF 1