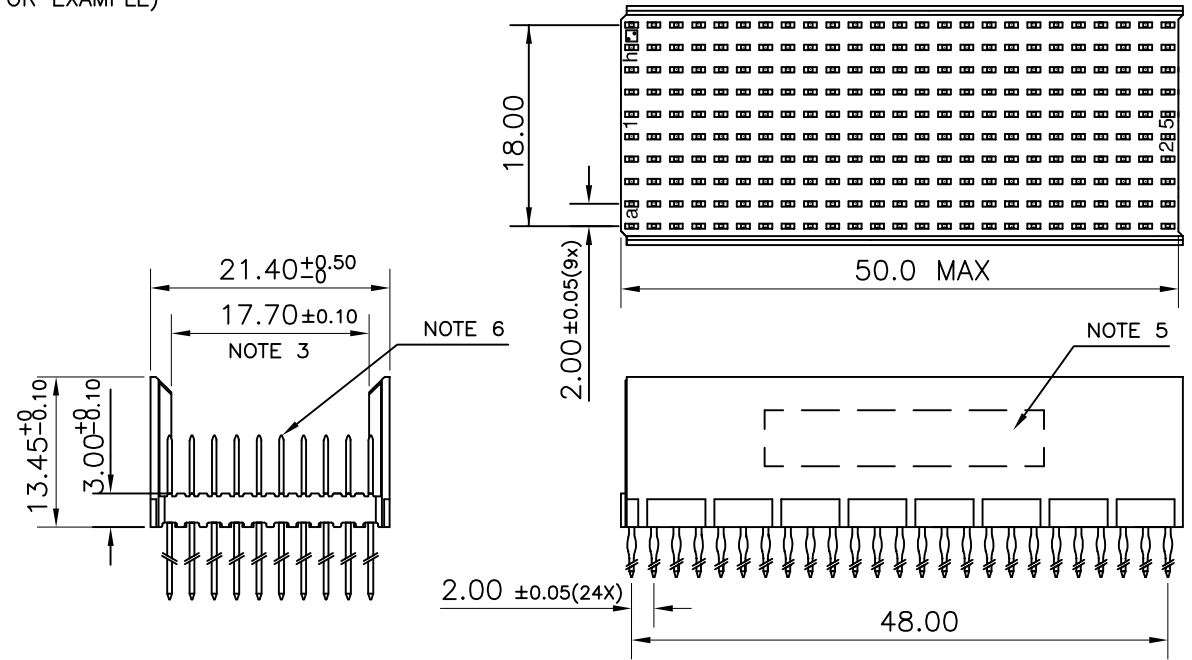


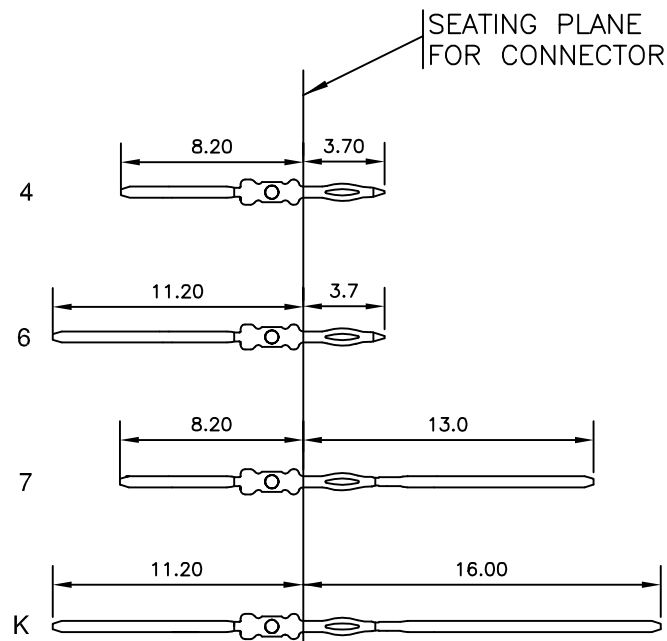
LOADING PATTERN MATING SIDE

y	6	6	6	6	6	6	K	6	6	6	K	6	6	6	6	6	6	6	6	6	6	6	6	6
h	4	4	4	4	4	4	7	4	4	4	7	4	4	4	4	4	4	4	4	4	4	4	4	4
g	4	4	4	4	4	4	7	4	4	4	7	4	4	4	4	4	4	4	4	4	4	4	4	4
f	4	4	4	4	4	4	7	4	4	4	7	4	4	4	4	4	4	4	4	4	4	4	4	4
e	4	4	4	4	4	4	7	4	4	4	7	4	4	4	4	4	4	4	4	4	4	4	4	4
d	4	4	4	4	4	4	7	7	7	7	7	4	4	4	4	4	4	4	4	4	4	4	4	4
c	4	4	4	4	4	4	7	7	7	7	7	4	4	4	4	4	4	4	4	4	4	4	4	4
b	4	4	4	4	4	4	7	7	7	7	7	4	4	4	4	4	4	4	4	4	4	4	4	4
a	4	4	4	4	4	4	7	7	7	7	7	4	4	4	4	4	4	4	4	4	4	4	4	4
z	6	6	6	6	6	6	K	K	K	K	K	6	6	6	6	6	6	6	6	6	6	6	6	6
P	0	0	0	0	0	0	1	1	1	1	1	2	2	2	2	2	2	2	2	2	2	2	2	2
O	1	1	1	1	1	1	5	5	5	5	5	5	5	5	5	5	5	5	5	5	5	5	5	5
S	1	1	1	1	1	1	5	5	5	5	5	5	5	5	5	5	5	5	5	5	5	5	5	5

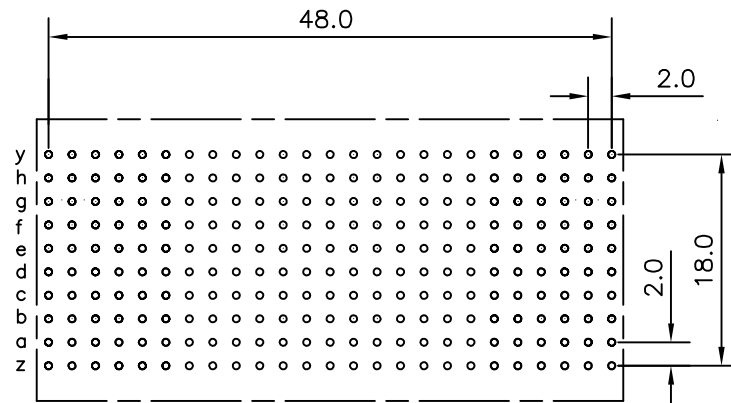
LOADED CONNECTOR ASSEMBLY
(FOR EXAMPLE)



CONTACT OVERVIEW



LAY-OUT P.C.B.-HOLE



LEAD FREE INDICATOR : LF = LEAD FREE
(DIGIT 15 & 16)

HM2P88PNK1T1

PLATING CODE (DIGIT 13 AND 14)
(REF DRW NO. BS,C , 201844 , 003)

NOTES

1. THIS PRODUCT IS CSA APPROVED.
2. THIS PRODUCT IS UL RECOGNIZED.
3. MEASURED AT THE BOTTOM.
4. FOR GENERAL DETAILS PLEASE REFER DRAWING: BS, C ,203028, 000
5. CONNECTOR PRINTED WITH P/N AND DATE CODE.
6. FOR ACTUAL CONTACT LOADINGS, SEE LOADING PATTERN MATING SIDE.
7. THIS PRODUCT MEETS EUROPEAN UNION DIRECTIVES AND OTHER COUNTRY REGULATIONS AS DESCRIBED IN GS-47-0004
8. FOR RECOMMENDED PTH DIMENSIONS REFER DRAWING : BS, A , 201572 , 001

CATALOG NO: HM2P88PNK1T1----

mat'l. code SEE NOTE 4				surface ISO 1302 ✓		tolerance ISO 406 ISO 1101		projection MM		product family MILLIPACS			
ltr A				ecn no 118-0040		dr MINI		date 2019-02-16		title MPACS 8+2R STR HDR PF CONN TYPE-E/SELECTIVE LOADING			
				angles 0°±1°		linear .0±0.2 .00±0.1		scale -		dwg no sheet 1 of 1 size A3			
				dr MINI K VANDANATH		2019-02-16		Amphenol FCI		BSC,203029,074			
				enr BINESH		2019-02-16				type Product Customer Drawing			
				chr ALEX		2019-02-16							
				appd BIJU K PAUL		2019-02-16							
sheet index		revision sheet		A 1									