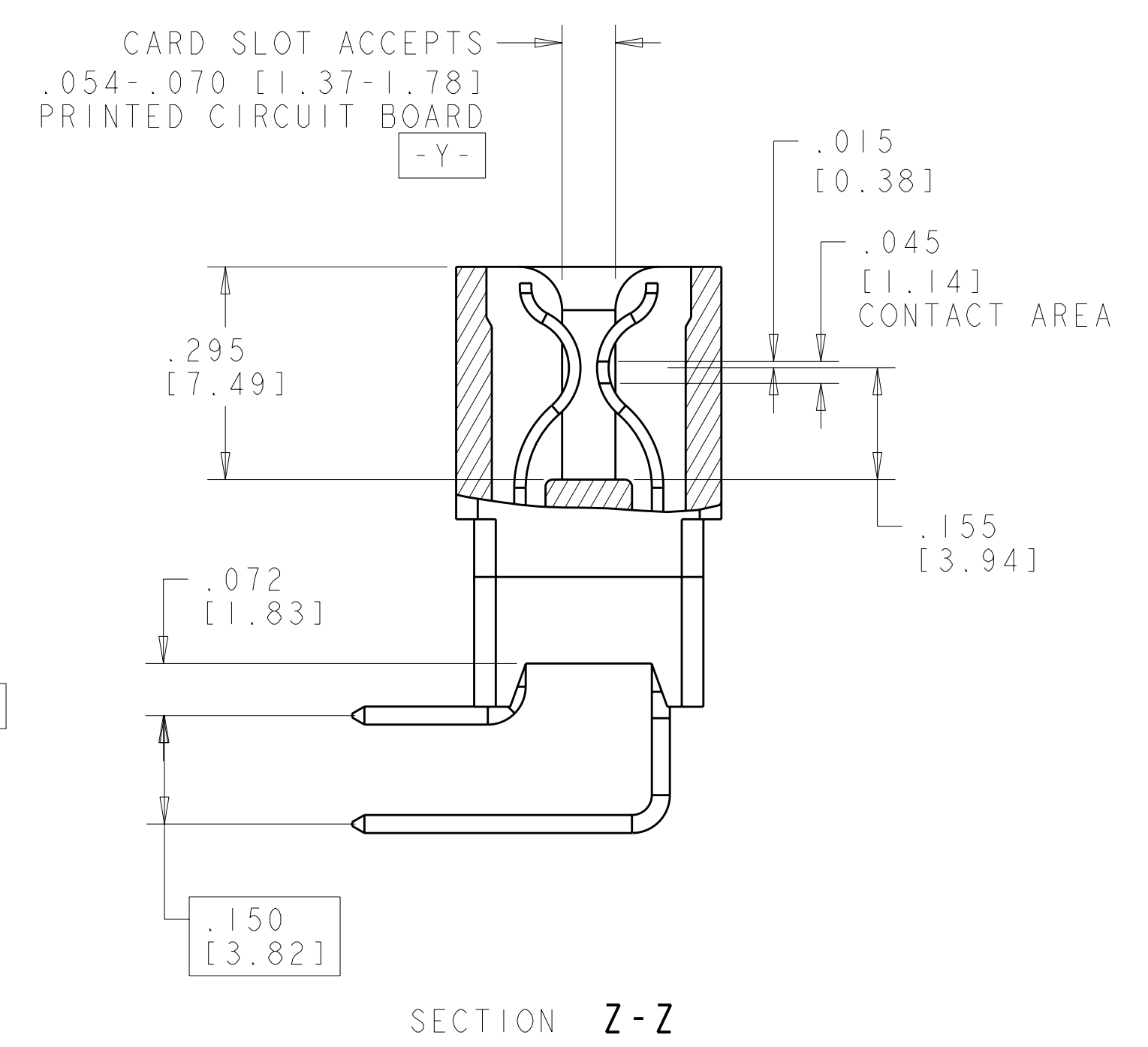
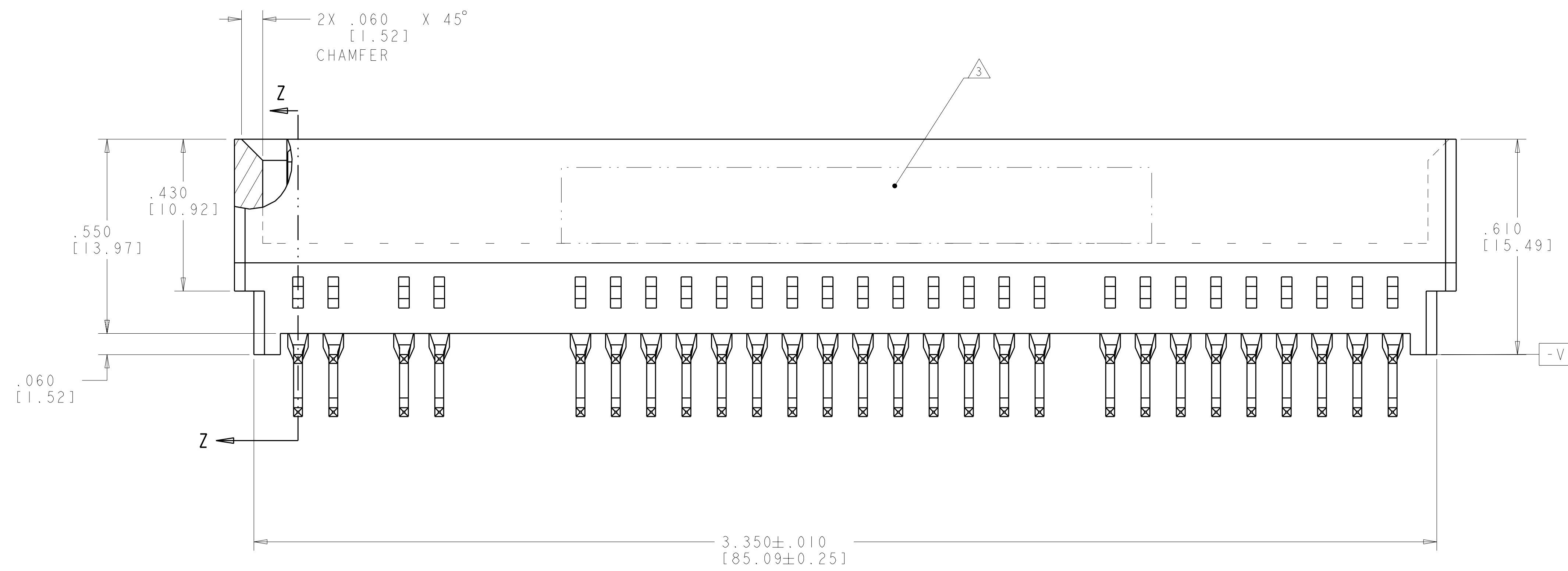
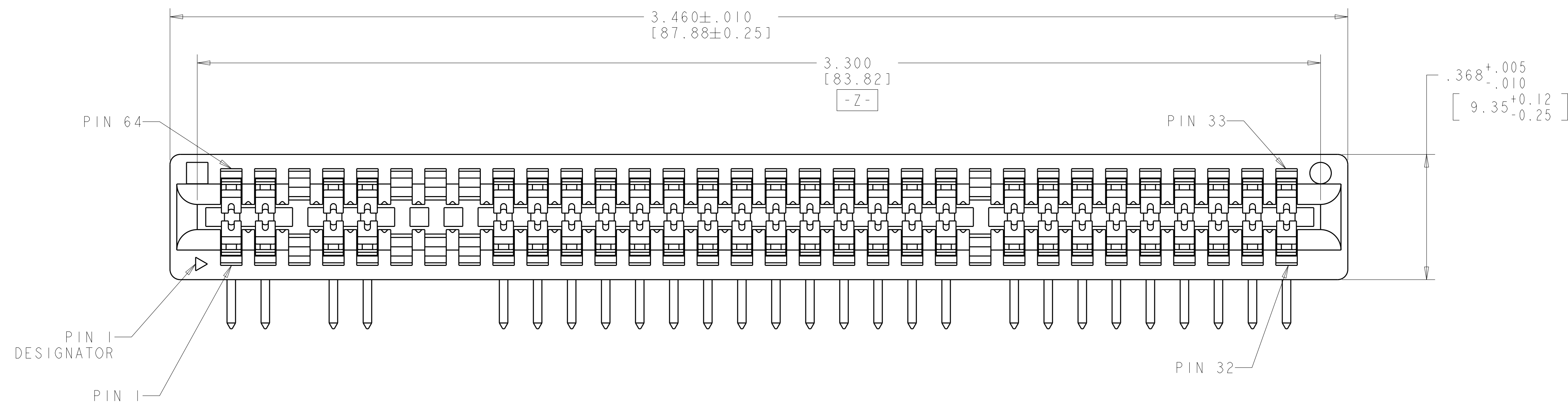


LOC	DIST	REV	DATE	BY	CHK	APPV
GP	00	I	22DEC2009	RG		EH



- △ MATERIAL:
HOUSING: GLASS FILLED POLYESTER, BLACK
CONTACT: COPPER ALLOY, HIGH CONDUCTIVITY/ HIGH TEMPERATURE
- △ FINISH:
CONTACT: GOLD PLATE .000015 [0.00038] MIN THK. OVER
NICKEL .000050 [0.00127] MIN THK.
COMPLIANT TAILS: MATTE TIN PLATE .000100 [0.00254] MIN THK. OVER
NICKEL .000050 [0.00127] MIN THK.
- △ PART NUMBER AND DATE CODE MAY BE MARKED IN APPROXIMATE AREA SHOWN. (EITHER SIDE)
- △ DATUMS PLUS BASIC DIMENSIONS ESTABLISHED BY CUSTOMER.
- 5. MAXIMUM OPERATING TEMPERATURE IS 130°C

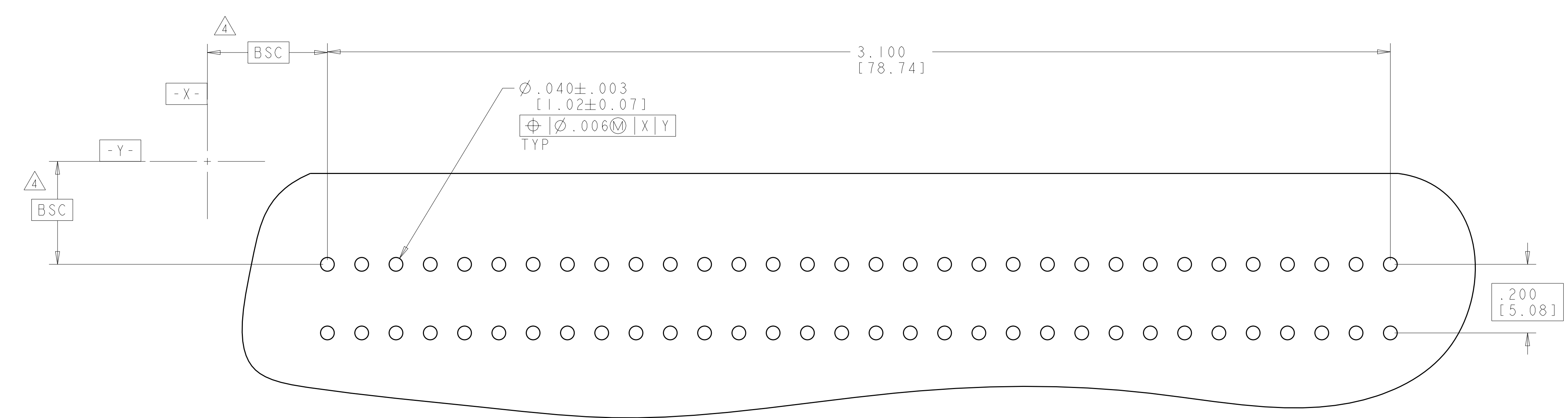
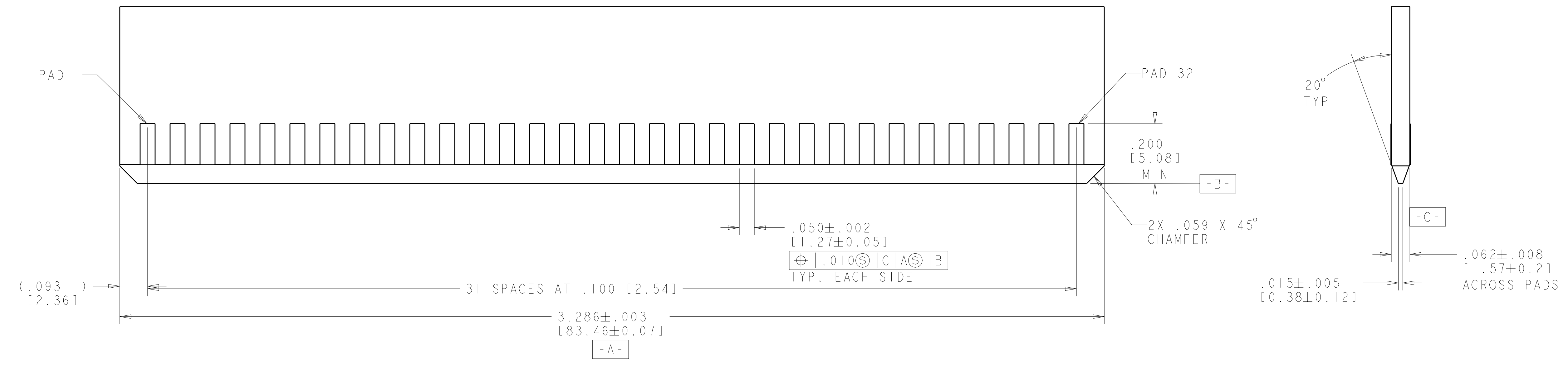
THIS PRINT IS
PRELIMINARY
 UNQUALIFIED PRODUCT
 CONTACT PRODUCT ENGINEERING
 BEFORE USING THIS PRINT

3, 6, 7, 8, 23, 42, 57, 59, 62	2132295-1
OMITTED PINS	PART NO.

DIMENSIONS: INCHES 9 PLC ± 1 PLC ±.02 [0.51] 5 PLC ±.010 [0.25] 4 PLC ± ANGLES ±3 MATERIAL △ FINISH △		TOLERANCES UNLESS OTHERWISE SPECIFIED: 9 PLC ± 1 PLC ±.02 [0.51] 5 PLC ±.010 [0.25] 4 PLC ± ANGLES ±3 MATERIAL △ FINISH △		DWN R. GRZYBOWSKI 22DEC2009 CHK E. HOWARD 22DEC2009 APPV M. PERCHERIE 22DEC2009 PRODUCT SPEC 108-9039 APPLICATION SPEC 114-13018 WEIGHT CUSTOMER DRAWING		Tyco Electronics Harrisburg, PA 17105-3608 NAME CONNECTOR ASSEMBLY STANDARD EDGE II, DUAL POSITION SOLDER TAIL, .100 CL SIZE CAGE CODE DRAWING NO. RESTRICTED TO A1100779C=2132295 SCALE 5:1 SHEET 1 OF 2 REV 1	
---	--	--	--	--	--	---	--

LOC	DIST	REV	DATE	BY	APPD
GP	00				
DESCRIPTION			DATE	DWN	APPD
SEE SHEET 1			-	-	-

MATING BOARD EDGE CONFIGURATION



RECOMMENDED PC BOARD HOLE LAYOUT

DIMENSIONS: INCHES 		TOLERANCES UNLESS OTHERWISE SPECIFIED: 9 PLC ± 8 PLC ±.02 (0.51) 5 PLC ±.010 (0.25) 4 PLC ± ANGLES ±.3		DWN R. GRZYBOWSKI 22DEC2009 CHK E. HOWARD 22DEC2009 APVD M. PERCHERIE 22DEC2009		Tyco Electronics Harrisburg, PA 17105-3608	
MATERIAL - FINISH -		WEIGHT - CUSTOMER DRAWING		NAME CONNECTOR ASSEMBLY STANDARD EDGE II, DUAL POSITION SOLDER TAIL, .100 CL		SIZE CAGE CODE DRAWING NO RESTRICTED TO A 100779 C=2132295	
SCALE 5:1		SHEET 2 OF 2		REV 1		Tyco Electronics Harrisburg, PA 17105-3608	