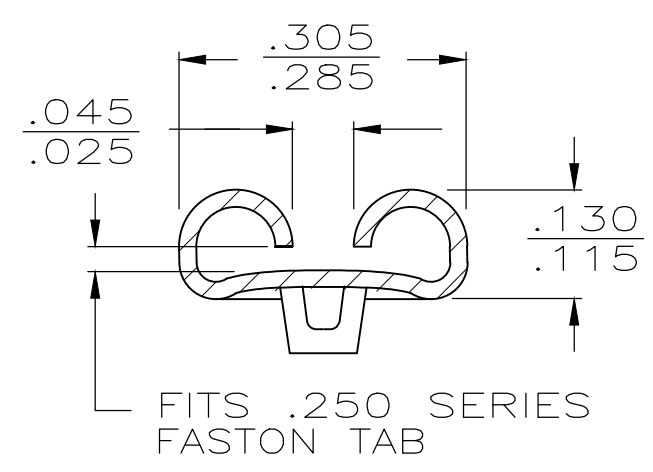
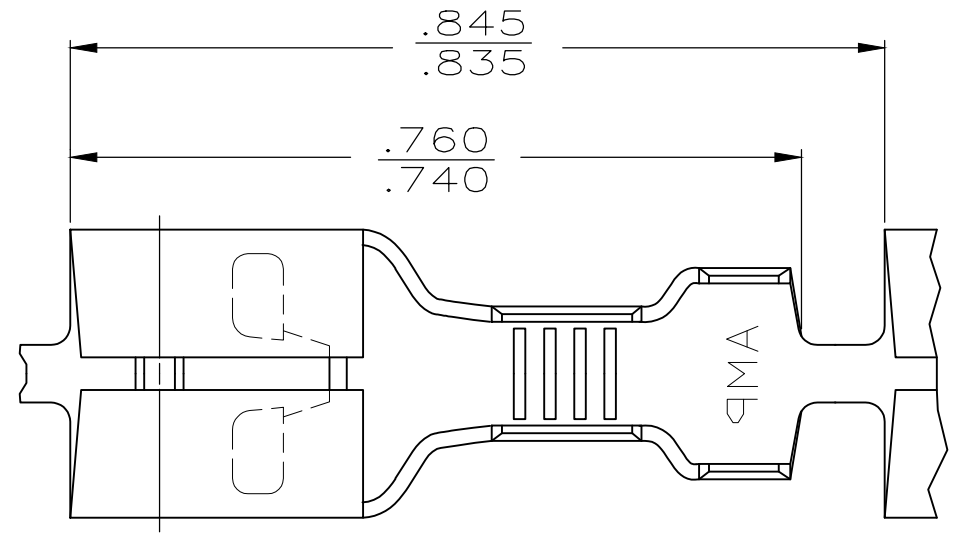
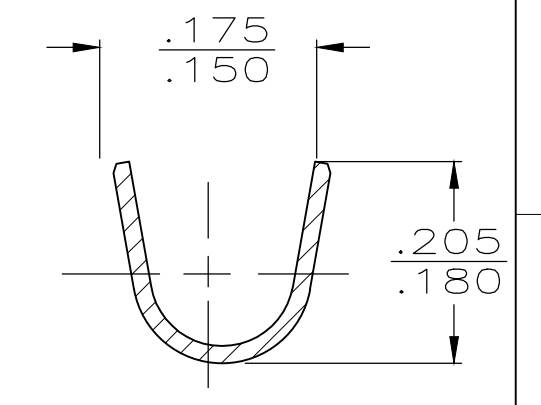
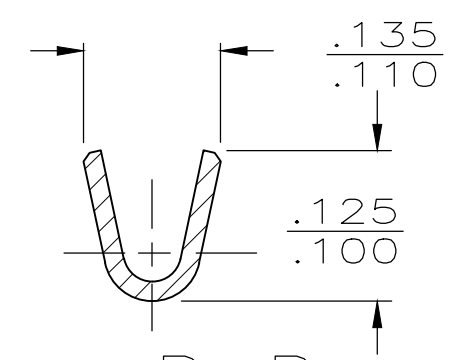
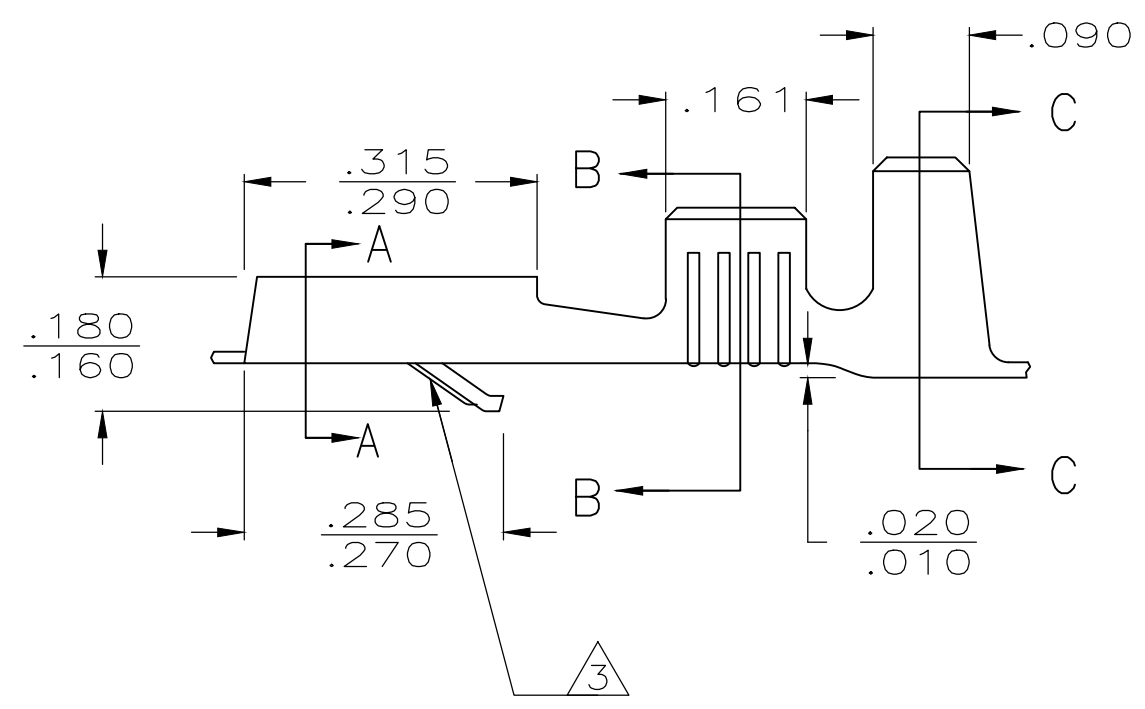


THIS DRAWING IS UNPUBLISHED. RELEASED FOR PUBLICATION
 © COPYRIGHT - By - ALL RIGHTS RESERVED.

LOC	DIST	REVISIONS			
P	LTR	DESCRIPTION	DATE	DWN	APVD
AF	50	AK	REVISED PER ECR-18-013409	03SEP2018	BDA LB



- 1 CONTINUOUS STRIP ON REELS.
- 2 FOREIGN PRODUCTION ONLY
- 3 LANCE IN 1-60295-2 ONLY.
- 4 INTERLEAVING PAPER



FINISH	INSULATION RANGE	WIRE SIZE	TAB THK	PART NO
⁴ TIN	.085-.125	22-18	.032 ±.001	60295-4
OBSOLETE ³ TIN	.085-.125	22-18	.032 ±.001	² 1-60295-2
OBSOLETE NICKEL	.085-.125	22-18	.032 ±.001	60295-3
TIN	.085-.125	22-18	.032 ±.001	60295-2
-	.085-.125	22-18	.032 ±.001	60295-1

THIS DRAWING IS A CONTROLLED DOCUMENT.		DWN JR RUTH 4/28/86	STE TE Connectivity		
DIMENSIONS: INCHES		CHK G YETTER 4/28/86			
TOLERANCES UNLESS OTHERWISE SPECIFIED:		APVD R KUZO 4/28/86	NAME .250 SERIES FASTIN - FASTON RECEPTACLE		
0 PLC ± -		PRODUCT SPEC -	SIZE A3		
1 PLC ± -		APPLICATION SPEC -	CAGE CODE 00779	DRAWING NO C-60295	RESTRICTED TO -
2 PLC ± -		WEIGHT -	SCALE 1:1 SHEET 1 OF 1 REV AK		
3 PLC ± .015		CUSTOMER DRAWING			
4 PLC ± -					
ANGLES ± -					
MATERIAL BRASS					
FINISH SEE ABOVE					