

5205860-1 ✓ ACTIVE

AMPLIMITE | AMPLIMITE HDP

TE Internal #: 5205860-1

PCB D-Sub Connectors, Receptacle, Board-to-Board, 37 Position,
2.74 mm [.108 in] Centerline, 2 Row, 4 Connector Shell Size, Square,
AMPLIMITE HDP

[View on TE.com >](#)



Connectors > D-Shaped Connectors > D-Sub Connectors > PCB D-Sub Connectors > D-Sub Receptacle Assembly: Right Angle, Shell Size 4, 2.77mm



Connector & Housing Type: **Receptacle**

Connector System: **Board-to-Board**

Number of Positions: **37**

Centerline (Pitch): **2.74 mm [.108 in]**

Number of Rows: **2**

[All D-Sub Receptacle Assembly: Right Angle, Shell Size 4, 2.77mm \(20\)](#)

Features

Product Type Features

Shell Material Configuration	Front Metal Shell
Connector & Housing Type	Receptacle
Connector System	Board-to-Board
Connector Shell Size	4
Connector & Contact Terminates To	Printed Circuit Board

Configuration Features

Number of Positions	37
Number of Rows	2
PCB Mount Orientation	Right Angle

Body Features

Shell Plating Material	Zinc
Connector Profile	Standard

Contact Features

Contact Mating Area Plating Material	Gold Flash
Contact Underplating Material	Nickel
PCB Contact Termination Area Plating Material	Tin
Contact Base Material	Phosphor Bronze



Contact Shape & Form	Square
----------------------	--------

Contact Current Rating (Max)	6 A
------------------------------	-----

Termination Features

Square Termination Post & Tail Dimension	.63 mm[.025 in]
--	-----------------

Termination Post & Tail Length	3.18 mm[.125 in]
--------------------------------	------------------

Termination Method to Printed Circuit Board	Through Hole - Solder
---	-----------------------

Mechanical Attachment

Mounting Hole Diameter	3.05 mm[.12 in]
------------------------	-----------------

PCB Mount Retention	With
---------------------	------

PCB Mount Retention Type	Mounting Hole
--------------------------	---------------

Mating Retention	Without
------------------	---------

Connector Mounting Type	Board Mount
-------------------------	-------------

Housing Features

Shell Material	Steel
----------------	-------

Housing Material	Glass-Filled Nylon, Glass-Filled PBT
------------------	--------------------------------------

Centerline (Pitch)	2.74 mm[.108 in]
--------------------	------------------

Dimensions

PCB Thickness (Recommended)	2.36 mm[.093 in]
-----------------------------	------------------

Row-to-Row Spacing	2.84 mm[.112 in]
--------------------	------------------

Usage Conditions

Operating Temperature Range	-55 – 105 °C[-67 – 221 °F]
-----------------------------	----------------------------

Operation/Application

Circuit Application	Signal
---------------------	--------

Industry Standards

UL Flammability Rating	UL 94V-0
------------------------	----------

Packaging Features

Packaging Quantity	56
--------------------	----

Packaging Method	Package
------------------	---------

Product Compliance

For compliance documentation, visit the product page on [TE.com](https://www.te.com)>



EU RoHS Directive 2011/65/EU	Compliant
EU ELV Directive 2000/53/EC	Compliant
China RoHS 2 Directive MIIT Order No 32, 2016	No Restricted Materials Above Threshold
EU REACH Regulation (EC) No. 1907/2006	Current ECHA Candidate List: JUNE 2023 (235) Candidate List Declared Against: JUNE 2022 (224) Does not contain REACH SVHC
Halogen Content	Not Low Halogen - contains Br or Cl > 900 ppm.
Solder Process Capability	Wave solder capable to 265°C

Product Compliance Disclaimer

This information is provided based on reasonable inquiry of our suppliers and represents our current actual knowledge based on the information they provided. This information is subject to change. The part numbers that TE has identified as EU RoHS compliant have a maximum concentration of 0.1% by weight in homogenous materials for lead, hexavalent chromium, mercury, PBB, PBDE, DBP, BBP, DEHP, DIBP, and 0.01% for cadmium, or qualify for an exemption to these limits as defined in the Annexes of Directive 2011/65/EU (RoHS2). Finished electrical and electronic equipment products will be CE marked as required by Directive 2011/65/EU. Components may not be CE marked. Additionally, the part numbers that TE has identified as EU ELV compliant have a maximum concentration of 0.1% by weight in homogenous materials for lead, hexavalent chromium, and mercury, and 0.01% for cadmium, or qualify for an exemption to these limits as defined in the Annexes of Directive 2000/53/EC (ELV). Regarding the REACH Regulation, the information TE provides on SVHC in articles for this part number is based on the latest European Chemicals Agency (ECHA) 'Guidance on requirements for substances in articles' posted at this URL: <https://echa.europa.eu/guidance-documents/guidance-on-reach>

Compatible Parts



TE Part # 1-745498-7
PLUG ASSY,37P,HDE,MS




TE Part # CAT-AM7-248H4
IDC D-Sub: Connector Kit, Plug, Wire to Wire, Signal, 2.77 mm



TE Part # 206509-1
SIZE 20 KEYING PLUG

Also in the Series | AMPLIMITE HDP



D-Sub Connector Contacts(6)



PCB D-Sub Connectors(83)

Customers Also Bought



TE Part #205205-7
CRIMP SNAP RCPT ASSY, SIZE 2



TE Part #326882
TERMINAL, PIDG R 16-14 6



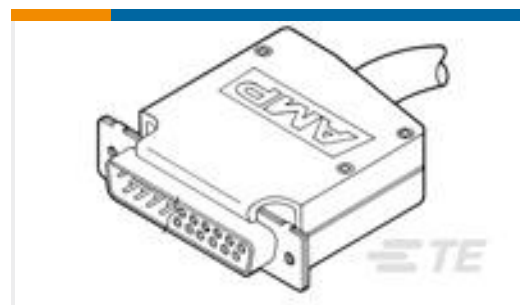
TE Part #5747844-3
09 MSFL RCPT RA 318 (IN,FM,BL)



TE Part #5205730-1
CLAMSHELL ASY SIZE 2



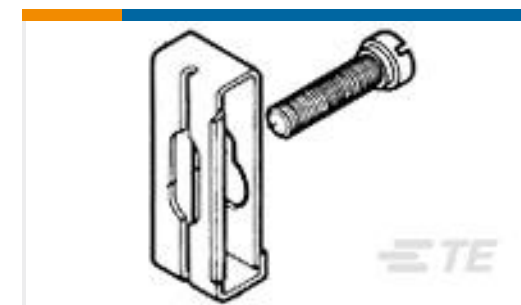
TE Part #87220-2
02 MODII HDR SRST UNSHRD .100



TE Part #5205718-1
CABLE SUPPORT HSG ASSY



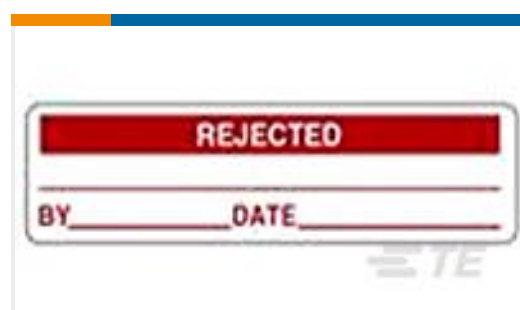
TE Part #1757820-2
AMPLIMITE, ASY, RCPT, STD, 109, ZN, 2



TE Part #5206942-1
SLIDELATCH CLIP ASSY, KIT



TE Part #2176388-1
RQ 1206 10R 0.1% 10PPM 5K RL



TE Part #1878653-3
QC130

Documents

Product Drawings

37 RCPT RA/MS STD

English

CAD Files

3D PDF

3D

Customer View Model

[ENG_CVM_CVM_5205860-1_O.2d_dxf.zip](#)

English

Customer View Model

[ENG_CVM_CVM_5205860-1_O.3d_igs.zip](#)

English

Customer View Model

[ENG_CVM_CVM_5205860-1_O.3d_stp.zip](#)

English

By downloading the CAD file I accept and agree to the [Terms and Conditions](#) of use.



Product Specifications

Application Specification

English

Agency Approvals

UL Report

English