

4

3

2

1

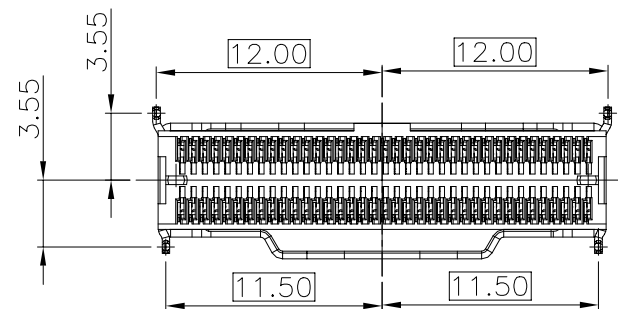
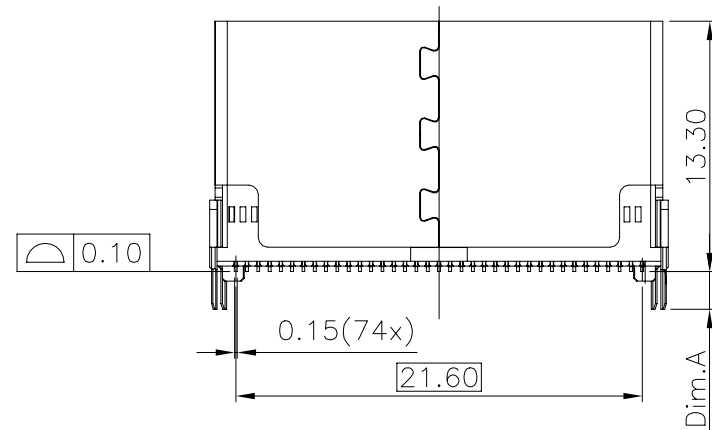
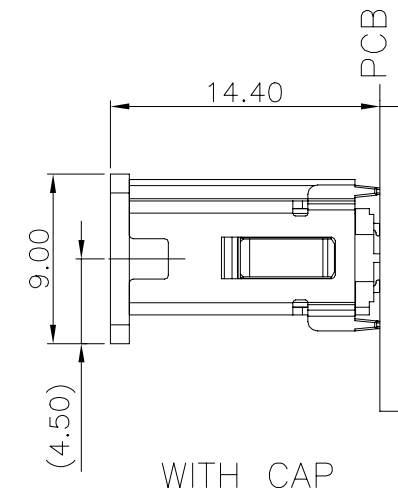
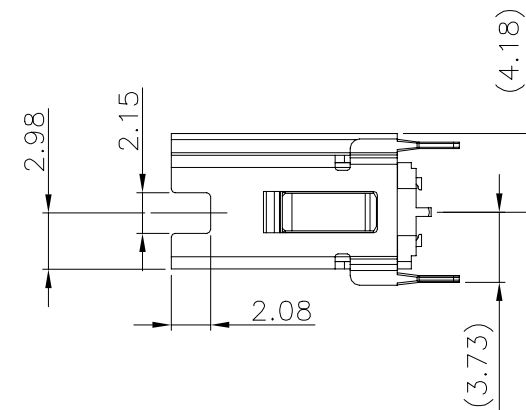
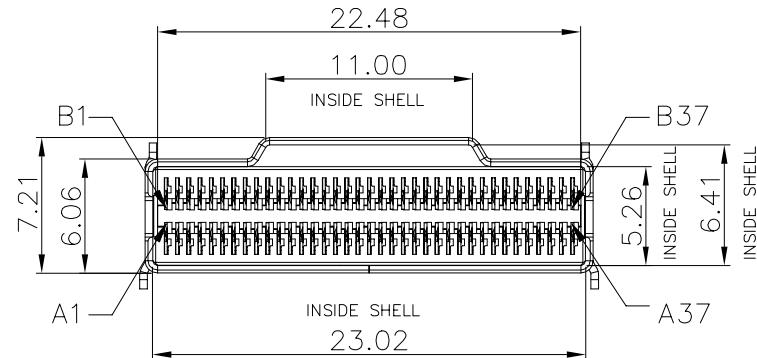
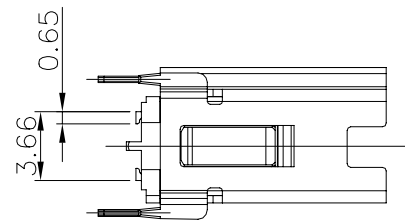
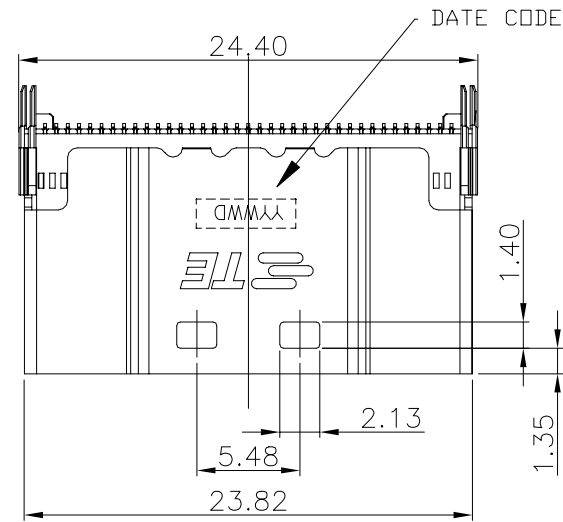
© - TE Connectivity. All Rights Reserved.

REVISIONS

| P | LTR | DESCRIPTION              | DATE      | DWN | APVD |
|---|-----|--------------------------|-----------|-----|------|
| C |     | REVISE PER ECO-21-004735 | 14APR2021 | LL  | DZ   |

NOTES:

1. MATERIAL:
  - 1.1 HOUSING: HIGH TEMPERATURE PLASTIC. UL94 V-0
  - 1.2 CONTACT: COPPER ALLOY
  - 1.3 SHELL: STAINLESS STEEL
  - 1.4 CAP: HIGH TEMPERATURE PLASTIC. UL94 V-0 COLOR:BLACK
2. FINISH:
  - 2.1 CONTACT;
    - GOLD PLATING 30u"Min ON CONTACT AREA.
    - 100u" MIN. MATTE-TIN PALTING ON SOLDER TAIL AREA.
    - 50u"MIN. NICKEL UNDERPLATING OVERALL.
  - 2.2 SHELL:
    - Ni 50u" Min PLATING OVER ALL.



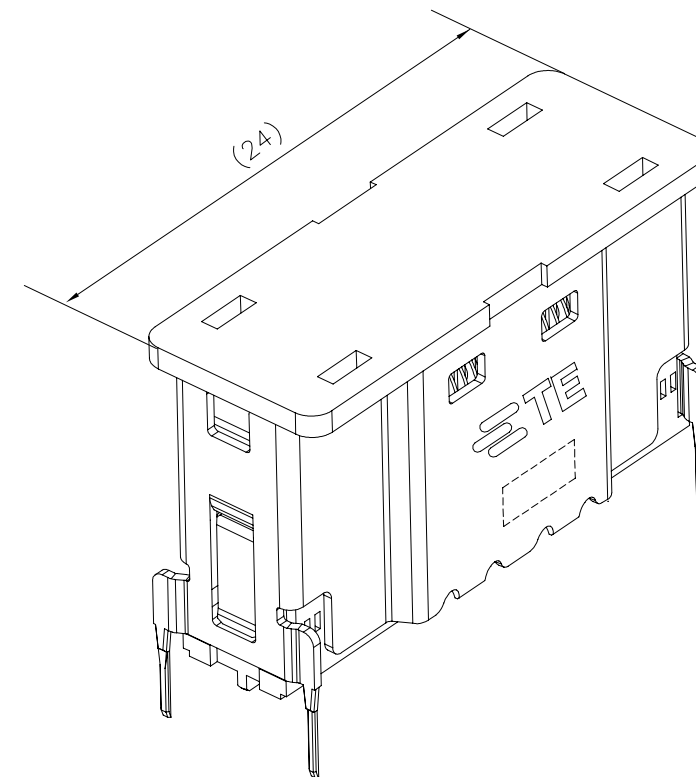
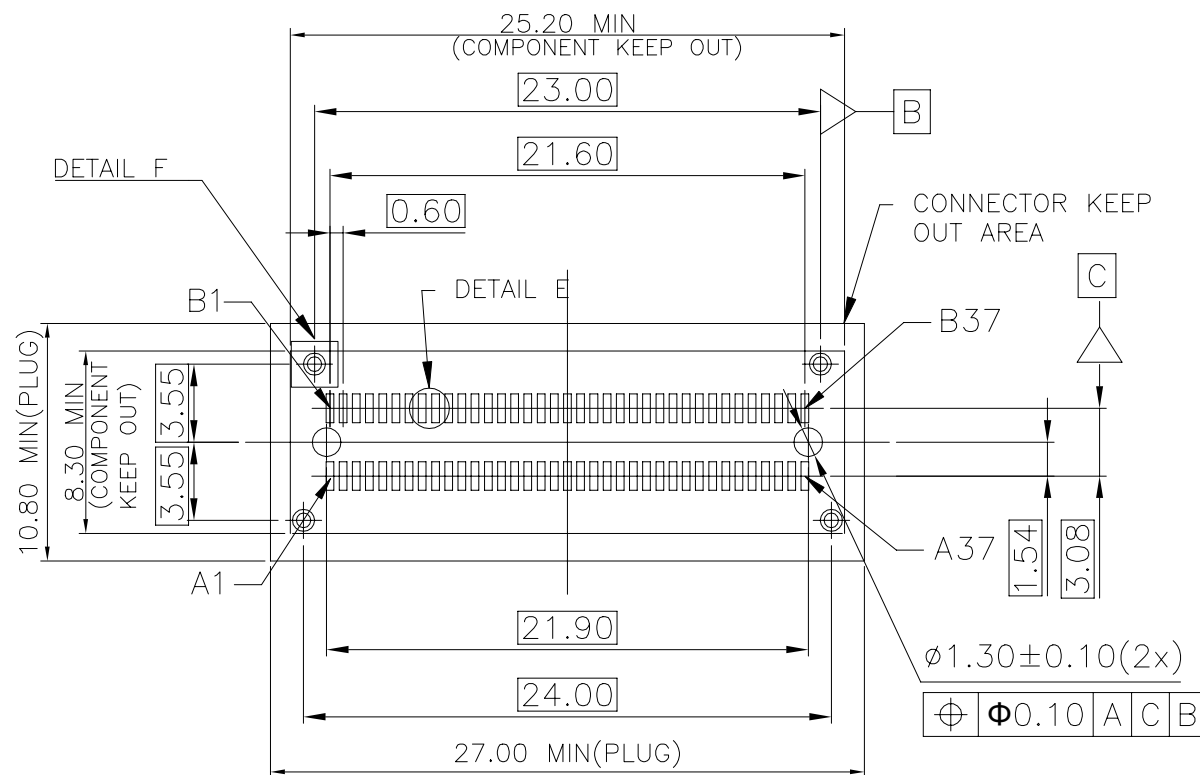
TABLE

|        |           |
|--------|-----------|
| 3.00mm | 2356318-2 |
| 2.00mm | 2356318-1 |
| Dim.A  | PART No.  |

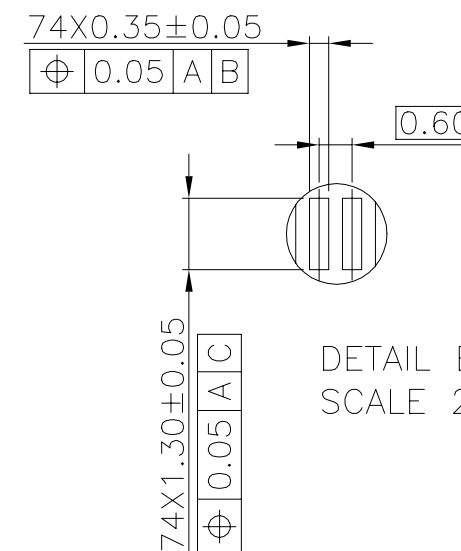
|  |  |  |             |                  |                          |                  |           |                              |        |     |
|--|--|--|-------------|------------------|--------------------------|------------------|-----------|------------------------------|--------|-----|
| THIS DRAWING IS A CONTROLLED DOCUMENT. |  | DWN                                    | LEOLI       | 07MAY2019        | <br>TE Connectivity Ltd. | NAME             |           | SLIMLINE SAS X8 REC VERTICAL |        |     |
| DIMENSIONS:                            |  | CHK                                    | DAVID ZHANG | 07MAY2019        |                          | PRODUCT SPEC     |           | -                            |        |     |
| mm                                     |  | APVD                                   | DAVID ZHANG | 07MAY2019        |                          | APPLICATION SPEC |           | -                            |        |     |
|  |  | TOLERANCES UNLESS OTHERWISE SPECIFIED: |             | WEIGHT           |                          | 3.43             |           | RESTRICTED TO                |        |     |
| MATERIAL                               |  | FINISH                                 |             | CUSTOMER DRAWING |                          | SIZE             | A3        | CAGE CODE                    | 00779  |     |
|  |  |  |             |                  |                          | DRAWING NO       | C=2356318 |                              | SCALE  | 1:1 |
|  |  |  |             |                  |                          |                  |           | SHEET                        | 1 OF 3 |     |
|  |  |  |             |                  |                          |                  |           | REV                          | C      |     |

REVISIONS

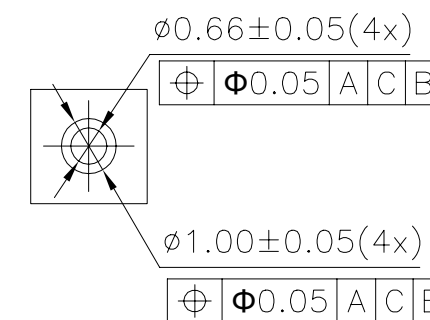
| P | LTR | DESCRIPTION | DATE | DWN | APVD |
|---|-----|-------------|------|-----|------|
| - | -   | SEE SHEET 1 | -    | -   | -    |



RECOMMENDED PCB LAYOUT


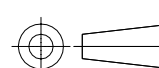


DETAIL E  
SCALE 2.5:1



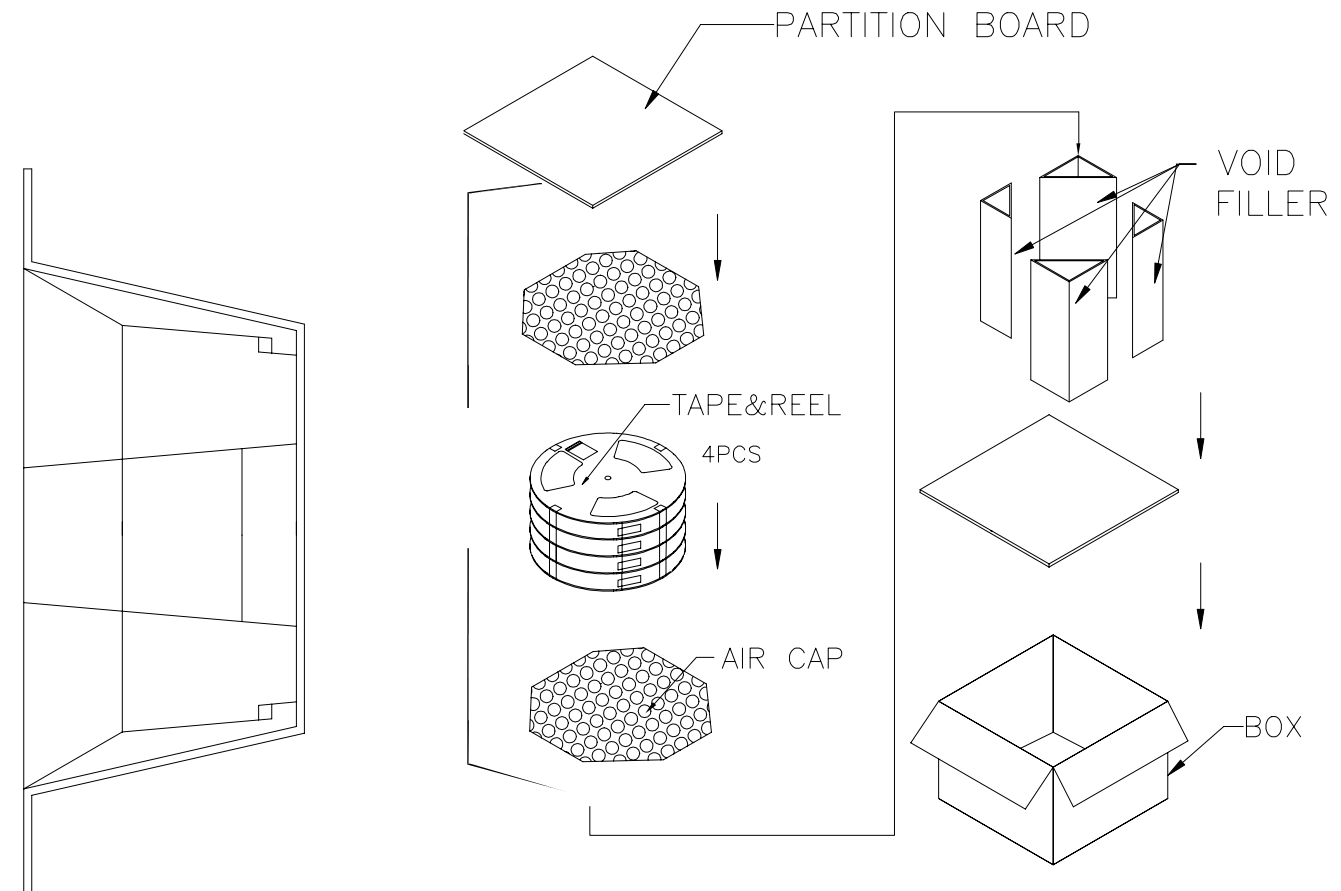
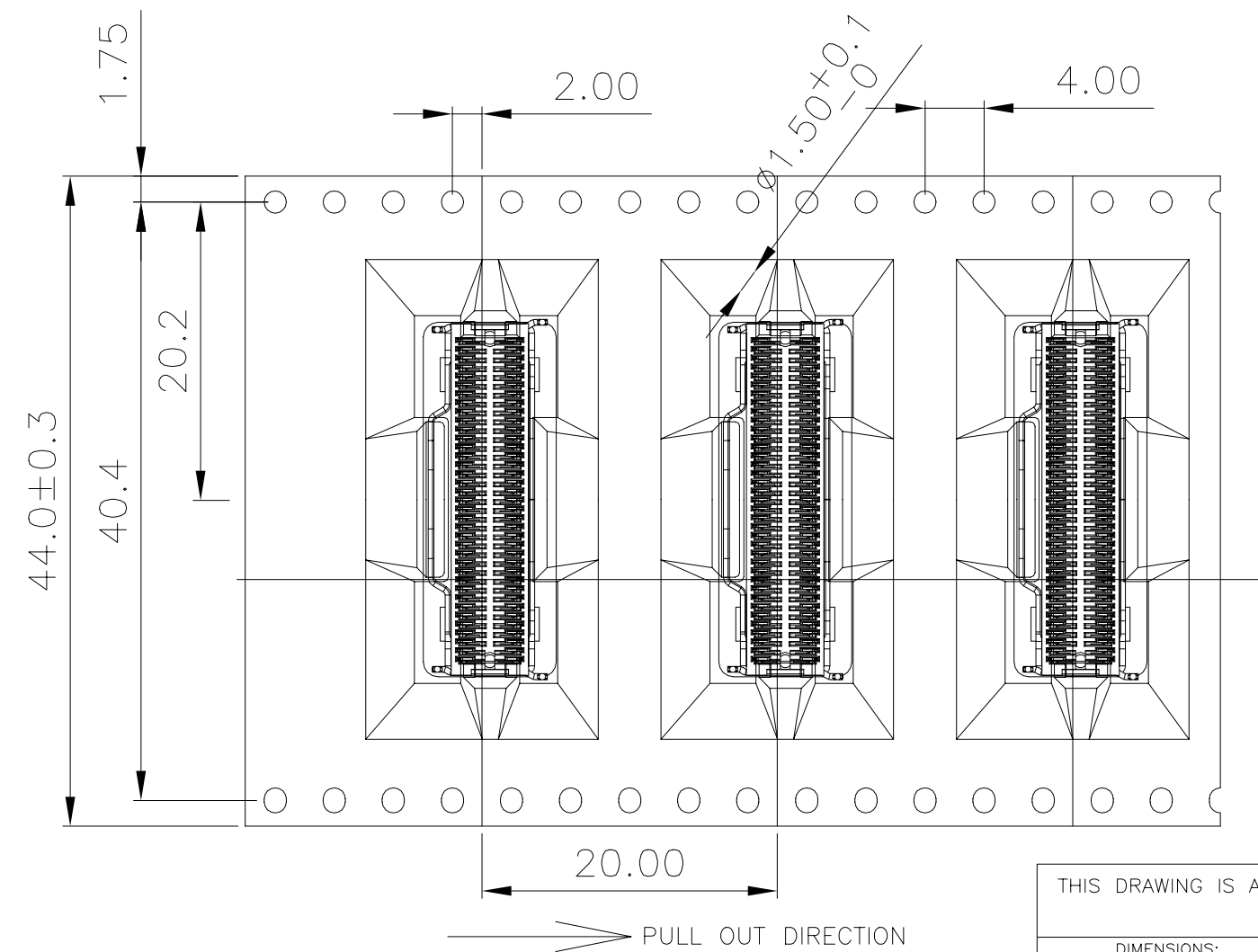
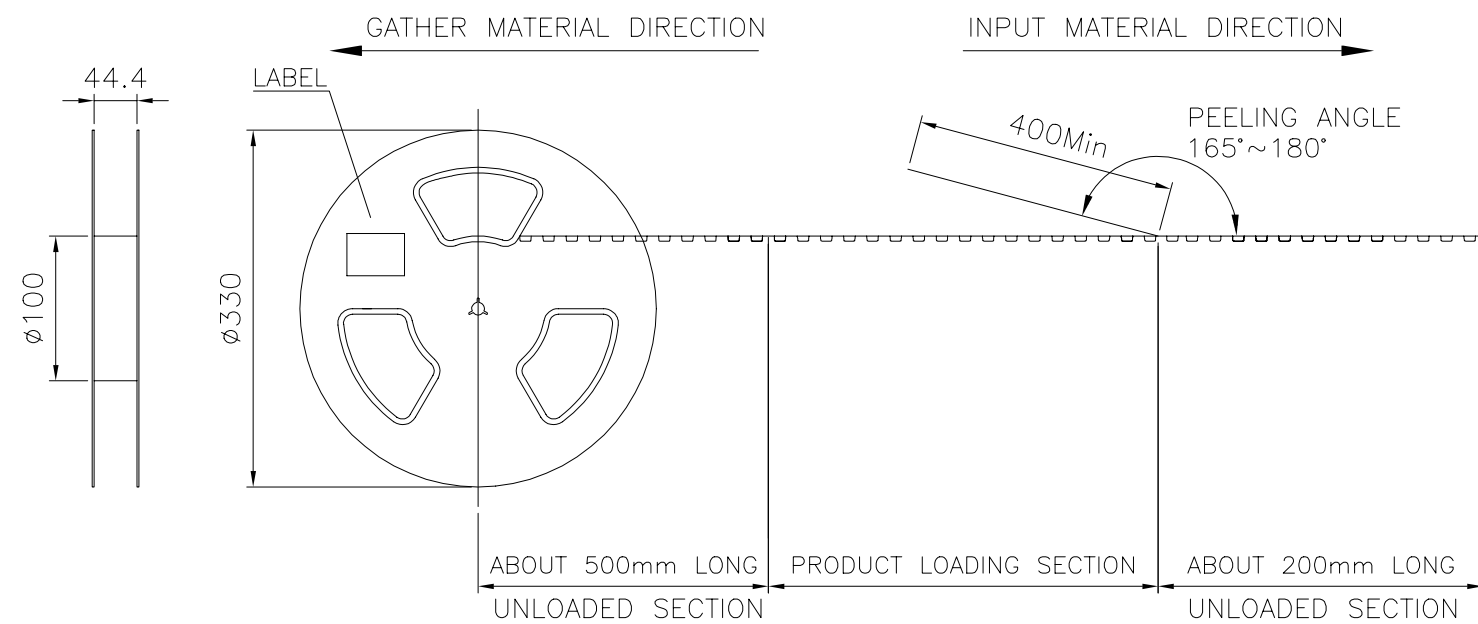
DETAIL F  
SCALE 2.5:1

- NOTES:
- 1.RECOMMENDED SPACING BETWEEN ADJACENT CONNECTORS IS 19.05mm
  - 2.RECOMMENDED PCB THICKNESS:1.57mm Min
  - 3.DATUM "A" ESTABLISHED FROM TOP SURFACE OF PCB

|  |  |  |             |                                      |   |
|--|--|--|-------------|--------------------------------------|---|
| THIS DRAWING IS A CONTROLLED DOCUMENT.   |  | DWN  | LEOLI       | 07MAY2019                            |  <b>TE Connectivity Ltd.</b> |
|  |  | CHK  | DAVID ZHANG | 07MAY2019                            |   |
|  |  | APVD   | DAVID ZHANG | 07MAY2019                            |   |
|  |  | PRODUCT SPEC   | 108-60131   |                                      |   |
| DIMENSIONS:<br>mm<br> |  | TOLERANCES UNLESS OTHERWISE SPECIFIED:<br>0 PLC ± 0.3<br>1 PLC ± 0.25<br>2 PLC ± 0.20<br>3 PLC ± -<br>4 PLC ± -<br>ANGLES ± 2° |             | NAME<br>SLIMLINE SAS X8 REC VERTICAL |   |
| MATERIAL   |  | APPLICATION SPEC   |             | SIZE                                 |   |
|  |  | WEIGHT   |             | CAGE CODE                            |   |
|  |  | 114-60032  |             | A3 00779                             |   |
|  |  | CUSTOMER DRAWING   |             | DRAWING NO                           |   |
|  |  | 3.43   |             | C=2356318                            |   |
|  |  | SCALE  |             | RESTRICTED TO                        |   |
|  |  | 1:1  |             | -                                    |   |
|  |  | SHEET  |             | REV                                  |   |
|  |  | 2 OF 3   |             | C                                    |   |

| P | LTR | DESCRIPTION | DATE | DWN | APVD |
|---|-----|-------------|------|-----|------|
| - | -   | SEE SHEET 1 | -    | -   | -    |

- MATERIAL:  
COVER TAPE: PET, COLOR: CLEAR  
CARRIER TAPE: PET  
REEL: PS  
SHIPPING BOX; CORRUGATED FIBER
- DIMENSION:  
REEL: SEE DRAWING  
BOX: 335X335X223mm
- QUANTITY: SEE TABLE



TABLE

| PART No.  | PCS/ REEL | REEL/ CARTON | PCS/ CARTON |
|-----------|-----------|--------------|-------------|
| 2356318-2 | 120       | 4            | 480         |
| 2356318-1 | 120       | 4            | 480         |

THIS DRAWING IS A CONTROLLED DOCUMENT.

| DIMENSIONS: | TOLERANCES UNLESS OTHERWISE SPECIFIED: |
|-------------|--|
| mm          |  |
|             | 0 PLC ± 0.3                            |
|             | 1 PLC ± 0.25                           |
|             | 2 PLC ± 0.20                           |
|             | 3 PLC ± -                              |
|             | 4 PLC ± -                              |
|             | ANGLES ± 2'                            |
| MATERIAL    | FINISH                                 |
| -           | -                                      |

|                  |             |           |
|------------------|-------------|-----------|
| DWN              | LEOLI       | 07MAY2019 |
| CHK              | DAVID ZHANG | 07MAY2019 |
| APVD             | DAVID ZHANG | 07MAY2019 |
| PRODUCT SPEC     | 108-60131   |           |
| APPLICATION SPEC | 114-60032   |           |
| WEIGHT           | 3.43        |           |
| CUSTOMER DRAWING |             |           |

|                              |           |            |               |
|------------------------------|-----------|------------|---------------|
| TE Connectivity Ltd.         |           |            |               |
| NAME                         |           |            |               |
| SLIMLINE SAS X8 REC VERTICAL |           |            |               |
| SIZE                         | CAGE CODE | DRAWING NO | RESTRICTED TO |
| A3                           | 00779     | C=2356318  | -             |
| SCALE                        |           | SHEET      | REV           |
| 1:1                          |           | 3 of 3     | C             |