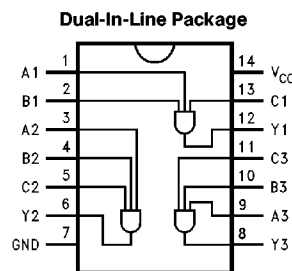


DM54LS15/DM74LS15 Triple 3-Input AND Gate with Open-Collector Outputs

General Description

This device contains three independent gates, each of which perform the logic AND function. The outputs are open-collector.

Connection Diagram



TL/F/10167-1

Order Number DM54LS15J, DM54LS15W,
DM74LS15M or DM74LS15N
See NS Package Number J14A, M14A, N14A or W14B

Function Table

(Each Gate)

Inputs			Output Y
A	B	C	
H	H	H	H
L	X	X	L
X	L	X	L
X	X	L	L

Logic Diagram

(Each Gate)



TL/F/10167-1

Positive Logic

$$Y = A \cdot B \cdot C \text{ or } Y = \overline{\overline{A} + \overline{B} + \overline{C}}$$

DM54LS15/DM74LS15 Triple 3-Input AND Gate with Open-Collector Outputs

Absolute Maximum Ratings (Note)

If Military/Aerospace specified devices are required, please contact the National Semiconductor Sales Office/Distributors for availability and specifications.

Supply Voltage	7V
Input Voltage	7V
Operating Free Air Temperature Range	
DM54LS	-55°C to +125°C
DM74LS	0°C to +70°C
Storage Temperature Range	-65°C to +150°C

Note: The "Absolute Maximum Ratings" are those values beyond which the safety of the device cannot be guaranteed. The device should not be operated at these limits. The parametric values defined in the "Electrical Characteristics" table are not guaranteed at the absolute maximum ratings. The "Recommended Operating Conditions" table will define the conditions for actual device operation.

Recommended Operating Conditions at $V_{CC} = +5.0V$, $T_A = +25^\circ C$

Symbol	Parameter	DM54LS15			DM74LS15			Units
		Min	Nom	Max	Min	Nom	Max	
V_{CC}	Supply Voltage	4.5	5	5.5	4.75	5	5.25	V
V_{IH}	High Level Input Voltage	2			2			V
V_{IL}	Low Level Input Voltage			0.7			0.8	V
V_{OH}	High Level Output Voltage			5.5			5.5	V
I_{OL}	Low Level Output Current			4			8	mA
T_A	Free Air Operating Temperature	-55		125	0		70	°C

Electrical Characteristics over recommended operating free air temperature range (unless otherwise noted)

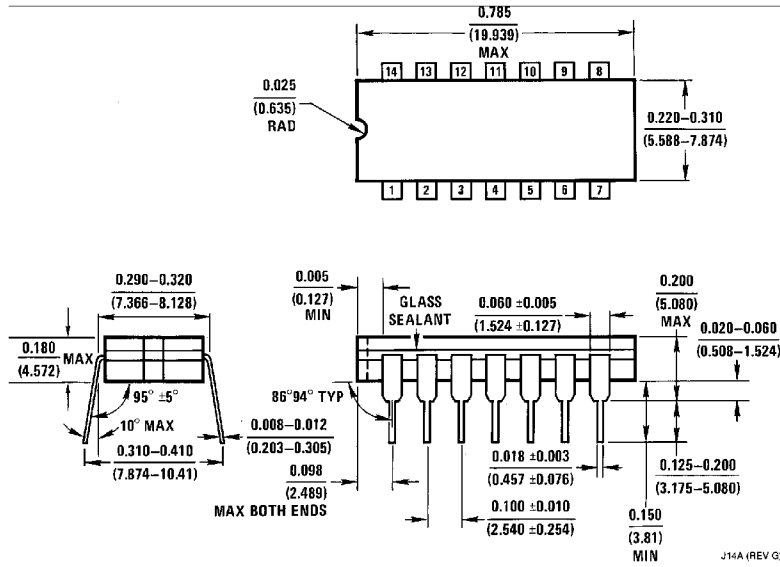
Symbol	Parameter	Conditions	Min	Typ (Note 1)	Max	Units
V_I	Input Clamp Voltage	$V_{CC} = \text{Min}$, $I_I = -18 \text{ mA}$			-1.5	V
I_{CEX}	High Level Output Current	$V_{CC} = \text{Min}$, $V_O = 5.5V$ $V_{IH} = \text{Min}$			100	μA
V_{OL}	Low Level Output Voltage	$V_{CC} = \text{Min}$, $I_{OL} = \text{Max}$, $V_{IH} = \text{Min}$	DM54		0.4	V
			DM74		0.5	
		$I_{OL} = 4 \text{ mA}$, $V_{CC} = \text{Min}$	DM74		0.4	
I_I	Input Current @ Max Input Voltage	$V_{CC} = \text{Max}$, $V_I = 7V$ $V_I = 10V$ (for DM54)			0.1	mA
I_{IH}	High Level Input Current	$V_{CC} = \text{Max}$, $V_I = 2.7V$			20	μA
I_{IL}	Low Level Input Current	$V_{CC} = \text{Max}$, $V_I = 0.4V$			-0.4	mA
I_{CCH}	Supply Current with Outputs High	$V_{CC} = \text{Max}$, $V_{IN} = \text{OPEN}$			3.6	mA
I_{CCL}	Supply Current with Outputs Low	$V_{IN} = \text{GND}$			6.6	mA

Note 1: All typicals are at $V_{CC} = 5V$, $T_A = 25^\circ C$.

Switching Characteristics $V_{CC} = +5.0V, T_A = +25^{\circ}C$

Symbol	Parameter	$R_L = 2\text{ k}\Omega$ $C_L = 15\text{ pF}$		Units
		Max		
		DM54	DM74	
t_{PLH}	Propagation Delay Time Low to High Level Output	24	20	ns
t_{PHL}	Propagation Delay Time High to Low Level Output	18	15	ns

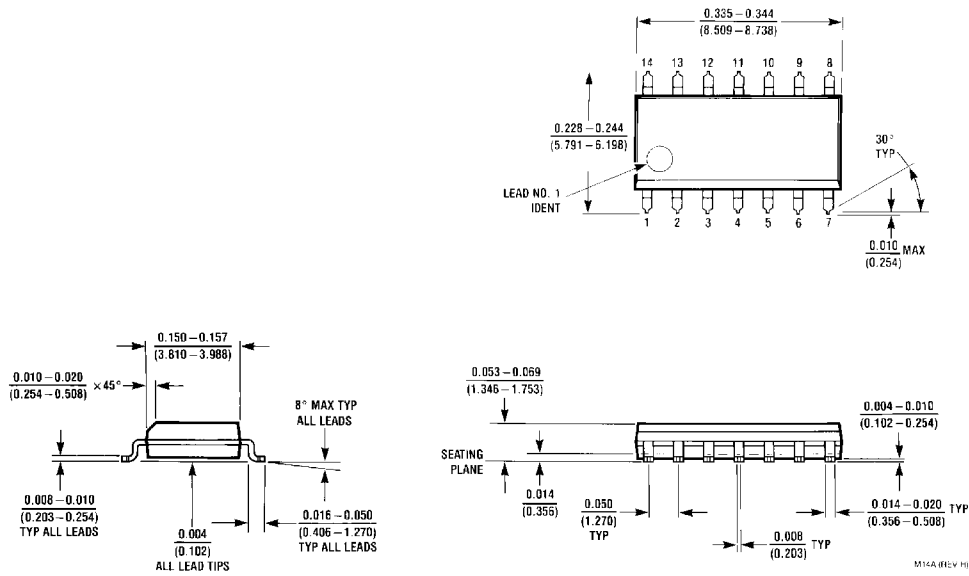
Physical Dimensions inches (millimeters)



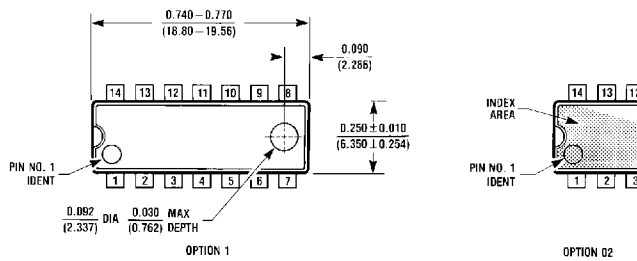
14-Lead Ceramic Dual-In-Line Package (J)
Order Number DM54LS15J
NS Package Number J14A

J14A (REV G)

Physical Dimensions inches (millimeters) (Continued)



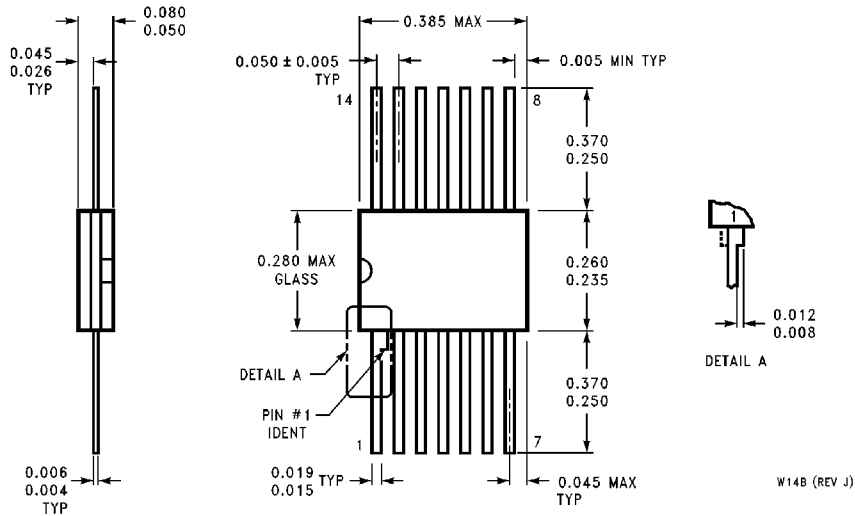
14-Lead Small Outline Molded Package (M)
Order Number DM74LS15M
NS Package Number M14A



14-Lead Molded Dual-In-Line Package (N)
Order Number DM74LS15N
NS Package Number N14A

DM54LS15/DM74LS15 Triple 3-Input AND Gate with Open-Collector Outputs

Physical Dimensions inches (millimeters) (Continued)



14-Lead Ceramic Flat Package (W)
Order Number DM54LS15W
NS Package Number W14B

W14B (REV J)

LIFE SUPPORT POLICY

NATIONAL'S PRODUCTS ARE NOT AUTHORIZED FOR USE AS CRITICAL COMPONENTS IN LIFE SUPPORT DEVICES OR SYSTEMS WITHOUT THE EXPRESS WRITTEN APPROVAL OF THE PRESIDENT OF NATIONAL SEMICONDUCTOR CORPORATION. As used herein:

1. Life support devices or systems are devices or systems which, (a) are intended for surgical implant into the body, or (b) support or sustain life, and whose failure to perform, when properly used in accordance with instructions for use provided in the labeling, can be reasonably expected to result in a significant injury to the user.
2. A critical component is any component of a life support device or system whose failure to perform can be reasonably expected to cause the failure of the life support device or system, or to affect its safety or effectiveness.



National Semiconductor Corporation
 1111 West Bardin Road
 Arlington, TX 76017
 Tel: 1(800) 272-9959
 Fax: 1(800) 737-7018

National Semiconductor Europe
 Fax: (+49) 0-180-530 85 86
 Email: onjwge@tevm2.nsc.com
 Deutsch Tel: (+49) 0-180-530 85 85
 English Tel: (+49) 0-180-532 78 32
 Français Tel: (+49) 0-180-532 93 58
 Italiano Tel: (+49) 0-180-534 16 80

National Semiconductor Hong Kong Ltd.
 13th Floor, Straight Block,
 Ocean Centre, 5 Canton Rd.
 Tsimshatsui, Kowloon
 Hong Kong
 Tel: (852) 2737-1600
 Fax: (852) 2736-9960

National Semiconductor Japan Ltd.
 Tel: 81-043-299-2309
 Fax: 81-043-299-2408

National does not assume any responsibility for use of any circuitry described, no circuit patent licenses are implied and National reserves the right at any time without notice to change said circuitry and specifications.