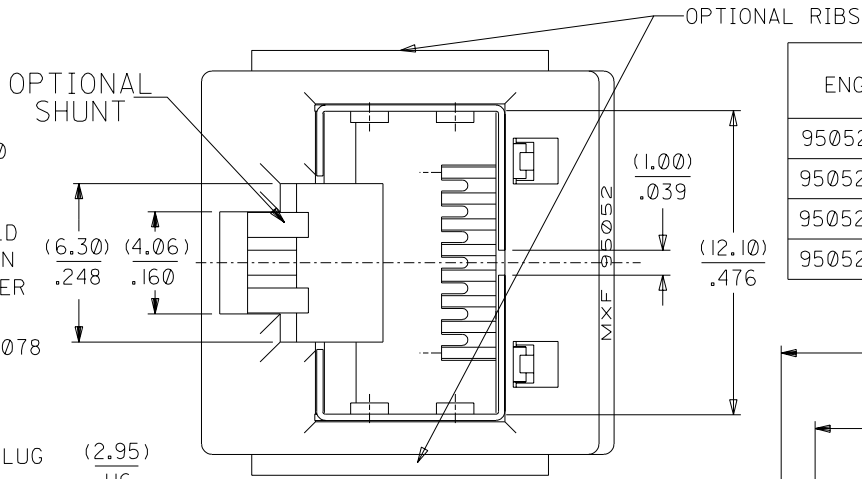


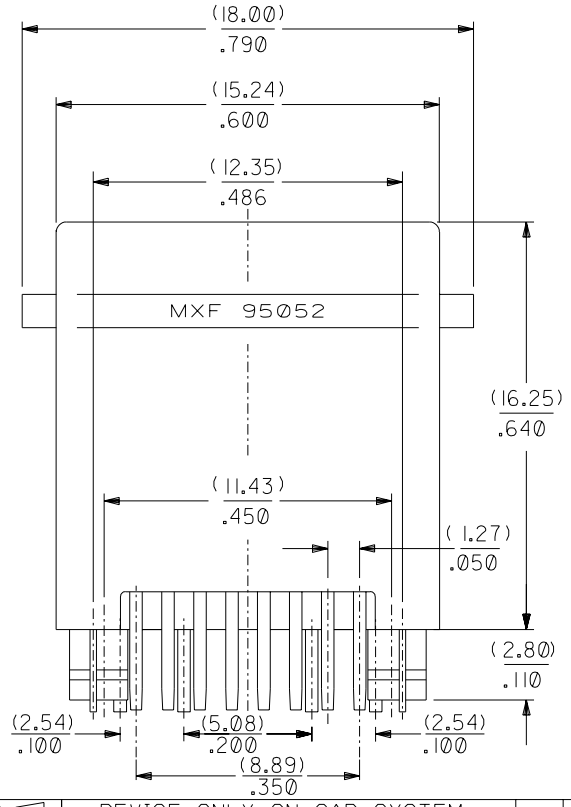
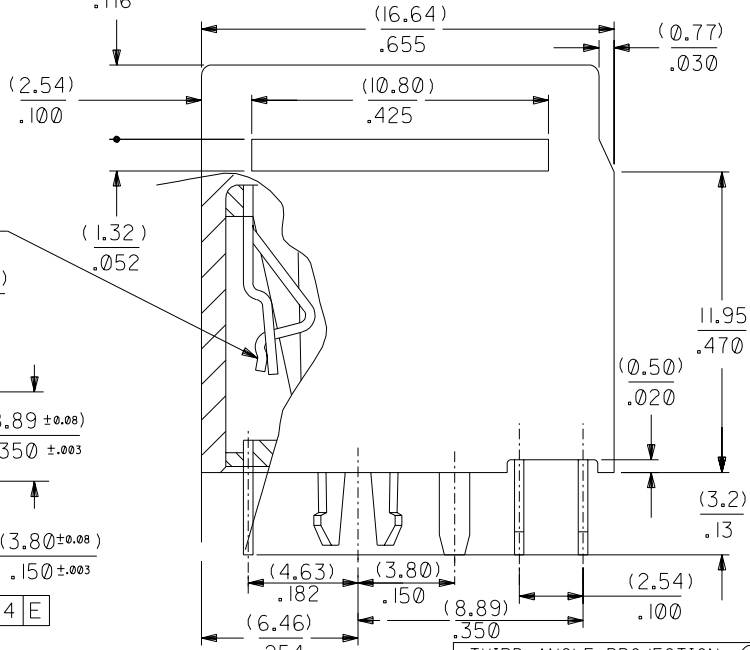
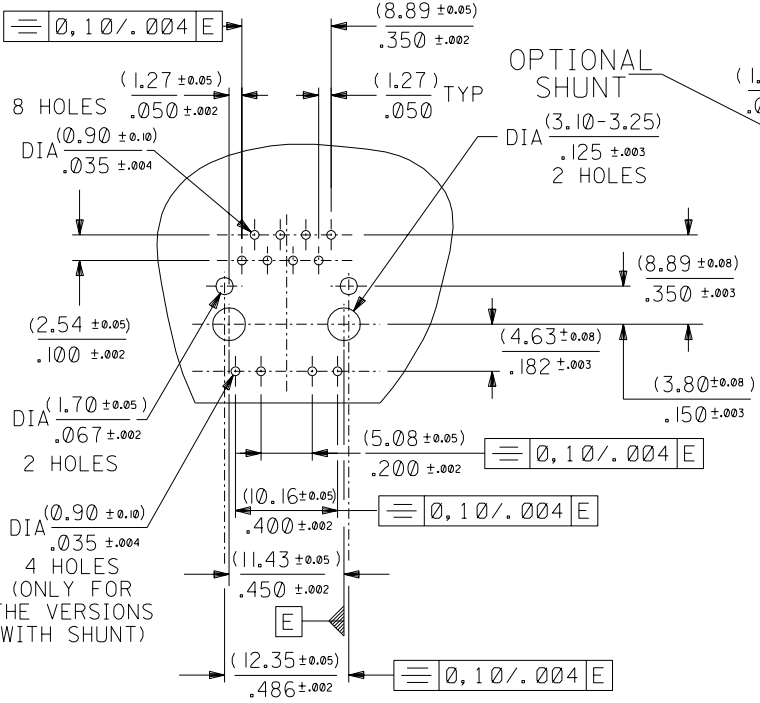
PART NO. SEE CHART SDA 95052
 DWG. NO.

NOTES :

- 1- MATERIAL : HOUSING : POLYESTER G.F. 94V0
 COLOR : BLACK
 TERMINAL : PHOSPHOR BRONZE,
 PLATED WITH (0.00127)/.000050 MIN. GOLD
 IN CONTACT AREA ,(0.00190)/.000075 MIN
 (90/10) TIN/LEAD IN TAIL AREA BOTH OVER
 (0.00127)/.000050 MIN NICKEL OVERALL
 SHIELD : BRASS PLATED WITH (0.0020)/.000078
 MIN TIN/LEAD
 SHUNT : PHOSPHOR BRONZE PLATED WITH
 (0.0020)/.000078 MIN TIN/LEAD
- 2- JACK FOR MATING WITH F.C.C. 68 TYPE PLUG
 MOLEX 95043 SERIES
- 3- P.C.BOARD THICKNESS : (1.57)/.062 .
- 4- PRODUCT SPECIFICATION PS-95040
- 5- APPLICATION SPECIFICATION AS-95001
- 6- PACKAGING SPECIFICATION PK-95022



ENG. NO.	HSG SIZE	LOADED CKTS	WITH RIBS	WITH SHUNT	TOOLED
95052-2881	8	8	NO	NO	NO
95052-2885	8	8	NO	YES	NO
95052-2886	8	8	YES	YES	NO
95052-2887	8	8	YES	NO	YES



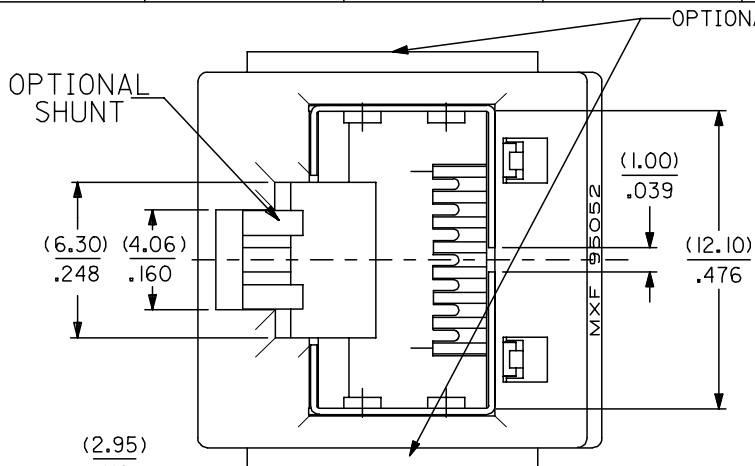
P.C.B. MOUNTING PATTERNS
 (SCALE 2 : 1)

THIRD ANGLE PROJECTION		DRWG BY	SIGN
3 PLACE ± .010 ±	INCH	MA	
2 PLACE ± .014 ± 0.25	METRIC	CB	
1 PLACE ± ± 0.35		JB	
DRAFT WHERE APPLICABLE MUST REMAIN WITHIN DIMENSIONS		SCALE	
DESIGN DIMENSION	<input checked="" type="checkbox"/> MM	5:1	
	<input type="checkbox"/> IN.		
EQUIVALENT DIMENSION	<input type="checkbox"/> MM		
	<input checked="" type="checkbox"/> IN.		

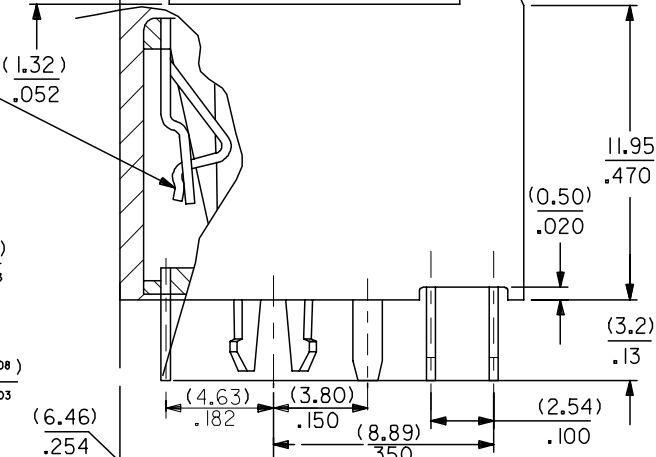
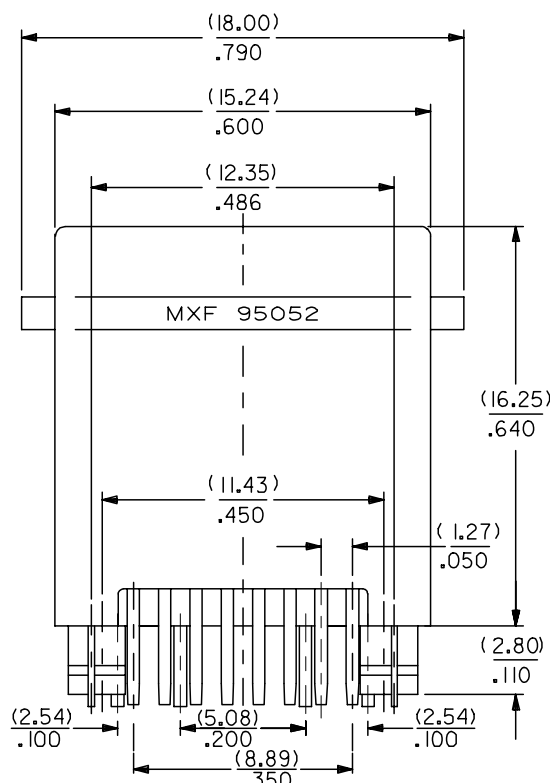
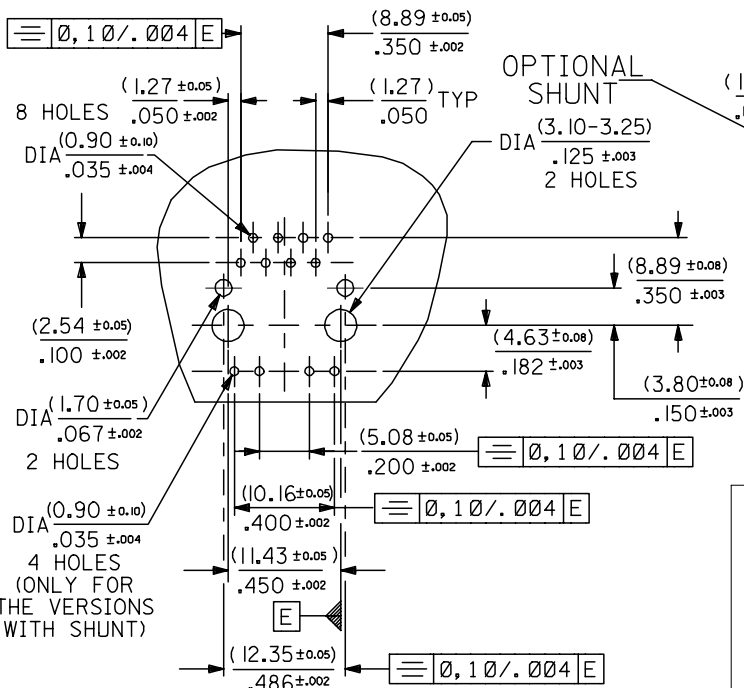
REVISIONS		REVISION ONLY ON CAD SYSTEM		SH.	REV.
ECN MG 1998-2638	98-01-26 Er	CAD/CAM PROJECT NAME	S95052X1		
		DGN			
THIS DRAWING CONTAINS INFORMATION THAT IS PROPRIETARY TO MOLEX INC. & SHOULD NOT BE USED WITHOUT WRITTEN PERMISSION					
TITLE					
TOP ENTRY SHIELDED AND SHUNTED JACK W.E. TYPE					
MOLEX MOLEX EUROPE		SHEET NO.	DATE		
		1 OF 1	92/04/28		
PART NO.	SEE CHART	DWG NO.	SDA 95052	SIZE	B

NOTES :

- 1- MATERIAL : HOUSING : POLYESTER G.F. 94V0
COLOR : BLACK
- TERMINAL : PHOSPHOR BRONZE,
PLATED WITH (0.00127)/.000050 MIN. GOLD
IN CONTACT AREA , (0.00190)/.000075 MIN
PURE TIN IN TAIL AREA BOTH OVER
(0.00127)/.000050 MIN NICKEL OVERALL
- SHIELD : BRASS PLATED WITH (0.0020)/.000078
MIN TIN
- SHUNT : PHOSPHOR BRONZE PLATED WITH
(0.0020)/.000078 MIN PURE TIN
- 2- JACK FOR MATING WITH F.C.C. 68 TYPE PLUG
MOLEX 95043 SERIES
- 3- P.C.BOARD THICKNESS : (1.57)/.062 .
- 4- PRODUCT SPECIFICATION PS-95040
- 5- APPLICATION SPECIFICATION AS-95001
- 6- PACKAGING SPECIFICATION PK-95022



ENG. NO.	HSG SIZE	LOADED CKTS	WITH RIBS	WITH SHUNT	TOOLED
95052-2881	8	8	NO	NO	NO
95052-2885	8	8	NO	YES	NO
95052-2886	8	8	YES	YES	NO
95052-2887	8	8	YES	NO	YES



REV	DESCRIPTION	QUALITY SYMBOLS	GENERAL TOLERANCES (UNLESS SPECIFIED)		DIMENSION STYLE	SCALE	DESIGN UNITS	THIRD ANGLE PROJECTION	
			mm	INCH	MM/IN	5:1	METRIC	⊙ □	
EC NO: MG2005-0180	2004/11/17	DRWN: MARTIN	4 PLACES	± ---	DRAWN BY	DATE	TITLE		
CHKD: FCARABET	2004/11/17	2004/11/17	3 PLACES	± ---	MA	1998/26/01	TOP ENTRY SHIELDED AND SHUNTED JACK W.E. TYPE		
APPR: KNOLLER	2004/11/18	2004/11/18	2 PLACES	± 0.25	CB	1998/26/01	Molex MOLEX INCORPORATED		
			1 PLACE	± 0.35	JB	1998/26/01	DOCUMENT NO. SDA-95052 SHEET NO. 1 OF 1		
			ANGULAR ± 2 °		MATERIAL NO.		SEE CHART		
			DRAFT WHERE APPLICABLE MUST REMAIN WITHIN DIMENSIONS		SIZE A3		THIS DRAWING CONTAINS INFORMATION THAT IS PROPRIETARY TO MOLEX INCORPORATED AND SHOULD NOT BE USED WITHOUT WRITTEN PERMISSION		