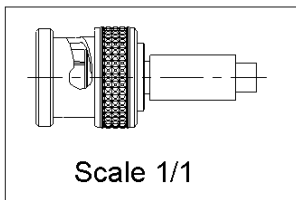
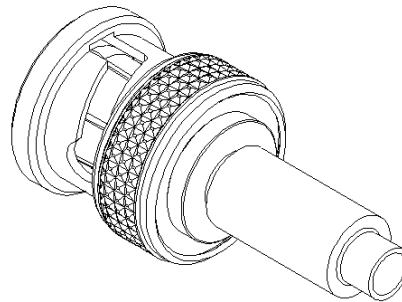
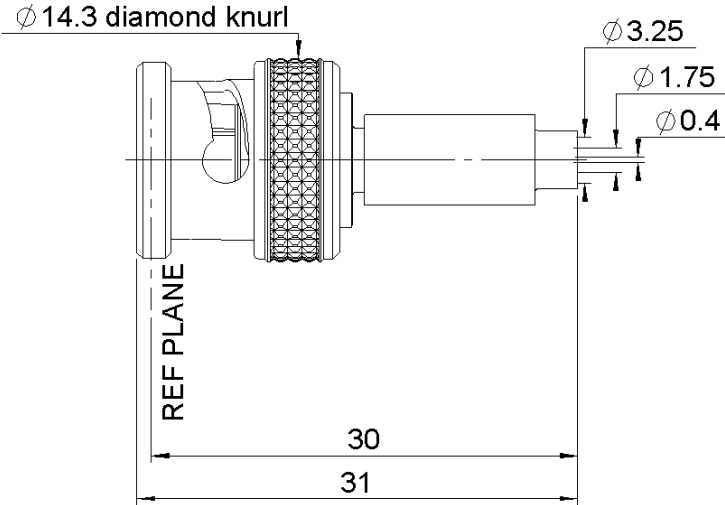


PAGE 1/2	ISSUE 1402F	SERIES <b>BNC 75-COM</b>	PART NUMBER <b>R142076161</b>
----------	-------------	--------------------------	-------------------------------



All dimensions are in mm.



COMPONENTS	MATERIALS	PLATING ( $\mu\text{m}$ )
Body	<b>BRASS</b>	<b>NICKEL</b>
Center contact	<b>BRASS</b>	<b>GOLD OVER NICKEL</b>
Outer contact	-	-
Insulator	<b>POLYPROPYLENE</b>	
Gasket	<b>SILICONE RUBBER</b>	
Others parts	<b>BRASS</b>	<b>NICKEL</b>
-	-	-
-	-	-

PAGE 2/2	ISSUE <b>1402F</b>	SERIES <b>BNC 75-COM</b>	PART NUMBER <b>R142076161</b>
----------	--------------------	--------------------------	-------------------------------

**PACKAGING**

Standard <b>100</b>	Unit <b>Contact us</b>	Other <b>Contact us</b>
------------------------	---------------------------	----------------------------

**ELECTRICAL CHARACTERISTICS**

Impedance	<b>75</b>	Ω
Frequency	<b>0-3</b>	GHz
VSWR	<b>1.40 + 0.0000</b>	x F(GHz) Maxi
Insertion loss	<b>0.115</b>	√F(GHz) dB Maxi
RF leakage	<b>NA</b>	- F(GHz)) dB Maxi
Voltage rating	<b>335</b>	Veff Maxi
Dielectric withstanding voltage	<b>1000</b>	Veff mini
Insulation resistance	<b>5000</b>	MΩ mini

**MECHANICAL CHARACTERISTICS**

Center contact retention			
Axial force – Mating End	<b>10</b>	N mini	
Axial force – Opposite end	<b>10</b>	N mini	
Torque	<b>NA</b>	N.cm mini	
Recommended torque			
Mating	<b>NA</b>	N.cm	
Panel nut	<b>NA</b>	N.cm	
Clamp nut	<b>NA</b>	N.cm	
A/F clamp nut	<b>0.0000</b>	mm	
Mating life	<b>100</b>	Cycles mini	
Weight	<b>10.0000</b>	g	

**ENVIRONMENTAL**

Operating temperature	<b>-35/+70</b>	°C
Hermetic seal	<b>NA</b>	Atm.cm3/s
Panel leakage	<b>NA</b>	

**SPECIFICATION**

**CABLE ASSEMBLY**

Stripping	a	b	c	d	e	f
mm	<b>4</b>	<b>10</b>	<b>18.5</b>	<b>0</b>	<b>14.5</b>	<b>0</b>

Assembly instruction: **Crimp 03**

Recommended cable(s)

**RG 179**  
**RG 187**  
**CAE HD 03140**

Characteristics indicated on this data sheet are those that can be achieved with the highest performance cable. Intrinsic limitations of the cable may diminish the performance of the assembly

Cable retention

- pull off	<b>40</b>	N mini
- torque	<b>NA</b>	N.cm

**TOOLING**

Part Number	Description	Hexagon
R282235011	CRIMPING DIES M22520/5-11	1.73 - 5.41
R282293000	CRIMPING TOOL M22520/5-01	-
R282223000	CRIMPING TOOL	1.73 - 5.41

**OTHER CHARACTERISTICS**

-