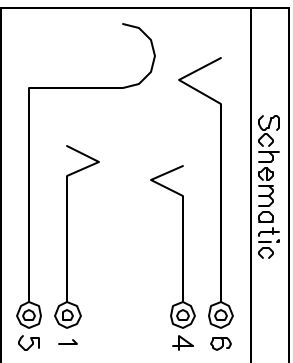
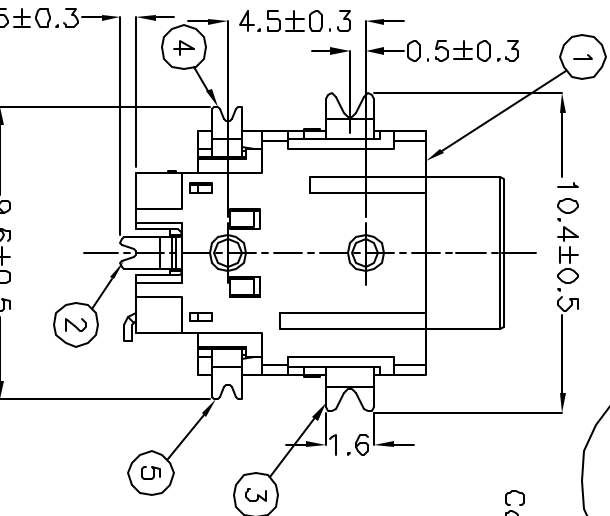
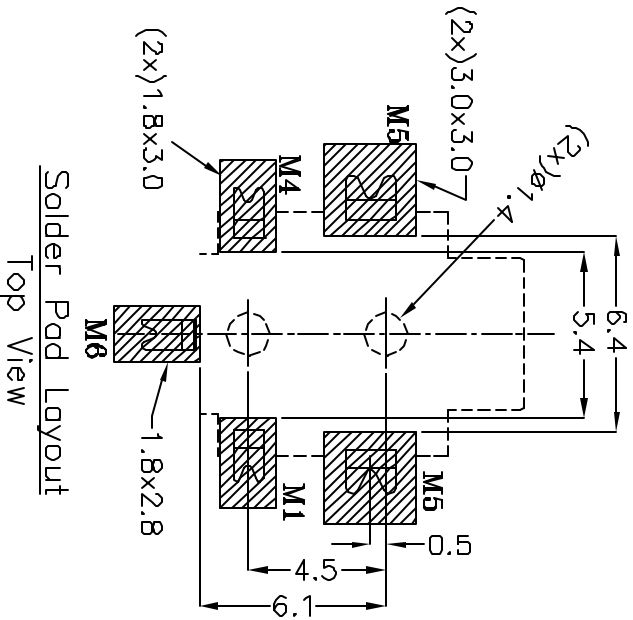


0.15mm
Coplanarity



Item	Name	Material	Finish	Qty	Note
5	Tip(M4)	Cu-Ti	Silver	1	25T
4	Ring(M1)	PBS(5210)	Silver	1	20T
3	Extra Ring(M5)	PBS(5210)	Silver	1	20T
2	Ground(M6)	PBS(5210)	Silver	1	20T
1	Housing(P1)	NY6T/NY9T		1	



9615 SW Allen, Suite 103
Beaverton, OR 97005
Phone: (503) 643-4899
800-275-4899
Fax: (503) 372-1266
Website: www.cui.com

Specifications
 Rated Voltage: 16 VDC
 Rated Current: 300MA
 Contact Resistance: 100 mOHMS or less under all conditions including after life testing.

Insulation Resistance: 100 M OHMS or greater at 500 VDC.
 Dielectric Withstand Voltage: 500V AC RMS for 1 minute
 Life: 5,000 cycles min.

Solder Pad Layout
Top View

Bottom View