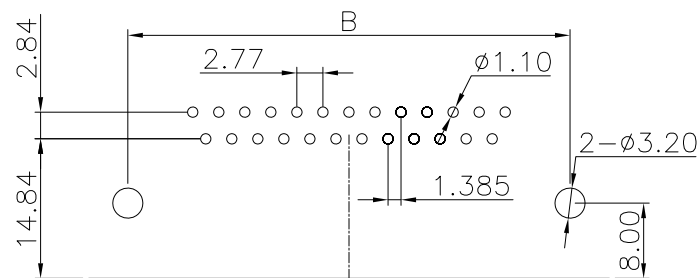
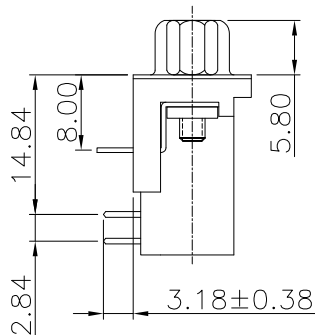
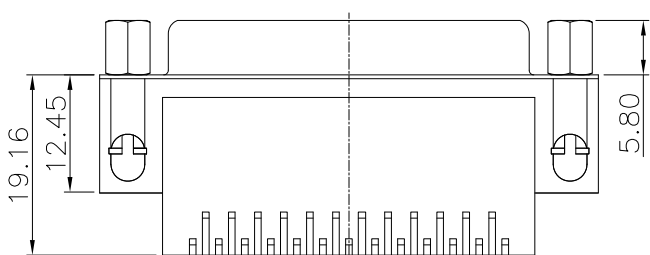
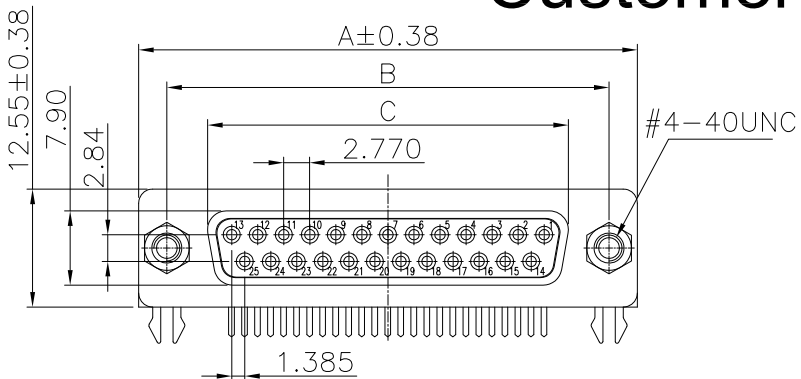


This document is the property of Amphenol Corporation and is delivered on the express condition that it is not to be disclosed, reproduced or used, in whole or in part, for manufacture or sale by anyone other than Amphenol Corporation without its prior consent, & that no right is granted to disclose or to use any information in this document.

Customer drawing



RECOMMENDED P.C.B LAYOUT
(TOLERANCE +/-0.05)

Dimensions

Positions	A	B	C
9	30.81	24.99	16.33
15	39.19	33.32	24.66
25	53.04	47.04	38.38
37	69.32	63.50	54.84



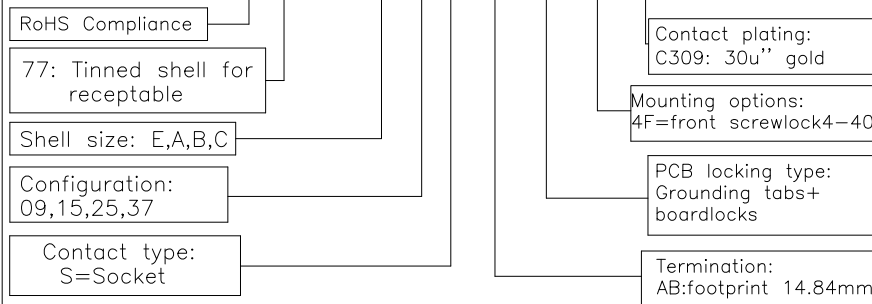
REVISIONS				
SYM	ECN	DESCRIPTION	DATE	APPROVED
1	HK--	First Release Drawing	03/20/09	IP
2	HK--	Update the Drawing	12/03/10	IP
3	HK--	Update the drawing	09/09/13	IP

D-SUB TECHNICAL DATA

SHELL : SPCC, 100u" Tin Over 50u" min nickel over 50u" min Copper
 BODY : PBT, UL 94V-0, Color:Black.
 CONTACTS : Copper Alloy.
 30u" gold over 50u" min nickel on mating area.
 100u" min tin over 50u" min nickel on solder area
 BOARDLOCK : Copper Alloy, Tin Plated.
 RIVET : Copper Alloy. Nickel Plated.
 SCREW: Copper Alloy. Nickel Plated.
 ELECTRICAL : Voltage rating :250 VAC(RMS) Max
 Current rating :3A
 Withstanding Voltage >1000 VAC(RMS)
 Insulation resistance >1000 M Ohms
 Contact resistance 25 mOhms max.
 MARKING : Amphenol...(Series No.)
 Commercial reference
 Manufacturing date

PRODUCT CODE

L 77 SD X XX S AB CH 4F C309



UNLESS OTHERWISE SPECIFIED TOLERANCES		APPROVAL		DATE
U.S.	METRIC	DRAWN	Checked	
.X +/-	0.50	Felix Liu		09/09/13
.XX +/-	0.30	Tony Tang		09/09/13
.XXX +/-	0.20	CHECKED		
FRACTIONS +/-	5'	DRAWING FILE :		
ANGLES +/-		ANGLE OF PROJECTION		
REMOVE SHARP EDGES		DIMENSIONS		
U.S.	INCHES	DRAWING NO.		
METRIC	MM	SCALE NONE		

Amphenol		REV.
Amphenol East Asia Limited		3
TITLE		
Stamped and formed contact,SD series		
SIZE	DRAWING NO.	REV.
A4	C L77SDXXXSABCH4FC309	3
SCALE	NONE	SHEET 1 OF 1