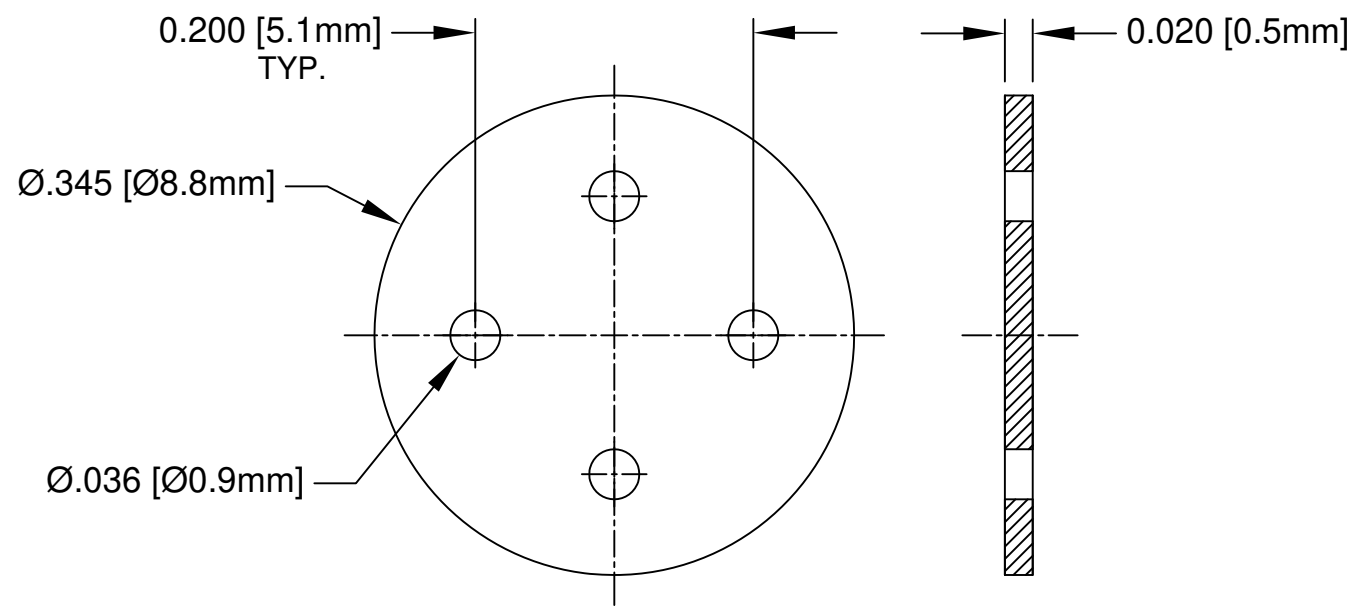




REV.	DESCRIPTION	DATE	APPROVED
B	Engineering Update w/o Changes	02/23/04	M. C.
C	Removed Material Code	05/22/16	J. C.



- 2. MATERIAL: NYLON 6/6, 94V-2, WHITE.
- 1. GENERAL SPECIFICATIONS: BIVAR MOLDED COMPONENT SPECIFICATION BV00-E101.

STANDARD TOLERANCE (UNLESS OTHERWISE SPECIFIED)		 4 THOMAS, IRVINE, CA. 92618 TEL: (949) 951-8808 FAX: (949) 951-3974				
DECIMALS	ANGULAR					
.X ± .1	X° ± 1°		TITLE: PERM-O-PAD TO-5 MOUNT			
.XX ± .01			DESIGNED: S. Irving	DATE: 12/08/98	PART NO: 515-020	REVISION: C
.XXX ± .005			CHECKED: D. Green	DATE: 02/23/04	CAGE CODE : 32559	SHEET # 1 OF 1