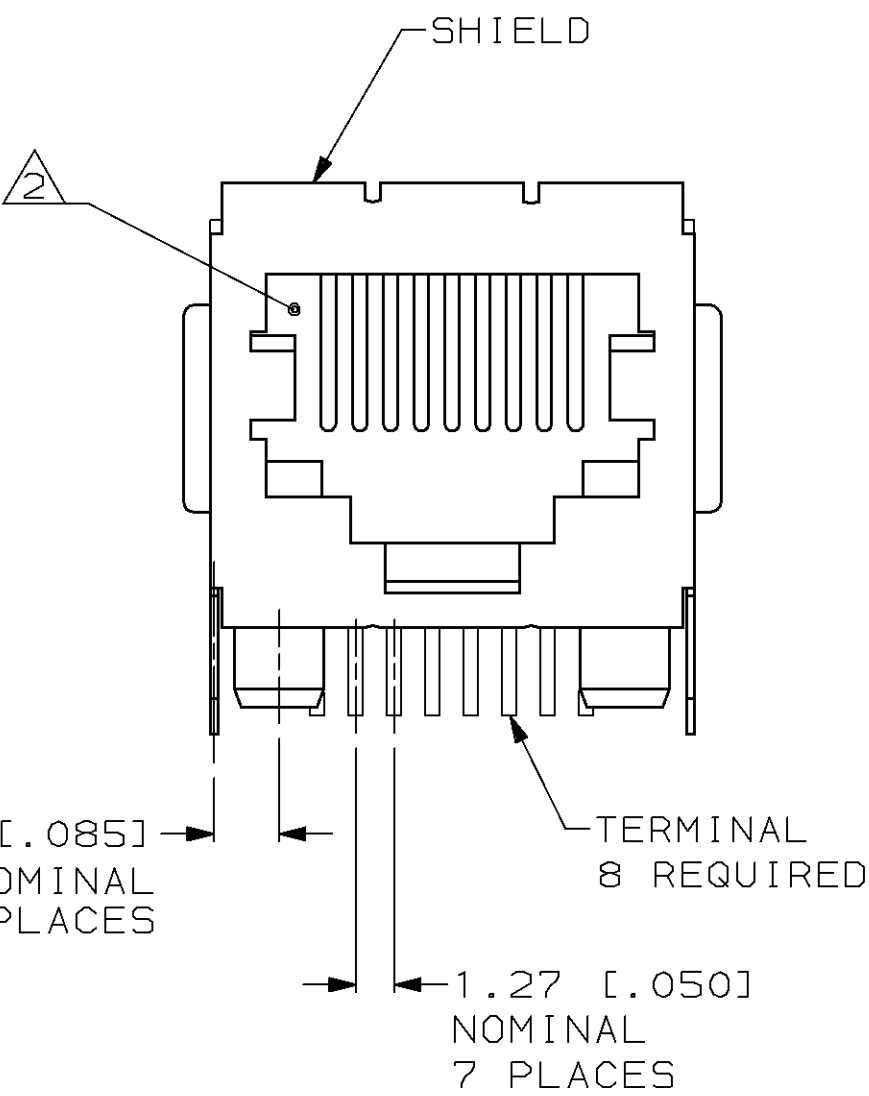
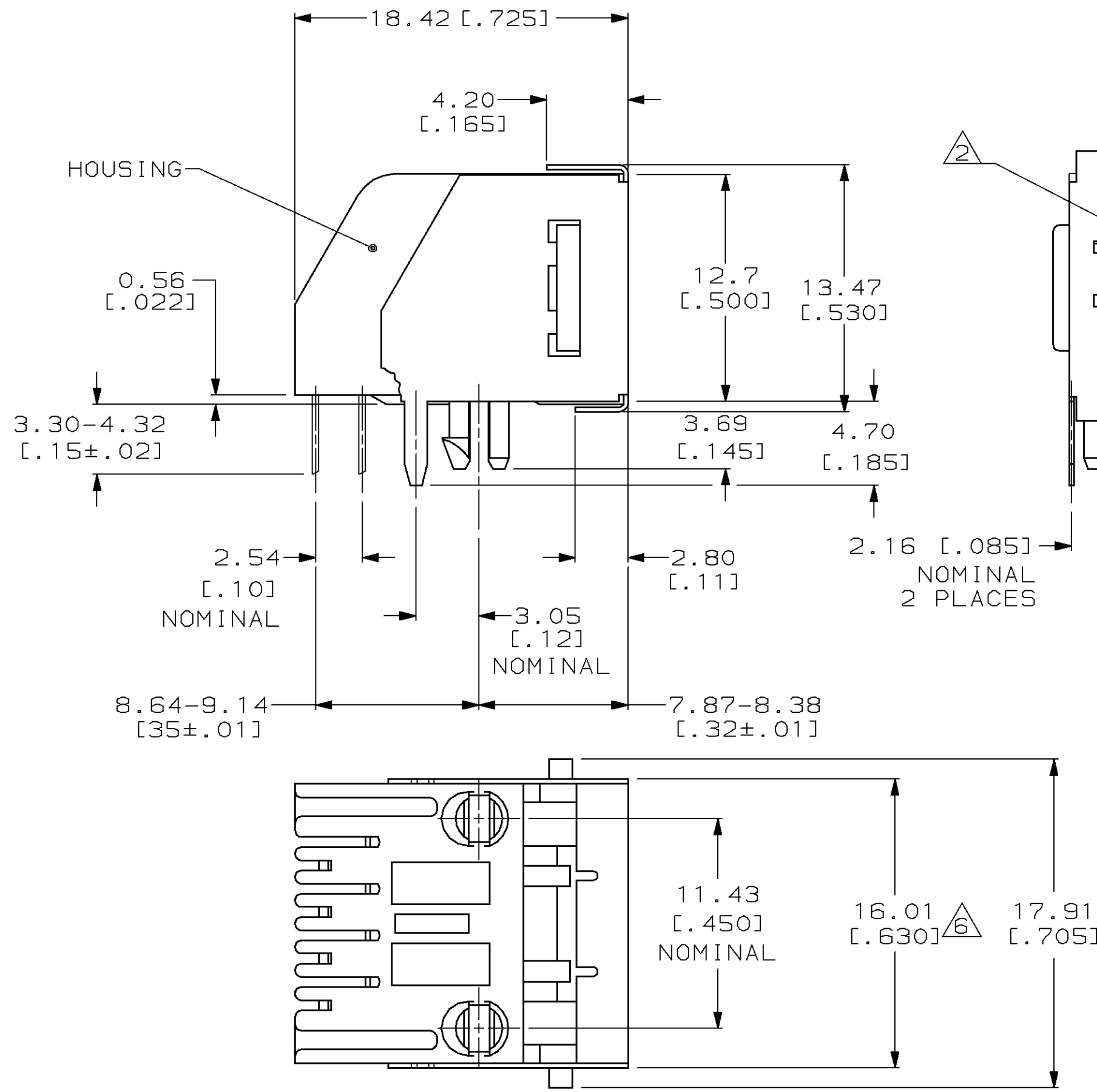
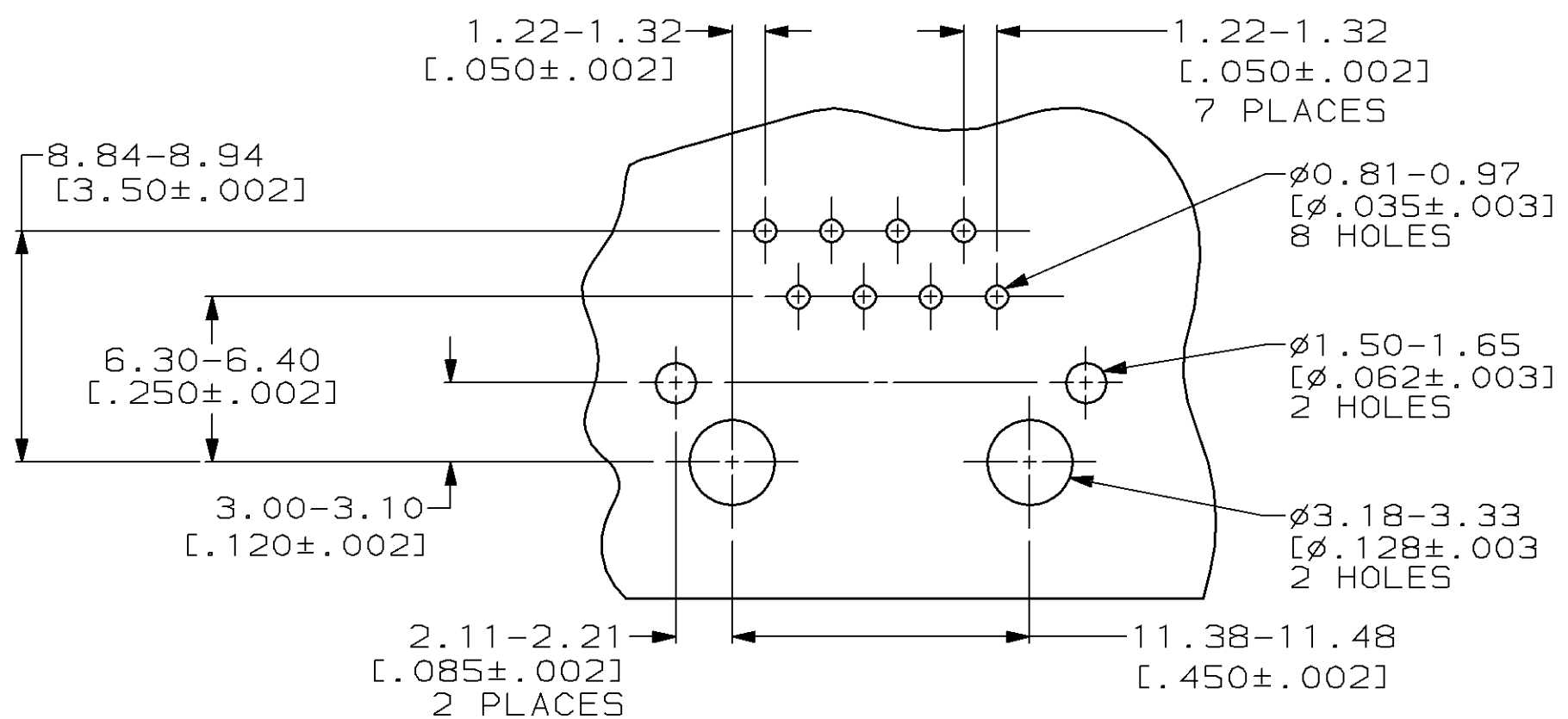
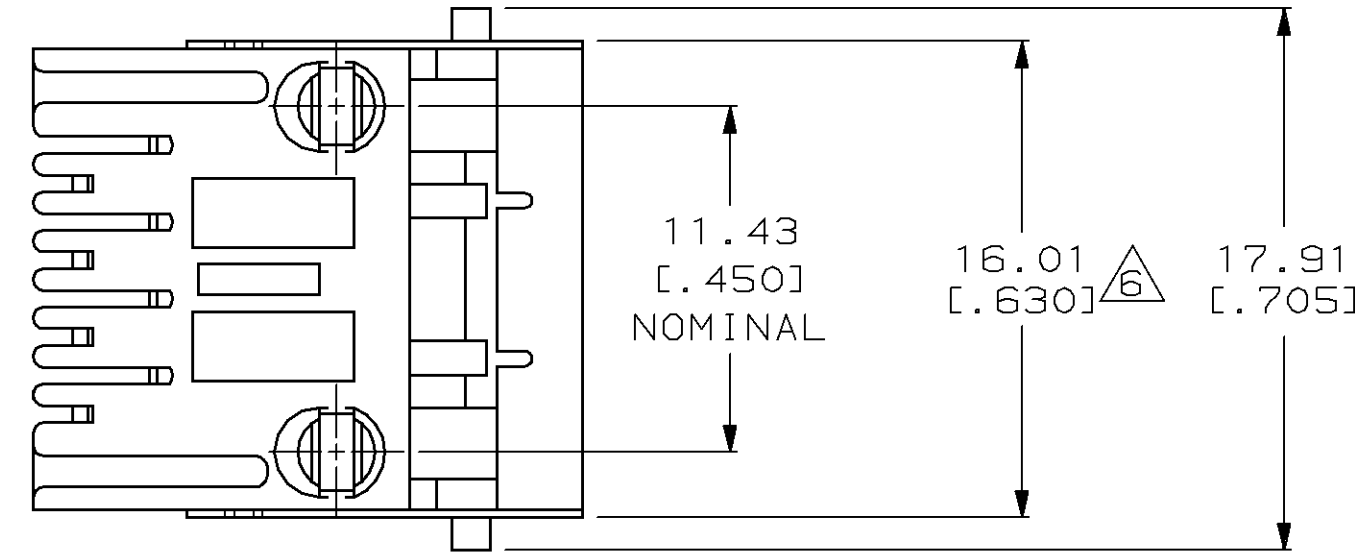


LOC	DIST	P	F	REVISIONS			DATE	APPD
AA	22			ZONE	LTR	DESCRIPTION		
				A		REV; EC 0210-0442-95	11-9-95	DS JT



- 1. MATERIAL: HOUSING - PBT POLYESTER, BLACK.  
 TERMINAL - 0.35 [.0138] THICK PHOS-BRONZE PLATED WITH 1.27µm [.000050] THICK HARD GOLD IN LOCALIZED GOLD PLATE AREA AND 2.03µm [.000080] MINIMUM THICK TIN LEAD IN SOLDER AREA OVER 1.27µm [.000050] MINIMUM THICK NICKEL UNDERPLATE.  
 SHIELD - 0.25 [.010] THICK COPPER ALLOY, TIN-LEAD PLATE.
- 2. CAVITY CONFORMS TO FCC RULES AND REGULATIONS PART 68, SUBPART F.
- 3. FOR APPLICATION INFORMATION SEE AMP SPECIFICATION 114-2048.
- 4. FOR PERFORMANCE REQUIREMENTS SEE AMP SPECIFICATION 108-1163.
- 5. ALL DIMENSIONS ARE MAXIMUM UNLESS OTHERWISE SPECIFIED.
- 6. DIMENSION APPLIES TO AREA IN FRONT OF PANEL STOPS ONLY.



THIS DRAWING IS A CONTROLLED DOCUMENT FOR AMP INCORPORATED. IT IS SUBJECT TO CHANGE AND THE CONTROLLING ENGINEERING ORGANIZATION SHOULD BE CONTACTED FOR THE LATEST REVISION.

DO NOT SCALE PRINT. UNLESS SPECIFIED DIMENSIONS IN mm [INCHES] TOLERANCES ON:		DR 2-11-94 D. STRAUSSER		558250-1 PART NO	
2 PLC DEC ± 5		CHK 2-22-94 C. WHITT		AMP Incorporated Harrisburg, PA 17105-3608	
3 PLC DEC ±		APPD 2-28-94 J. TONEY		NAME MODULAR JACK ASSEMBLY, SHIELDED, 8 POSITION, LOW PROFILE, RIGHT ANGLE, PCB GROUND	
ANGLES ±		APPD 2-28-94 H. McGRATH		SIZE C 00779	
MATERIAL 1		PRODUCT SPEC -		DRAWING NO C=558250	
FINISH 1		APPLICATION SPEC -		SCALE 4:1	
WEIGHT -		CAGE CODE 00779		SHEET 1 OF 1	