

"FCI" Marking

**MATERIAL:**

- Hood: Black Thermoplastic UL94 HB
- Strain Relief Clamp: Black Thermoplastic
- Screws: Steel, Blackened

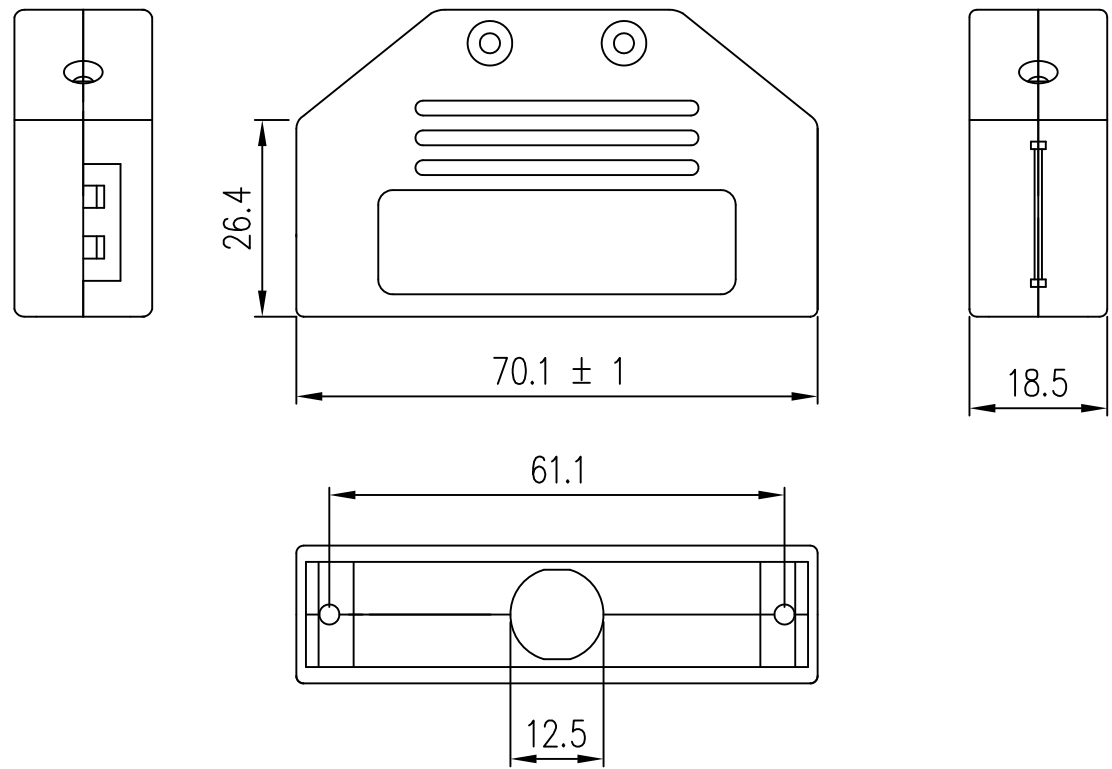
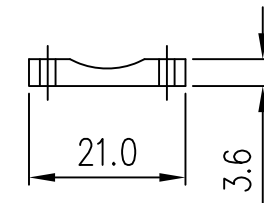
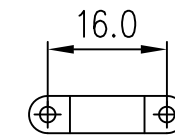
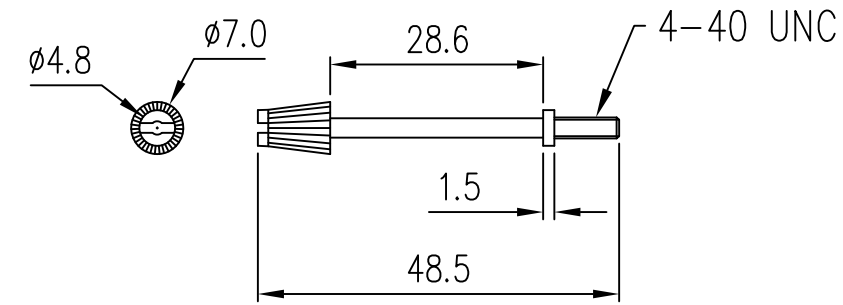
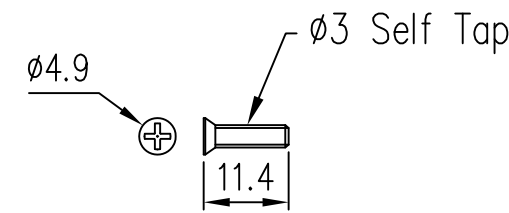
**TEMPERATURE RANGE:**

- Climatic category : -35°/ +85°C

**PACKAGING:**

- Box of 100 individual sets
- One set contains 1 pc each Hood & Strain Relief, 2 pcs each Clamp Screw & Jack Screw in unassembled condition

PART NUMBER	86303641CLF
-------------	-------------



**RoHS INFORMATIONS:**

- These products meet European union Directives and other country regulations as described in GS-47-0004
- Packaging spec: see GS-14-920

mat'l. code		surface ISO 1302 ✓		tolerance ISO 406 ISO 1101		projection		product family D-SUB	
ltr	ecn no	dr	date	tolerances unless otherwise specified		mm		title	
A	-	MP	2015/10/27	angles	linear	.0±.7		PLASTIC SNAP TOGETHER HOOD	
B	ELX-I-22496	MP	2015/11/13	0°±2°		.00±.35		D-SUB ACCESSORIES	
						.000±.15		scale 1:1	
				dr		MITHUN PAUL 2015/10/27		dwg no	
				engr		MITHUN PAUL 2015/10/27		sheet 1 of 1	
				chr		ALIAS BABU 2015/10/27		10136877	
				appd		BIJU K PAUL 2015/10/27		A3	
sheet index		revision sheet		B				type Product Customer Drawing	
		1							



Copyright FCI