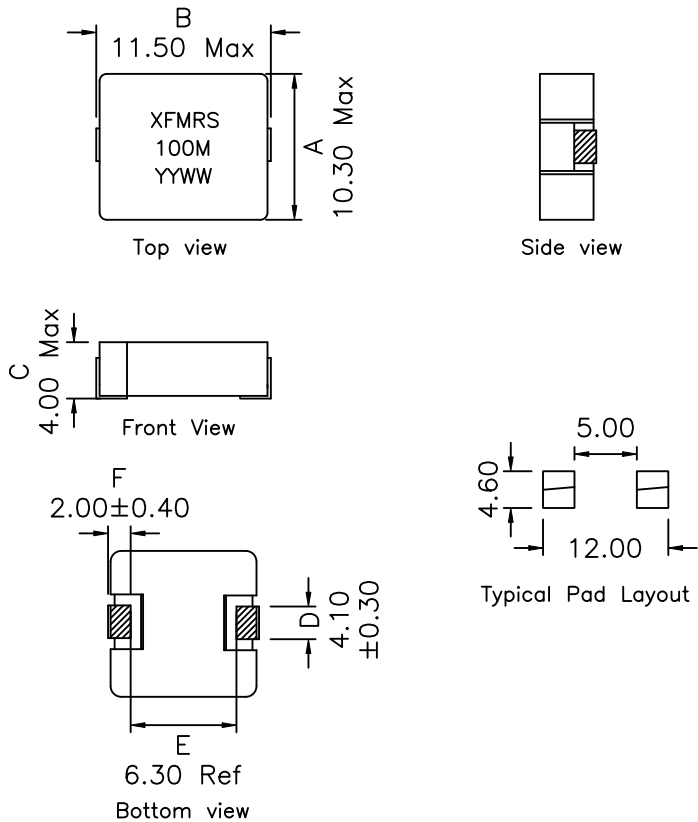
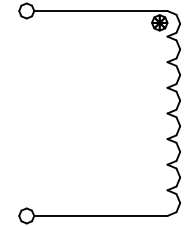


1. Mechanical Dimensions:



2. Schematic:



3. Electrical Specifications: @25°C

OCL: 10uH±20% @100KHz, 0.25V

Q: 12 Min @100KHz, 0.25V

DCR: 37.5 mOhms Typ 42.0 mOhms Max

Isat: 8.0A (Based on 20% Typ drop in OCL)

Irms: 5.0A (Based on 40°C Typ Temp Rise)

SRF: 12MHz Typ

Notes:

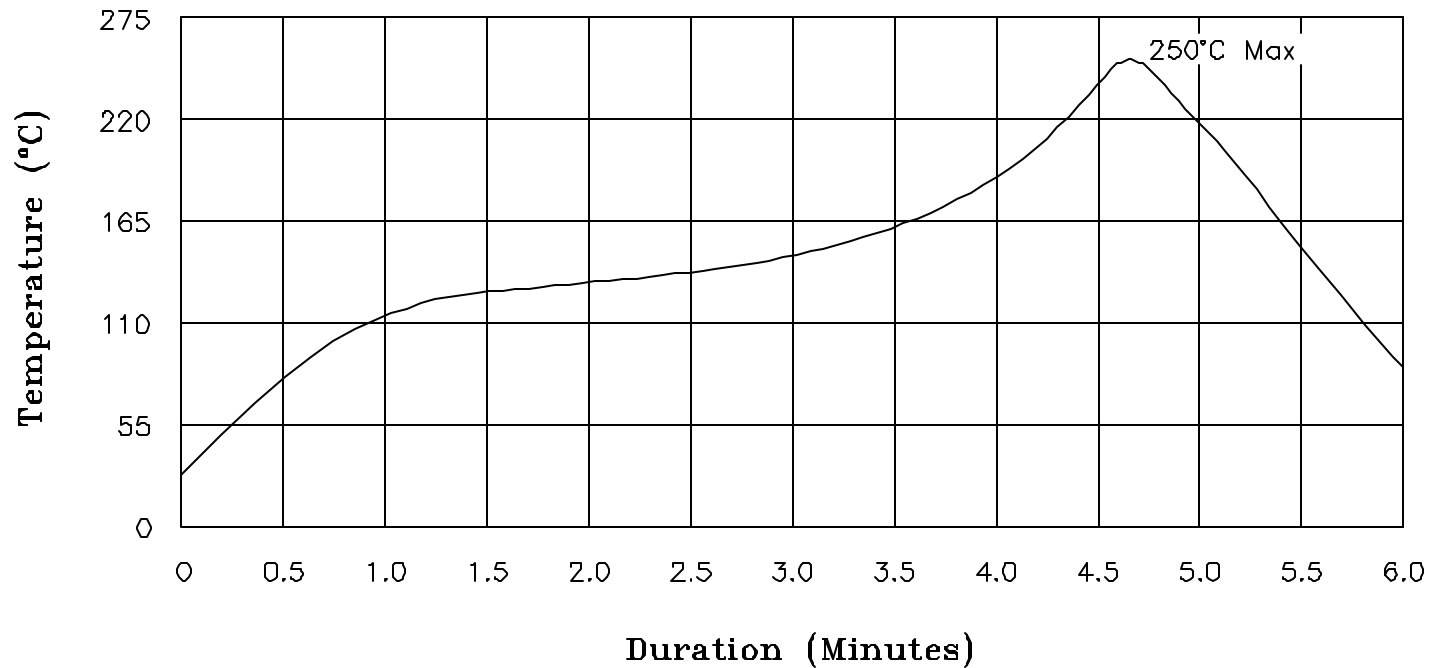
1. Solderability: Leads shall meet MIL-STD-202G, Method 208H for solderability.
2. Flammability: UL94V-0
3. ASTM oxygen index: > 28%
4. Insulation System: Class F 155°C. UL file E151556
5. Operating Temperature: -55°C to +125°C
(Includes temperature when the coil is heated)
Ambient temperature: -40°C to +85°C
6. Storage Temperature Range: -20°C to +40°C
7. Aqueous wash compatible
8. SMD Lead Coplanarity: 0.004"(0.102mm) Max
9. Electrical and mechanical specifications 100% tested
10. RoHS Compliant Component
11. Recommended IR Reflow peak temp of 250C Max.
12. Outsourced item processed & controlled under XFMRs QA system

DOC. REV: A/3

XFMRs® www.XFMRs.com		Title: XFHCL11 SERIES INDUCTORS	
UNLESS OTHERWISE SPECIFIED TOLERANCES: .xx ±0.25 Dimensions in MM	P/N: XFHCL11-100M		REV. A
	DWN.	Huo	Jul-20-21
SHEET 1 OF 1	CHK.	YK Liao	Jul-20-21
	APP.	TCH	Jul-20-21

XFMRs

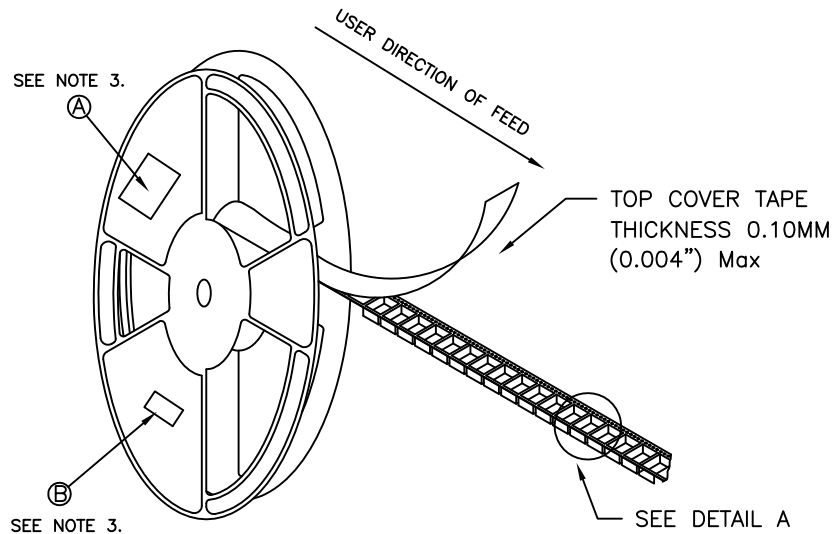
Recommended Infrared Reflow Temperature Profile for Select Parts



NOTES: Maximum duration at 250°+0/-5° shall be 10-15 seconds.
 Maximum duration above 217° shall be 50-120 seconds.
 ALL Temperatures refer to topside of the package, measured on the package body surface.

XFMRs Inc www.XFMRs.com	Title: IR REFLOW CHART (250°C)		
	UNLESS OTHERWISE SPECIFIED TOLERANCES: N/A		P/N: N/A
SHEET 1 OF 1	DWN.	Juan Mao	Dec-20-06
	CHK.	YK Liao	Dec-20-06
	APP.	Joe Huff	Dec-20-06

TAPE AND REEL SPECIFICATION:



REEL AND TAPE ORIENTATION

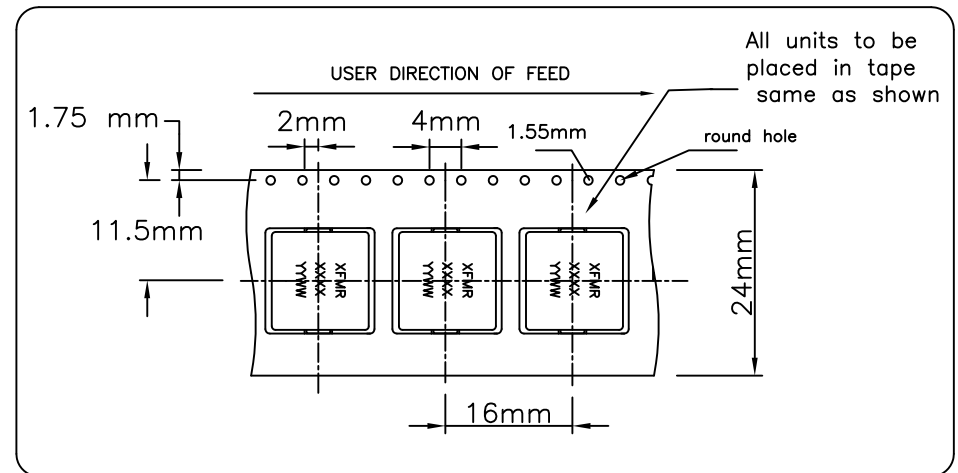
13" REEL DIAMETER

FOR ALL XFHCL11-XXXX SERIES

NOTES:

- 1) PROCESS IN ACCORDANCE WITH EIA-481-2 STANDARDS
 - * TAPE LEADER DIMENSION 15.30" MIN.
 - * TAPE TRAILER DIMENSION 6.30" MIN.
- 2) PARTS SHOULD BE PACKAGED IN ACCORDANCE WITH ESD GUIDELINES IN EIA-541.
- 3) REEL LABEL: 'A' * PART NUMBER
 - * QUANTITY
 - * DATE CODE
- 4) 500PCS PER 13" REEL

DETAIL A



DOC. REV. A/2

XFMRs Inc	Title: T&R SPEC		
	UNLESS OTHERWISE SPECIFIED		P/N: XFHCL11 series
TOLERANCES:		DWN.	Kong
.xxs ±xxxxx		CHK.	YK Liao
Dimensions in mm		APP.	GL
SHT 1 OF 1		REV: A	Oct-31-17
			Oct-31-17
			Oct-31-17

PROPRIETARY

Document is the property of XFMRs Group & is not allowed to be duplicated without authorization.